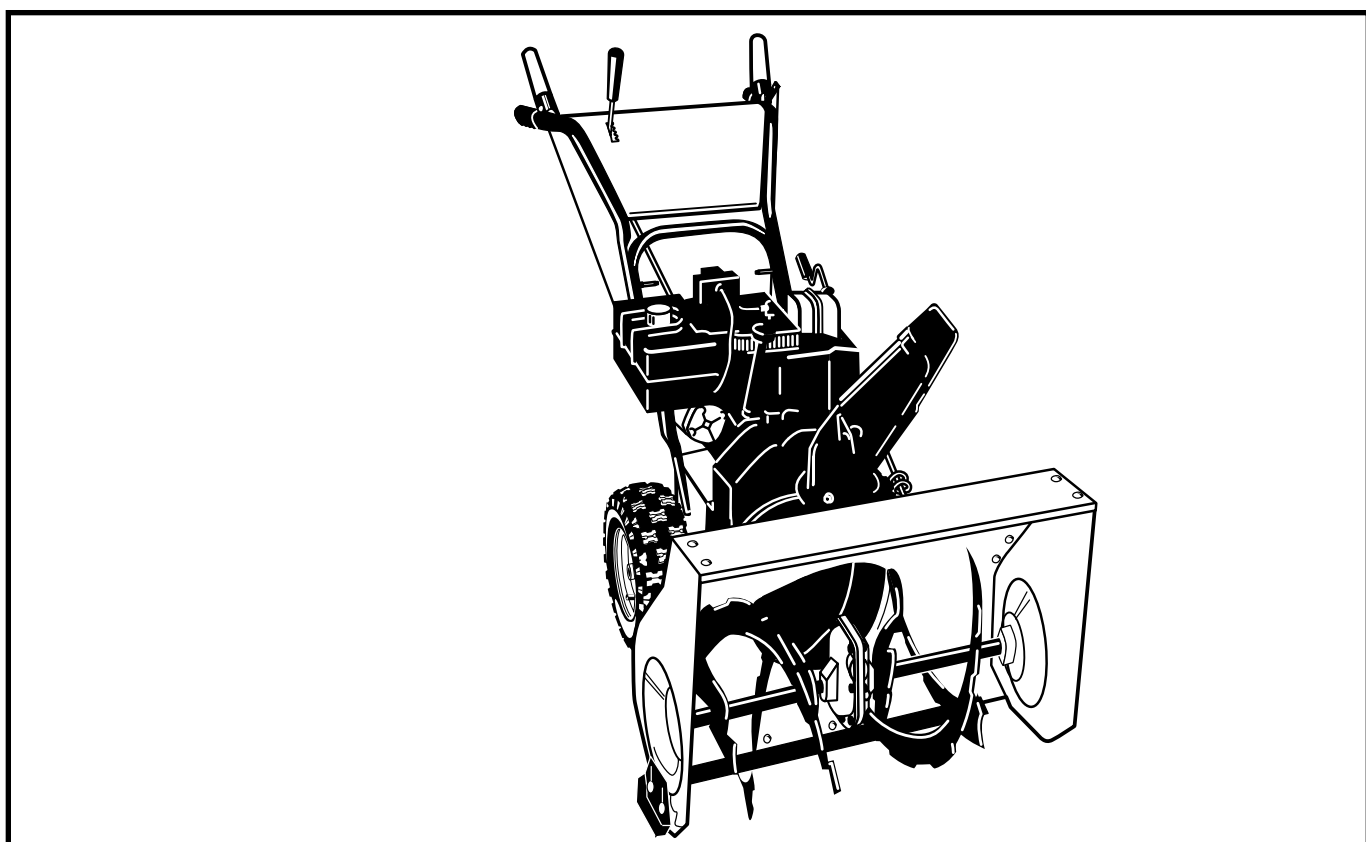


ST724



1.1996

Spare Parts

Pièces Détachées

SAFETY RULES

ALWAYS DISCONNECT SPARK PLUG WIRE AND PLACE WIRE WHERE IT CANNOT CONTACT SPARK PLUG TO PREVENT ACCIDENTAL STARTING WHEN SETTING-UP, TRANSPORTING, ADJUSTING OR MAKING REPAIRS.

IMPORTANT

SAFETY STANDARDS REQUIRE OPERATOR PRESENCE CONTROLS TO MINIMIZE THE RISK OF INJURY. YOUR SNOW THROWER IS EQUIPPED WITH SUCH CONTROLS. DO NOT ATTEMPT TO DEFEAT THE FUNCTION OF THE OPERATOR PRESENCE CONTROL UNDER ANY CIRCUMSTANCES.

BEFORE USE

- **Read the Owner's Manual carefully.** Be thoroughly familiar with the controls and the proper use of the snow thrower. Know how to stop the snow thrower and disengage the controls quickly.
- Do not operate the snow thrower without wearing adequate winter outer garments. Wear footwear that will improve footing on slippery surfaces.
- Keep the area of operation clear of all persons, particularly small children, and pets.
- Thoroughly inspect the area where the snow thrower is to be used and remove all doormats, sleds, boards, wires, and other foreign objects.
- Use extension cords and receptacles as specified by the manufacturer for all snow throwers with electric drive motors or with factory-installed or optional starting motors.
- Use only attachments and accessories approved by the manufacturer of the snow thrower (**such as electric starter kits, etc.**).
- Never operate the snow thrower without good visibility or light. Always be sure of your footing, and keep a firm hold on the handles. Walk; never run.
- This snow thrower is for use on sidewalks, driveways, and other ground level surfaces. **Do not attempt to clear on steep sloping surfaces. DO NOT USE SNOW THROWER ON SURFACES ABOVE GROUND LEVEL** such as roofs of residences, garages, porches or other such structures or buildings.
- Check all bolts at frequent intervals for proper tightness to be sure the snow thrower is in safe working condition.
- Disengage clutch and shift into neutral before starting the engine.
- Let engine and snow thrower adjust to outdoor temperatures before starting to clear snow.

FUEL SAFETY

- Handle fuel with care; it is highly flammable.
- Use an approved fuel container.
- Check fuel supply before each use, allowing space for expansion as the heat of the engine and/or sun can cause fuel to expand.
- Fill fuel tank outdoors with extreme care. Never fill fuel tank indoors.
- Replace fuel tank cap securely and wipe up spilled fuel.
- Never remove fuel tank cap or add fuel to a running engine or hot engine.
- Never store fuel or snow thrower with fuel in the tank inside a building where fumes may reach an open flame or spark.

OPERATING SAFETY

- **Do not put hands or feet near or under rotating parts. Keep clear of the discharge opening at all times.**
- **Never operate the snow thrower without proper guards, plates or other safety protective devices in place.**
- **Never allow children or young teenagers to operate the snow thrower and keep them away while it is operating. never allow adults to operate the snow thrower without proper instruction.**
- Always wear safety glasses or eye shields during operation or while performing an adjustment or repair to protect eyes from foreign objects that may be thrown from the snow thrower.
- Exercise extreme caution when operating on or crossing gravel drives, walks, or roads. Stay alert for hidden hazards or traffic.
- Exercise caution to avoid slipping or falling, especially when operating in reverse or backing up.
- Do not clear snow across the face of slopes. Exercise caution when changing direction on slopes. Do not attempt to clear steep slopes.
- Never operate the snow thrower without proper guards, plates or other safety protective devices in place.
- Never operate the snow thrower near glass enclosures, automobiles, window wells, drop-offs, and the like without proper adjustment of the snow discharge angle. Keep children and pets away.
- Never operate the snow thrower at high transport speeds on slippery surfaces. Look behind and use care when backing.
- Do not run the engine indoors, except when starting the engine and for transporting the snow thrower in or out of the building. Open the outside doors; exhaust fumes are dangerous (containing **CARBON MONOXIDE**, an **ODORLESS** and **DEADLY GAS**).
- Take all possible precautions when leaving the snow thrower unattended. Disengage the auger/impeller, stop engine, and remove key.
- Do not overload the machine capacity by attempting to clear snow at too fast a rate.
- Never direct discharge at bystanders or allow anyone in front of the unit.

SAFETY RULES

SAFE STORAGE

- Always refer to Owner's Manual instructions for important details if the snow thrower is to be stored for an extended period.
- Disengage power to the auger/impeller when snow thrower is transported or not in use.
- Never store the snow thrower with fuel in the fuel tank inside a building where ignition sources are present such as hot water and space heaters, clothes dryers, and the like. Allow the engine to cool before storing in any enclosure.

REPAIR/ADJUSTMENTS SAFETY

- After striking a foreign object, stop the engine and remove the wire from the spark plug, or disconnect the cord from electric motor. Thoroughly inspect the snow thrower for any damage, and repair the damage before restarting and operating the snow thrower.
- If the snow thrower should start to vibrate abnormally, stop the engine (**or electric motor**) and check immediately for the cause. Vibration is generally a warning of trouble.

- **STOP THE ENGINE (OR ELECTRIC MOTOR) WHENEVER YOU LEAVE THE OPERATING POSITION, BEFORE UNCLOGGING THE AUGER/IMPELLER HOUSING OR DISCHARGE GUIDE, AND WHEN MAKING ANY REPAIRS, ADJUSTMENTS, OR INSPECTIONS. REMOVE WIRE FROM SPARK PLUG OR DISCONNECT CORD FROM ELECTRIC MOTOR.**
- When cleaning, repairing, or inspecting, make certain the auger/impeller and all moving parts have stopped. Disconnect the spark plug wire and keep the wire away from the plug to prevent accidental starting.
- Never attempt to make any adjustments while the engine is running (**except when specifically recommended in this manual or the engine manual**).
- Maintain or replace safety and instruction labels, as necessary.
- Run the snow thrower a few minutes after throwing snow to prevent freeze-up of the auger/impeller.

LOOK FOR THIS SYMBOL TO POINT OUT IMPORTANT SAFETY PRECAUTIONS. IT MEANS-- ATTENTION!!! BECOME ALERT!!! YOUR SAFETY IS INVOLVED.



California Proposition 65 WARNING!

The engine exhaust from this product contains chemicals known to the State of California to cause cancer, birth defects or other reproductive harm.

OWNER'S INFORMATION

Record the following information about your unit so that you will be able to provide it in case of loss or theft.

MODEL NUMBER: - (Enter complete 8 digit number from model plate on unit)
PURCHASE DATE: ___ / ___ / ___ CODE NO.: _____ SERIAL NO.: _____
DEALER'S NAME AND ADDRESS: _____
CITY: _____ STATE: _____ TELEPHONE: _____

TABLE OF CONTENTS

SAFETY RULES	2,3	General Recommendations	22
OWNER'S INFORMATION	4	Lubrication	22-23
TABLE OF CONTENTS	4	Spark Plug.....	23
INTERNATIONAL SYMBOLS	5	SERVICE AND ADJUSTMENTS	24-27
ILLUSTRATIONS	6-15	To Adjust Skids Height.....	24
ASSEMBLY	16-18	To Adjust Scraper Bar	24
Contents Of Shipping Carton	16	To Adjust Clutch Control Cables	24
Tools Required For Assembly	16	To Adjust Belts	
To Remove Snow Thrower From Carton	17	Auger Drive Belt	24-25
To Set The Skid Height	17	Traction Drive Belt	25
To Install The Crank Assembly	17	To Replace Belts	
To Install The Shift Rod	18	Auger Drive Belt	25
To Check/Adjust Clutch Control Cables.....	18	Traction Drive Belt	25
To Install Chute Assembly to Chute Flange.....	18	To Adjust The Belt Guides	25-26
To Install Remote Chute Deflector Knob	18	To Adjust The Friction Wheel.....	26
Drift Cutter Assembly	18	To Replace Friction Wheel	26
OPERATION	19-21	To Replace Auger Shear Bolt	26
How To Use Your Snow Thrower	19	To Adjust Carburetor	27
Before Starting The Engine	19-20	To Adjust Or Replace The Spark Plug	27
To Stop Engine	20	STORAGE	28
To Start Engine	20	TROUBLE SHOOTING	29
Snow Throwing Tips	21	REPAIR PARTS	30-45
MAINTENANCE	22-23	WARRANTY	Back Cover
Lubrication Chart.....	11		
Service Chart	22		

NOTICE: Photographs and illustrations in this manual may not show your model but are for reference only.

INTERNATIONAL SYMBOLS



ENGINE START



ENGINE RUN



OFF



ELECTRIC
START



STOP



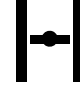
ENGINE STOP



ON



CHOKE OFF



CHOKE ON



THROTTLE



FAST



SLOW



NEUTRAL



PRIMER BUTTON



IGNITION KEY



IGNITION OFF



IGNITION ON



FUEL



OIL



FUEL OIL MIXTURE



TRANSMISSION



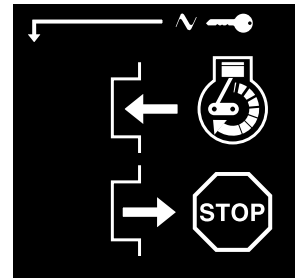
DRIVE CLUTCH



AUGER CLUTCH



AUGER/
COLLECTOR



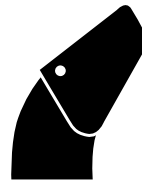
IGNITION KEY INSERT
TO RUN PULL OUT TO
STOP



FORWARD



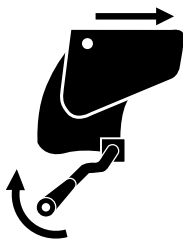
REVERSE



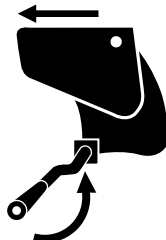
DISCHARGE
CHUTE - UP
POSITION



DISCHARGE
CHUTE - DOWN
POSITION



DISCHARGE
CHUTE -
TURN RIGHT



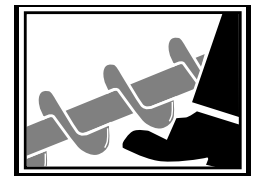
DISCHARGE
CHUTE -
TURN LEFT



CAUTION



READ OWNER'S
MANUAL



KEEP HANDS,
FEET, AND
CLOTHING AWAY!



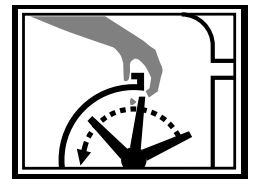
KEEP
BYSTANDERS
AWAY



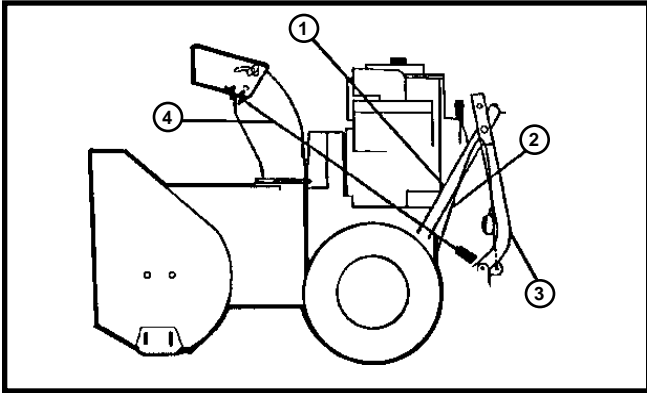
BEWARE OF
THROWN
OBJECTS



HOT SURFACE

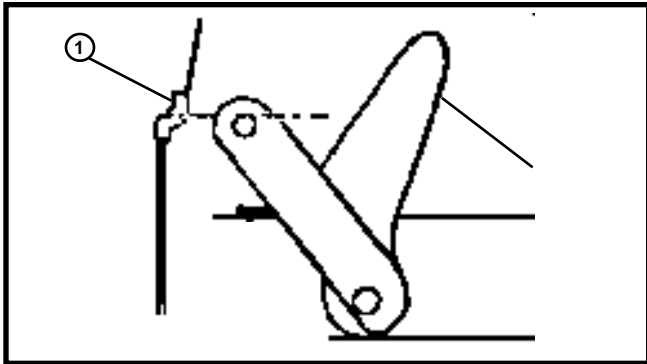


DO NOT USE
HANDS TO UN-
CLOG DISCHARGE
CHUTE.



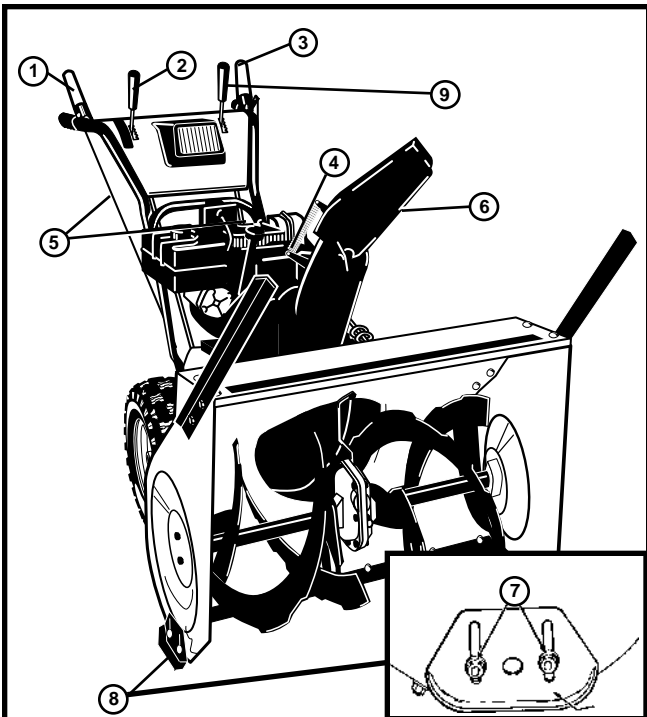
III.1

- ① LOWER HANDLE/ELEMENT INFERIEUR DE MANCHERON
- ② CLUTCH CABLE/CABLE D'EMBAYAGE
- ③ UPPER HANDLE ASSEMBLY/ELEMENT SUPERIEUR DE MANCHERON
- ④ CRANK ASSEMBLY/MANIVELLE



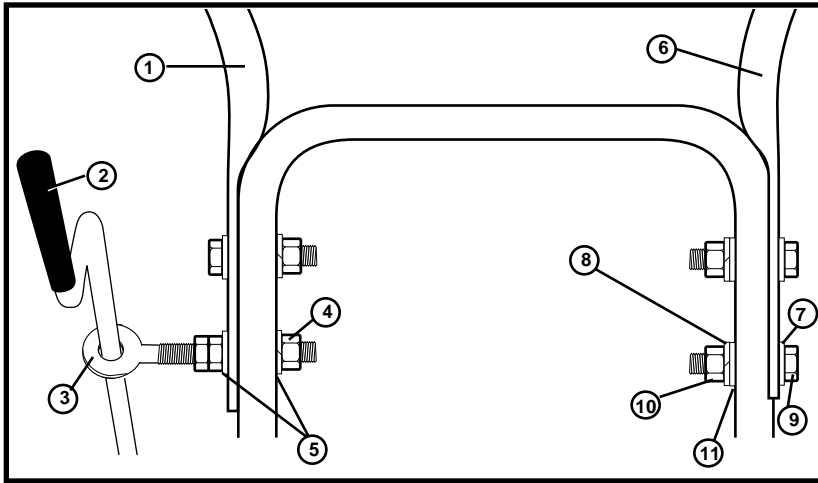
III. 2

- ① "Z" FITTING/RACCORD EN Z



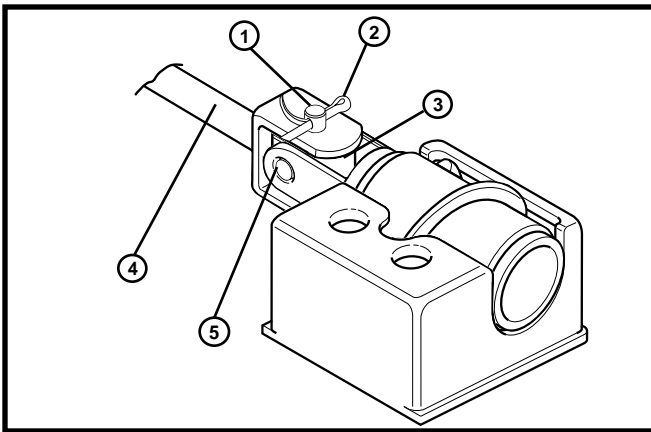
III. 3

- ① AUGER CLUTCH LEVER/LEVIER D'EMBAYAGE DE VIS SANS FIN
- ② SHIFTER LEVER/LEVIER DE CHANGEMENT DE VITESSE
- ③ TRACTION CLUTCH LEVER/LEVIER D'EMBAYAGE DE TRACTION
- ④ CRANK ASSEMBLY/MANIVELLE
- ⑤ CLUTCH CABLE/CABLE D'EMBAYAGE
- ⑥ CHUTE DEFLECTOR/DEFLECTEUR DE GOULOTTE
- ⑦ MOUNTING NUTS/ECROUS DE FIXATION
- ⑧ HEIGHT ADJUST SKID/PATIN A HAUTEUR REGLABLE
- ⑨ REMOTE CHUTE DEFLECTOR LEVER/LEVIER DU DÉFLECTEUR DE LA GOULOTTE



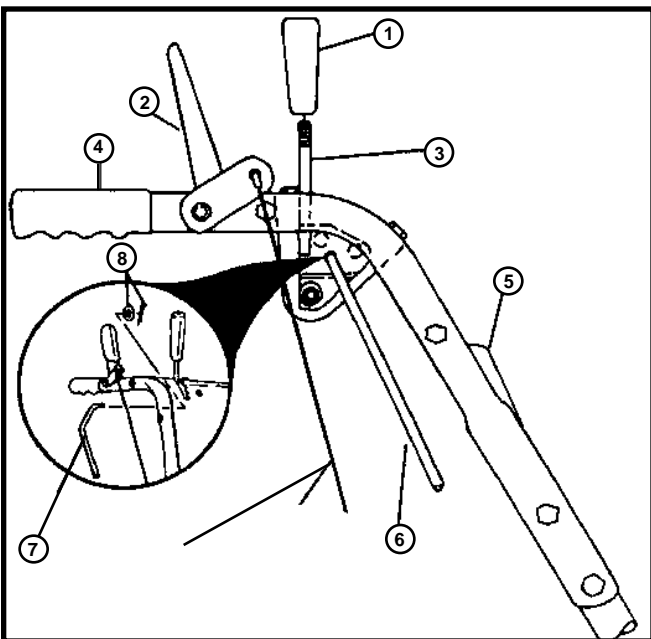
- ① LEFT HANDLE/COTE DROIT DU MANCHERON
- ② CRANK/MANIVELLE
- ③ EYE BOLT/BOULON A OEIL
- ④ 3/8 INCH NYLON LOCKNUT/RONDELLE GROWER 3/8 PO.
- ⑤ 3/8 INCH FLATWASHERS/RONDELLE PLATE 3/8 PO.
- ⑥ RIGHT HANDLE/COTE GAUCHE DU MANCHERON
- ⑦ 3/8 INCH FLATWASHER/RONDELLE PLATE 3/8 PO.
- ⑧ 3/8 INCH FLATWASHER/RONDELLE PLATE 3/8 PO
- ⑨ 3/8 X 2 INCH BOLT/BOULON 3/8 X 2 PO
- ⑩ 3/8 INCH NUT/ECROU 3/8 PO
- ⑪ 3/8 INCH LOCKWASHER/RONDELLE GROWER 3/8 PO

III.4



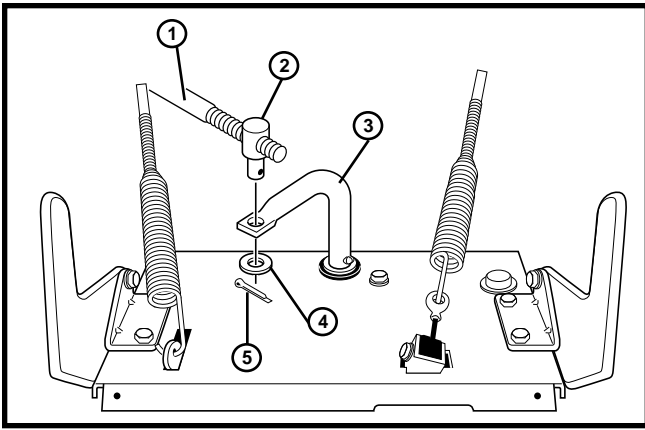
- ① CLEVIS PIN/GOUPILLE FENDUE
- ② COTTER PIN/GOUPILLE FENDUE
- ③ UNIVERSAL JOINT/JOINT DE CARDAN
- ④ CRANK ROD ASSEMBLY/TIGE DE MANIVELLE
- ⑤ DRILLED PIN/AXE FORE

III.5



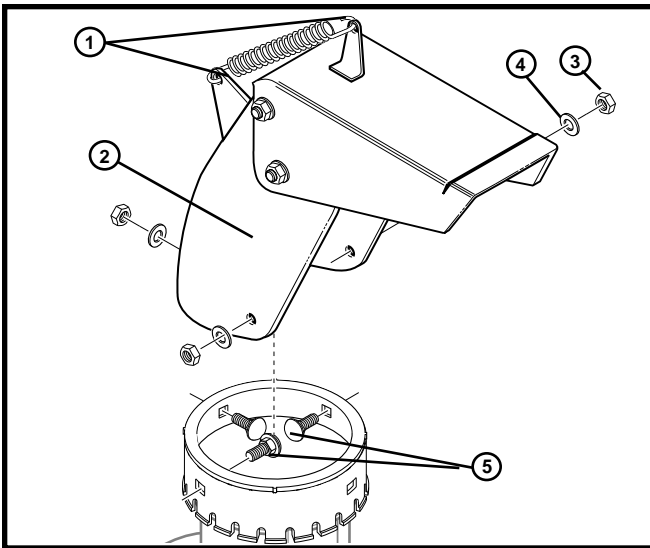
- ① SHIFTER LEVER KNOB/POMMEAU DE LEVIER DE CHANGEMENT DE VITESSE
- ② CLUTCH LEVER/LEVIER D'EMBRAYAGE
- ③ SHIFTER LEVER/LEVIER DECHANGEMENT DE VITESSE
- ④ UPPER HANDLE/ELEMENT SUPERIEUR DE MANCHERON
- ⑤ CONTROL PANEL/TABLEAU DE BORD
- ⑥ SHIFT ROD/TIGE DE CHANGEMENT DE VITESSE
- ⑦ CLUTCH CABLE/CABLE D'EMBRAYAGE
- ⑧ WASHER & COTTER PIN/RONDELLE & GOUPILLE FENDUE

III.6



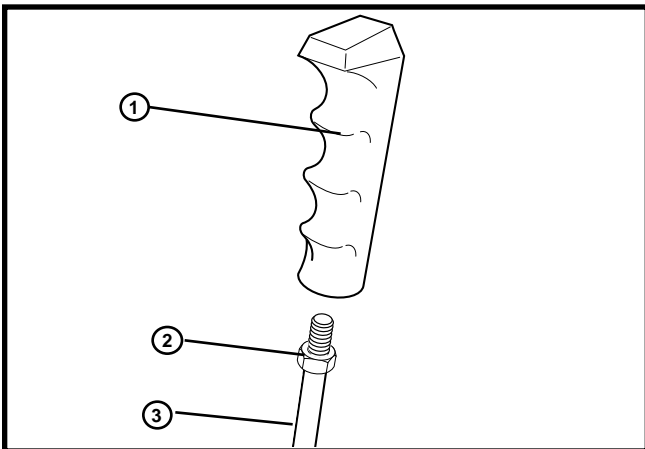
III.7

- ① SHIFT ROD/TIGE DE CHANGEMENT DE VITESSE
- ② TRUNION NUT/ECROU A PIVOT
- ③ SPEED ROD/TIGE DE SELECTION DE VITESSE
- ④ WASHER/RONDELLE
- ⑤ COTTER PIN/GOUPILLE FENDUE



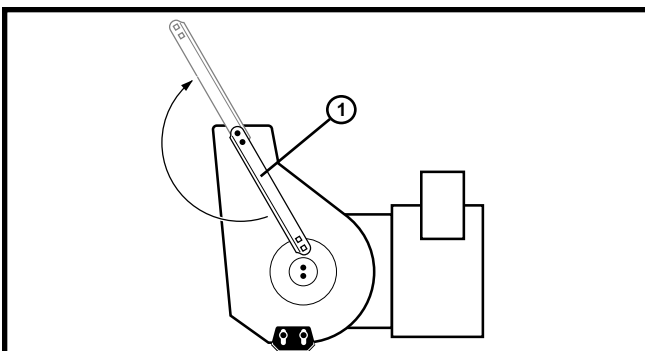
III. 8

- ① SPRING BRACKETS/SUPPORT DU RESSORT
- ② CHUTE EXTENSION/GOULOTTE
- ③ NUT/ECROU
- ④ FLATWASHER/RONDELLE PLATE
- ⑤ CARRIAGE BOLTS/BOULON



III. 8-A

- ① KNOB/POMMEAU EN PLASTIQUE POINTANT VERS L'AVANT
- ② HEX NUT/ÉCROU HEXAGONAL
- ③ LEVER/LEVIER DE VITESSE

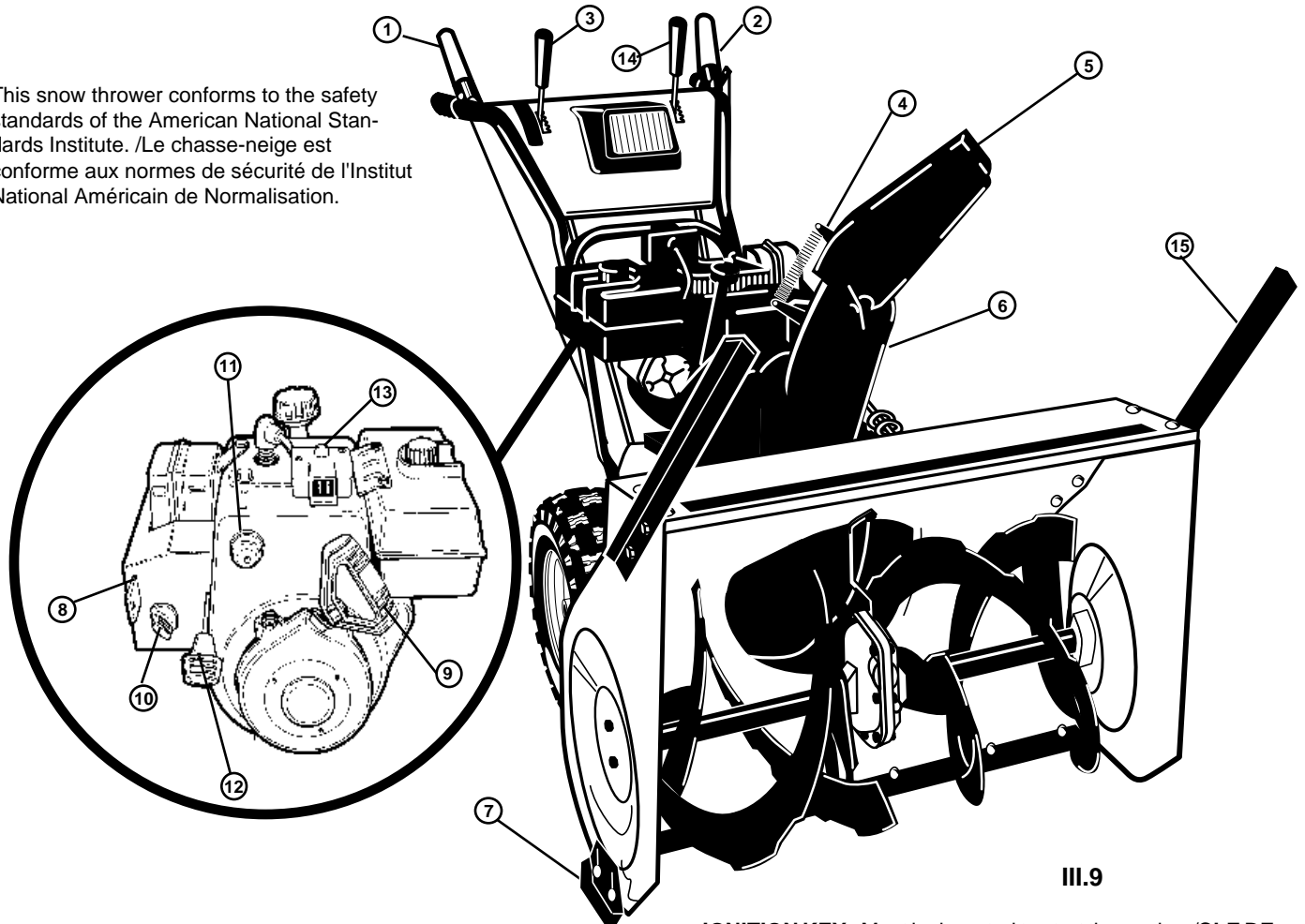


III. 8-B

- ① DRIFT CUTTERS/COUTEAUX VERTICAUX

READ THIS OWNER'S MANUAL AND SAFETY RULES BEFORE OPERATING YOUR SNOW THROWER. Compare the illustrations with your snow thrower to familiarize yourself with the location of various controls and adjustments. Save this manual for future reference./ FAMILIARISATION AVEC LE CHASSE-NEIGE A TURBINE. LISEZ LE PRESENT MANUEL D'UTILISATION ET LES REGES DE SECURITE AVANT D'UTILISER LE CHASSE-NEIGE. Comparez les illustrations à votre chasse neige pour vos familiariser avec l'emplacement des diverses commandes et les réglages. Conservez ce manuel pour vous y référer par la suite.

This snow thrower conforms to the safety standards of the American National Standards Institute. /Le chasse-neige est conforme aux normes de sécurité de l'Institut National Américain de Normalisation.

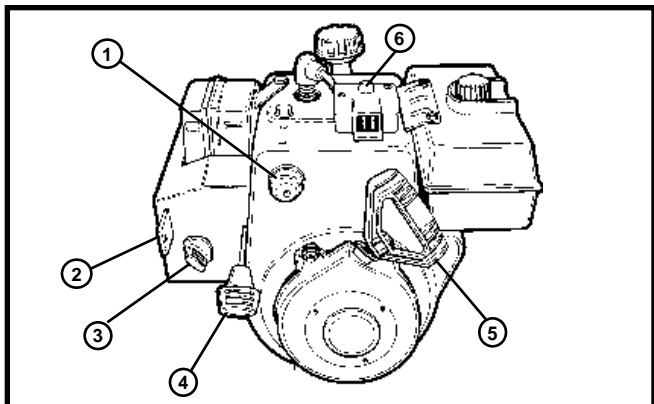


III.9

- ① **AUGER CLUTCH LEVER** - Starts and stops the auger and impeller (snow gathering and throwing)./ **LEVIER D'EMBRAYAGE DE VIS SANS FIN** - Met en marche et arrête la vis sans fin et le rotor (ramassage et éjection de la neige)
- ② **TRACTION CLUTCH LEVER** - Propels the snow thrower forward and in reverse./**LEVIER D'EMBRAYAGE DE TRACTION** - Commande la propulsion du chasse-neige en marches avant et arrière.
- ③ **SPEED SHIFTER LEVER** - Selects the speed of the snow thrower (6 speeds forward and 2 speeds reverse)./ **LEVIER DE CHANGEMENT DE VITESSE** - Sélectionne la vitesse du chasse-neige (6 rapports en marche avant et 2 en marche arrière)
- ④ **CRANK ASSEMBLY** - Changes the direction of snow throwing through the discharge chute./**MANIVELLE** - Change la direction d'éjection de la neige par la goulotte.
- ⑤ **CHUTE DEFLECTOR** - Changes the distance the snow is thrown./**DEFLECTEUR DE GOULOTTE** - Change la distance à laquelle la neige est projetée.
- ⑥ **DISCHARGE CHUTE** - Changes the direction the snow is thrown./**GOULOTTE D'EJECTION** - Change la direction dans laquelle la neige est projetée.
- ⑦ **HEIGHT ADJUST SKIDS** - Adjusts the ground clearance of the auger housing./**PATINS A HAUTEUR REGLABLE** - Règlent la garde au sol du carter de vis sans fin.
- ⑧ **PATINS A HAUTEUR REGLABLE** - Règlent la garde au sol du carter de vis sans fin.
- ⑨ **IGNITION KEY** - Must be inserted to start the engine./**CLE DE CONTACT** - Elle doit être enfoncée pour faire démarrer le moteur.
- ⑩ **RECOIL STARTER HANDLE** - Starts the engine manually./ **POIGNEE DE DEMARREUR-LANCEUR** - Fait démarrer le moteur manuellement.
- ⑪ **CHOKER CONTROL** - Used to start a cold engine./**COMMANDE DE STARTER** - Sert à faire démarrer un moteur froid.
- ⑫ **PRIMER BUTTON** - Injects fuel directly into the carburetor manifold for fast starts in cold weather./**BOUTON DE TITILLATEUR** - Injecte du carburant directement dans la tubulure d'admission du carburateur pour accélérer le démarrage par temps froid.
- ⑬ **THROTTLE CONTROL** - Controls the engine speed./ **COMMANDE DES GAZ** - Commande le régime du moteur.
- ⑭ **ELECTRIC STARTER BUTTON** - Used to start the engine using the 120V electric starter./**BOUTON DE DEMARREUR ELECTRIQUE** - Utilisé pour faire démarrer le moteur au moyen du démarreur électrique 120V.
- ⑮ **REMOTE CHUTE DEFLECTOR LEVER** - Push forward to discharge snow high and far. Pull remote lever back to discharge snow down./**LEVIER DU DEFLECTEUR DE LA GOULOTTE** - Ce déflecteur permet de modifier la distance de projection de la neige. Relever le déflecteur pour projeter la neige plus loin ou le descendre pour l'inverse.
- ⑮ **DRIFT CUTTERS** - Cuts a path through snow drifts taller than unit./**COUTEAUX VERTICAUX** - Coup à travers neige couverts plus haut que l'unité.

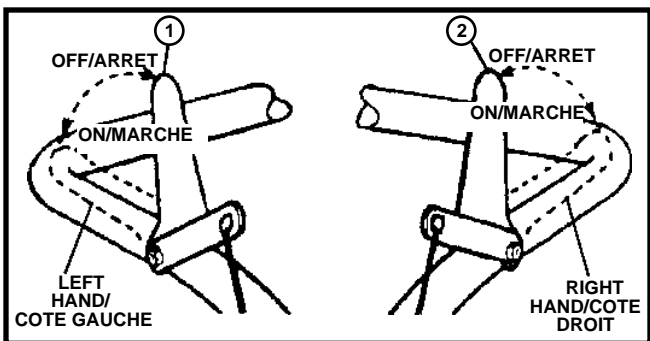


III. 10



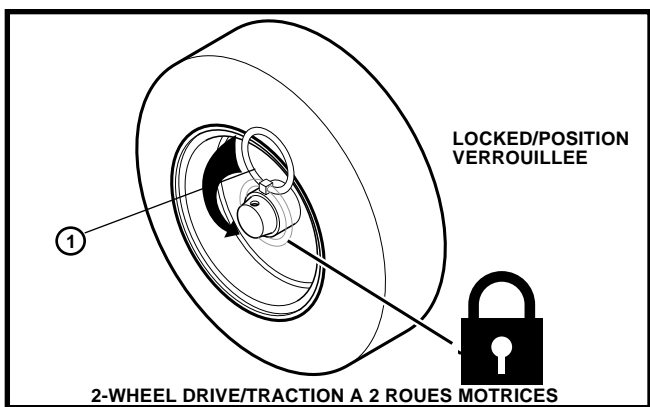
III.11

- ① PRIMER BUTTON/BOUTON DE TITILLATEUR
- ② IGNITION KEY/CLE DE CONTACT
- ③ CHOKE CONTROL/COMMANDE DE STARTER
- ④ THROTTLE CONTROL/COMMANDE DES GAZ
- ⑤ RECOIL STARTER HANDLE/POIGNEE DE DEMARREUR-LANCEUR
- ⑥ ELECTRIC STARTER BUTTON/BOUTON DE DEMARREUR ELECTRIQUE



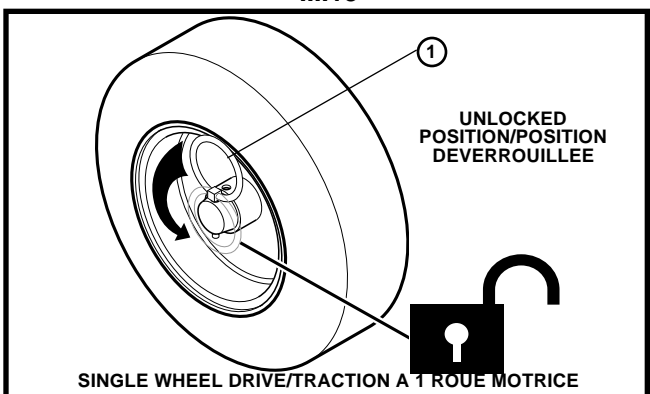
III.12

- ① TRACTION CLUTCH LEVER OFF/LEVIER D'EMBAYAGE DE TRACTION EN POSITION D'ARRET
- ② AUGER CLUTCH LEVER OFF/LEVIER D'EMBAYAGE DE VIS SANS FIN



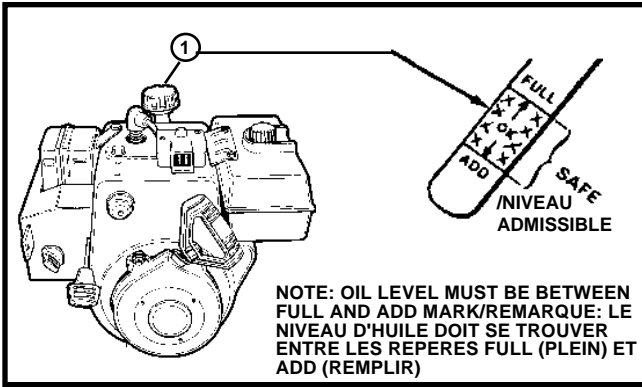
III.13

- ① KLIKK PIN/GOUPILLE "KLIKK"



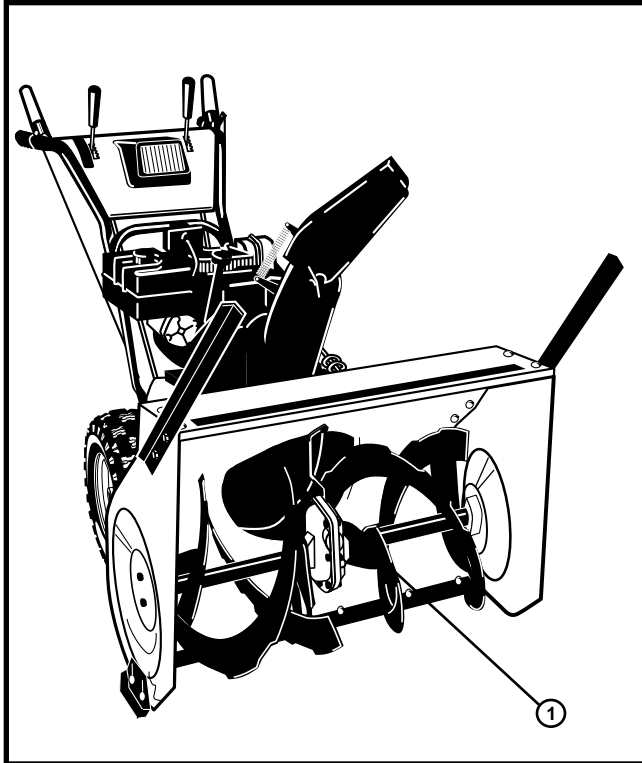
III.14

- ① KLIKK PIN/GOUPILLE "KLIKK"



III.15

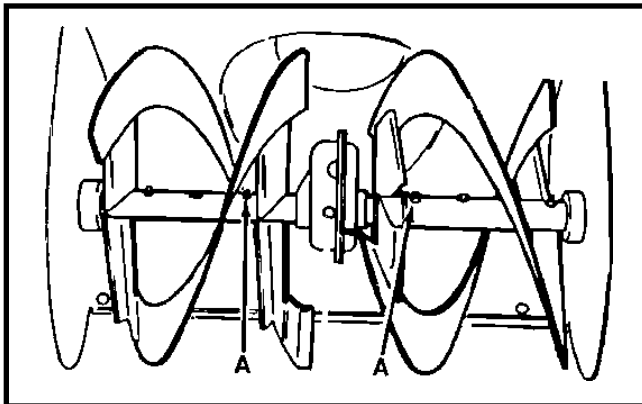
① OIL FILL CAP/DIPSTICK/BOUCHON DE REMPLISSAGE/JAUGE DE NIVEAU D'HUILE



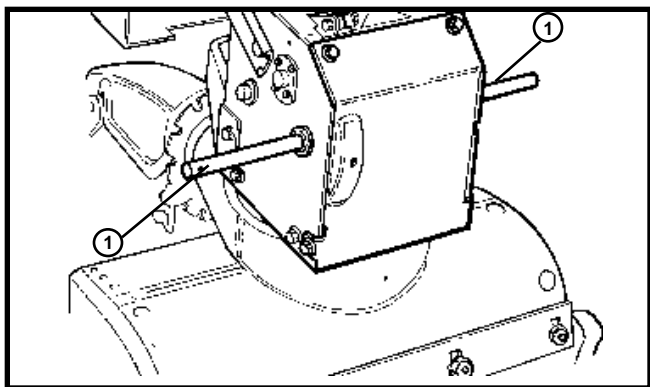
III.16

LUBRICATION CHART/TABLEAU DE GRAISSAGE

① Lubricate the Auger Shaft. Coat with a clinging type grease such as Lubriplate./Graissez l'arbre de vis sans fin. Appliquez une couche de graisse de type adhésif telle que la graisse "Lubriplate."

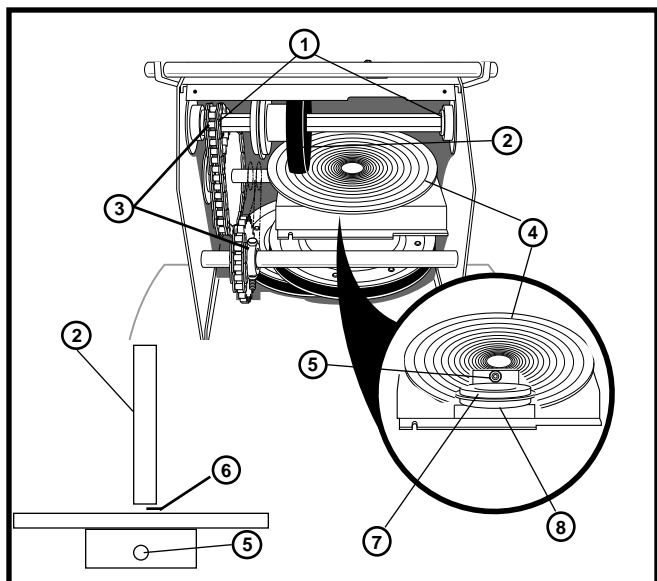


III.17



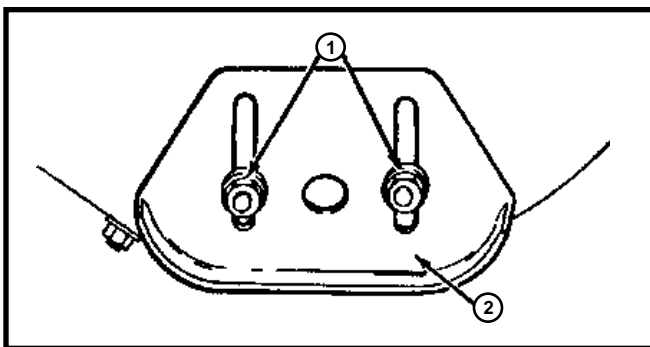
III.18

- ① AXLE/ESSIEU



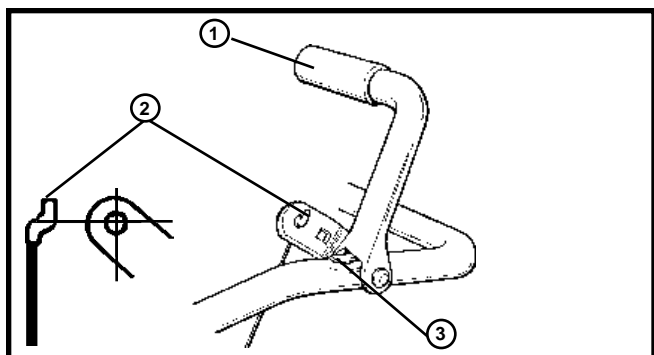
III.19

- ① HEX SHAFT AND GEARS/ARBRE HEXAGONAL ET ENGRENAGES
- ② FRICTION WHEEL/ROUE A FRICTION
- ③ GEARS (REQUIRE NO LUBRICATION)/ENGRENAGES (N'EXIGEN AUCUN GRAISSAGE)
- ④ DISC DRIVE PLATE/DISQUE D'ENTRAINEMENT
- ⑤ GREASE ZERK/GRAISSEUR A PRESSION
- ⑥ GAP BETWEEN FRICTION WHEEL AND DISC DRIVE PLATE/ ESPACE ENTRE ROUE A FRICTION ET DISQUE D'ENTRAINEMENT
- ⑦ BEARING ASSEMBLY/ROULEMENT
- ⑧ Point at which grease should be visible/Point auquel la graisse doit être visible



III.20

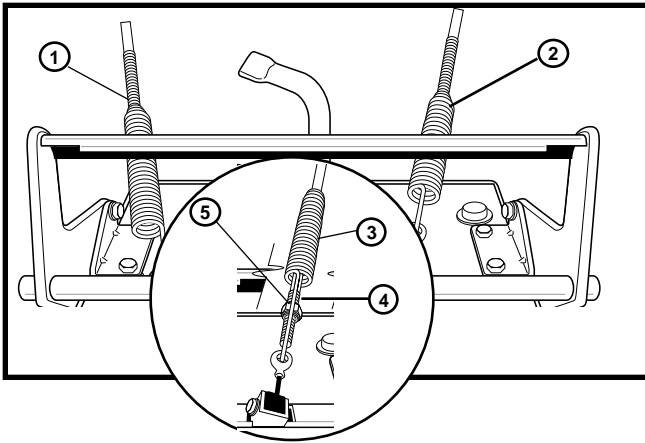
- ① SKID MOUNTING NUTS/ECROUS DE FIXATION DE PATIN
- ② HEIGHT ADJUST SKIDS/PATIN A HAUTEUR REGLABLE



III.21

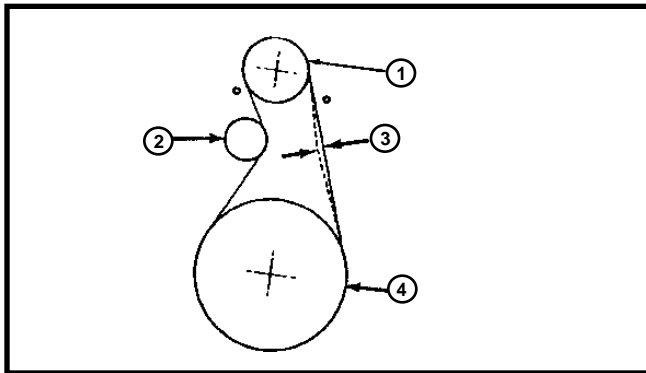
- ① TRACTION DRIVE LEVER/LEVIER DE COMMANDE DE VIS SANS FIN
- ② "Z" FITTING/RACCORD "Z"
- ③ PLASTIC BUMPER/PLASTIQUE BUMPER

CONTROL LEVER MUST BE IN FULL FORWARD POSITION (Just Contacting Plastic Bumper) WHEN CHECKING/
LE LEVIER DE COMMANDE DROIT ETRE POUSSE A FOND VERS L'AVANT (Juste au contact du tampon-amortisseur plastique) LORS DE LA VERIFICATION



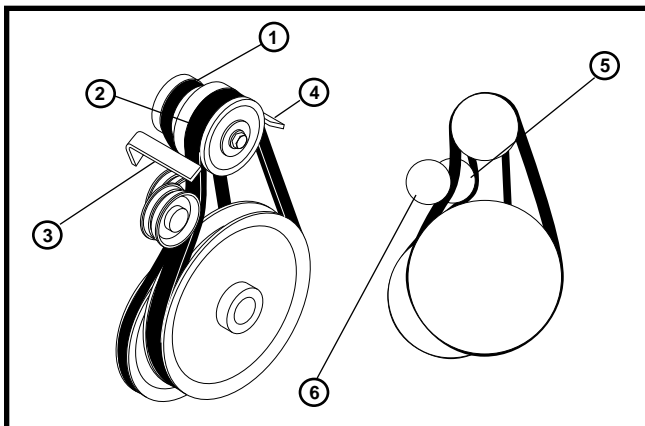
III.22

- ① TRACTION DRIVE SPRING/RESSORT DE TRACTION
- ② AUGER DRIVE SPRING/RESSORT DE COMMANDE DE VIS SANS FIN
- ③ SPRING/RESSORT
- ④ THREADED END/EXTREMITÉ FILETÉE
- ⑤ LOCKNUT/CONTR-ECROU



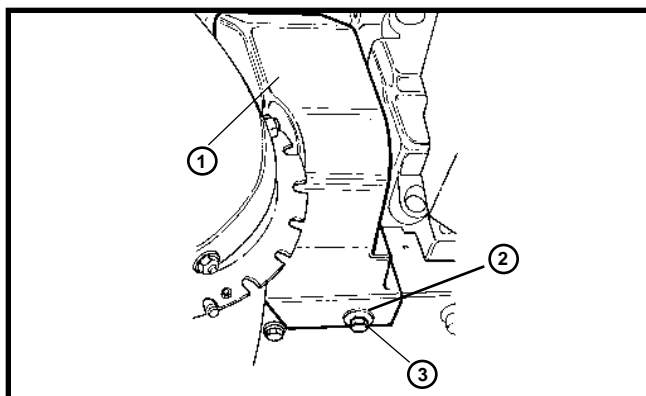
III.23

- ① DRIVE PULLEY/POULIE D'ENTRAÎNEMENT
- ② AUGER IDLER PULLEY ENGAGED/GALET-TENDEUR DE COMMANDE DE VIS SANS FIN ENCLENCHE
- ③ 1/2 INCH DEFLECTION/FLEXION DE 13 MM (1/2 PO)
- ④ IMPELLER PULLEY/POULIE DE ROTOR



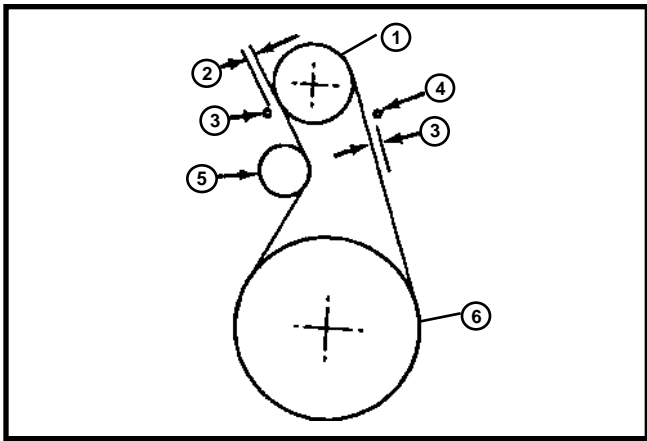
III.24

- ① TRACTION DRIVE BELT/COURROIE DE COMMANDE DE TRACTION
- ② AUGER DRIVE BELT/POULIE DE COMMANDE DE TRACTION
- ③ BELT GUIDE (Right Hand)/GUIDE DE COURROIE (Côté droit)
- ④ BELT GUIDE (Left Hand)/GUIDE DE COURROIE (Côté gauche)
- ⑤ TRACTION DRIVE IDLER PULLEY/POULIE D'ENTRAÎNEMENT DE VIS SANS FIN
- ⑥ AUGER IDLER PULLEY/GALET-TENDEUR DE COMMANDE DE VIS SANS FIN



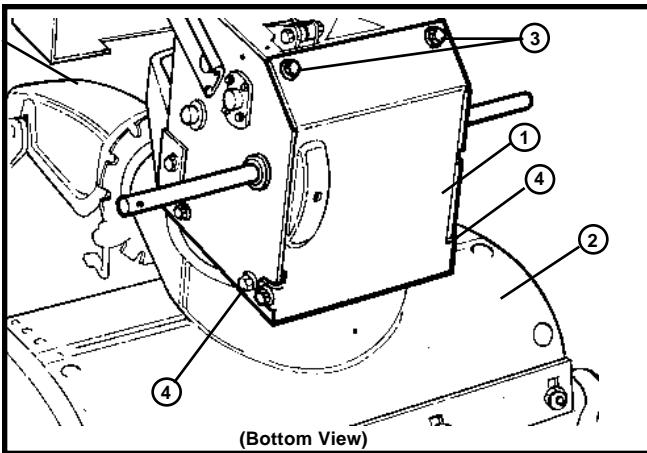
III.25

- ① BELT COVER/PROTEGE-COURROIE
- ② 5/8 INCH FLATWASHER/RONDELLE PLATE 5/8 PO
- ③ 1/4 X 1/2 INCH SELF TAPPING SCREW/VIS AUTOTARAUEUSE 1/4X1/2 PO



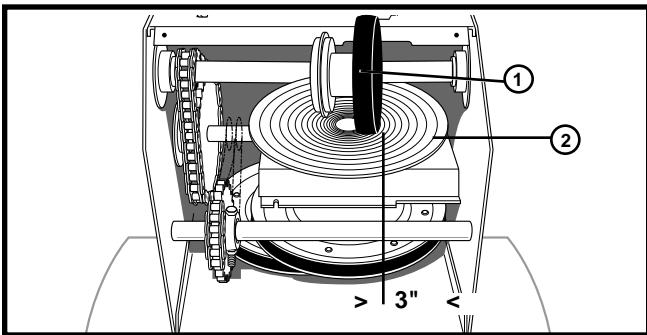
III.26

- ① AUGER DRIVE PULLEY/POULIE D'ENTRAINEMENT DE VIS SANS FIN
- ② 3/32 INCH/3/32 PO
- ③ BELT GUIDE (Right Hand)/GUIDE DE COURROIE (Côté droit)
- ④ BELT GUIDE (Left Hand)/GUIDE DE COURROIE (Côté gauche)
- ⑤ AUGER IDLER PULLEY ENGAGED/GALET-TENDEUR DE COMMANDE DE VIS SANS FIN ENCLENCHE
- ⑥ IMPELLER PULLEY/POULIE DE ROTOR



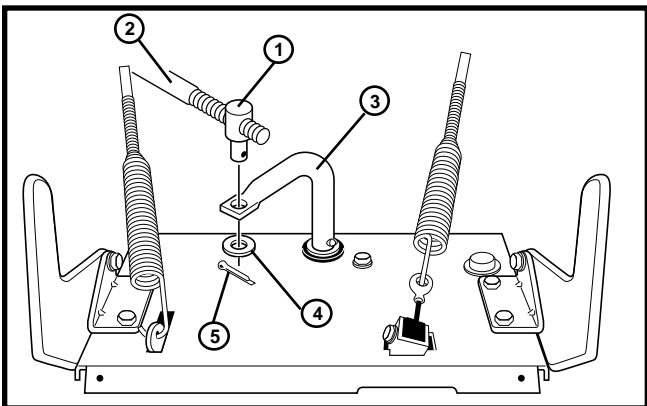
III.27

- ① BOTTOM PANEL/PANNEAU INFERIEUR
- ② AUGER HOUSING/CARTER DE VIS SANS FIN
- ③ REMOVE TOP BOLTS (Each side)/RETIRER LES BOULONS
- ④ LOOSEN BOTTOM BOLTS (Each side)/DESSERRER LE BOULONS



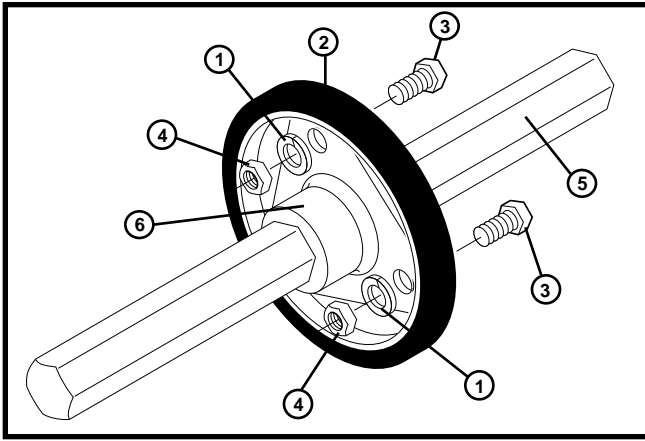
III.28

- ① FRICTION WHEEL/ROUE A FRICTION
- ② DISC DRIVE PLATE/DISQUE D'ENTRAINEMENT



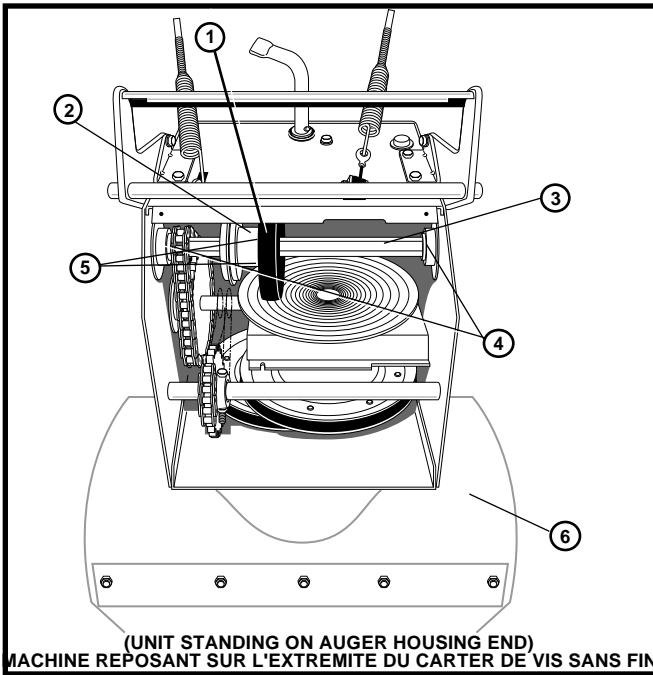
III.29

- ① TRUNION NUT/ECROU A PIVOT
- ② SHIFT ROD/TIGE DE CHANGEMENT DE VITESSE
- ③ SPEED ROD/TIGE DE SELECTION DE VITESSE
- ④ WASHER/RONDELLE
- ⑤ COTTER PIN/GOUPILLE FENDUE



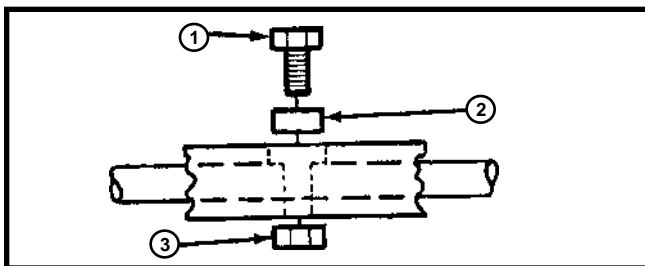
III.30

- ① LOCKWASHER/RONDELLE GROWER
- ② FRICTION WHEEL/ROUE A FRICTION
- ③ BOLT/BOULON
- ④ NUT/ECROU
- ⑤ HEX SHAFT/ARBRE HEXAGONAL
- ⑥ HUB/MOYEU



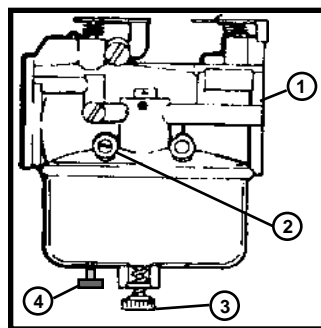
III.31

- ① FRICTION WHEEL/ROUE A FRICTION
- ② HUB/MOYEU
- ③ HEX SHAFT/ARBRE HEXAGONAL
- ④ BEARING PLATES/PLAQUE D'APPUI
- ⑤ FASTENERS(screws, lockwashers, & nuts)/ATTACHE(Vis, rondelle grower & ecrous)
- ⑥ AUGER HOUSING/CARTER DE VIS SANS FIN



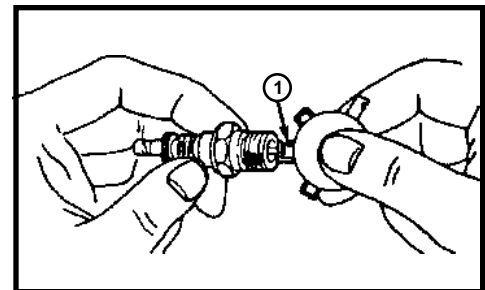
III.32

- ① SHEAR BOLT/BOULON DE SURETE A CISAILLER
- ② SHEAR BOLT SPACER/RONDELLE D'ECARTEMENT POUR BOULON DE SURETE A CISAILLER
- ③ LOCKNUT/CONTRE-ECROU



III.33

- ① CARBURETOR/CARBURATEUR
- ② IDLE ADJUSTING SCREW
(Close finger tight only)/VIS DE
REGLAGE DE RALENTI (La serrer à
la main seulement)
- ③ HIGH SPEED ADJUSTING SCREW
(Close finger tight only)/VIS DE REGLAGE
DE HAUT REGIME (La serrer à la
main seulement)
- ④ BOWL DRAIN/VIDANGE DE
CUVE



III.34

- ① .030 GAP/ECARTEMENT
DE 0,75 MM (0,030 PO)

ASSEMBLY

CONTENTS OF SHIPPING CARTON

- 1- Snow thrower completely assembled except for the crank assembly, shift rod assembly and knob and upper handle, which is in the folded down position.
- 1- Crank Assembly
- 1 - Spring for Remote Chute Return
- 1- Owner's Manual (**Not Shown**)
- 1- Parts Box Containing:
 - 1 - Container of 5W30 Oil
 - 1 - Electric Starter Cord 9.5 Ft. (if equipped with **electric start**)
 - 1 - Chute Assembly (**may be assembled**)
- 1 - Bag of Assembly parts containing:

TOOLS REQUIRED FOR ASSEMBLY

- 1 - Knife (**to cut carton and plastic ties**)
- 2 - 1/2 inch Wrenches (**or adjustable wrenches**)
- 2 - 9/16 inch Wrenches (**or adjustable wrenches**)
- 2 - 3/4 inch Wrenches (**or adjustable wrenches**)
- 1 - Pair Pliers or Screw Driver (**to spread cotter pin**)



1 - 3/8-16 x 2 Inch Hex Hd Screw



2 - 1/4 - 20 x 1-3/4 Shear Bolts



2 - Spare 1/4-20 Locknuts



1 - 3/8 - 16 Hex Nut



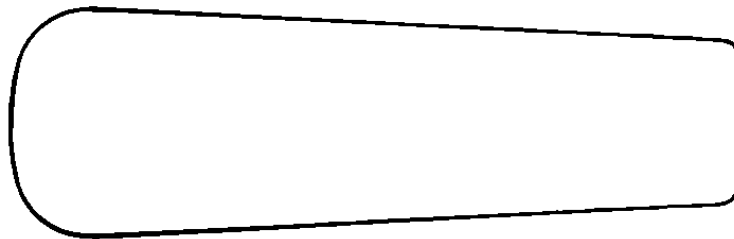
2 - 3/8 Inch Flat Washers



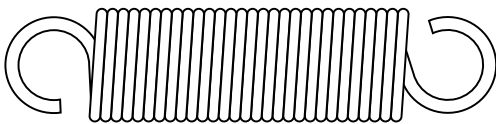
1 - 3/8 Inch Lockwasher



2 - Spare Shear Bolt Spacers



1 - Shift Lever Knob



1 - Spring (Remote Chute Return)

III.1 shows the snow thrower in the shipping position.

III.3 shows the snow thrower completely assembled.

Reference to the right and left hand side of the snow thrower is from the operator's position at the handle.

TO REMOVE SNOW THROWER FROM CARTON (See III.1)

- Remove top pallet from carton.
- Locate and remove parts box.
- Cut all four corners of the carton from top to bottom and lay the panels flat.
- Cut the cable ties attached to the auger.
- Cut and discard the plastic ties that secure the crank assembly and place the assembly aside.
- Remove the packing material from the control panel and upper handle assembly.
- Loosen (**do not remove**) both bolts securing the upper and lower handles. Swing the upper handle into the operating position.
- Cut and discard the packing ties securing the clutch cables to the lower handle.

NOTE: If the cables have become disconnected from the clutch levers, reinstall the cables as shown in III.2.

- Tighten both bolts securely.
- Roll the snow thrower off the skid by pulling on the handle.

HOW TO SET UP YOUR SNOW THROWER (See III.3)

TO SET THE SKID HEIGHT

- For packing, the height adjust skids were mounted on the inside of auger housing with the bottom lip turned inward and the mounting hardware on the inside. Remove skid mounting nuts (III.3) and re-mount on outside of auger housing with lip outward, and mounting hardware to the outside as shown in III.3.
- To adjust skid height for different conditions, refer to the Service and Adjustment section.



IF YOU ARE REMOVING SNOW FROM ANY ROCKY OR UNEVEN SURFACES, RAISE THE FRONT OF THE SNOW THROWER BY MOVING THE SKIDS DOWN. THIS WILL HELP TO PREVENT ROCKS AND OTHER DEBRIS FROM BEING PICKED UP AND THROWN BY THE AUGER.

TO INSTALL THE CRANK ASSEMBLY

- On the right side of the handle, install the following (**found in parts box**) in the lower hole as shown in III.4:
 - 1 - 3/8 x 2 inch bolt
 - 2 - 3/8 inch flatwashers
 - 1 - 3/8 inch lockwasher
 - 1 - 3/8 inch nut
- Remove one 3/8" nylon locknut and flatwasher from the "eye" bolt assembly (**on the chute crank assembly**).
- Install "eye" bolt through lower hole on the left hand side of the handle. See III.4 for order of hardware.
- Install the 3/8" flatwasher and the 3/8" nut loosely on the "eye" bolt, as shown.
- Remove the plastic bag, plastic cap, cotter pin and washer from the crank assembly and set aside (**See III.5**).
- Rotate the notched section of the discharge chute toward the crank-adjusting rod (III.5).
- Carefully remove cotter pin, clevis pin and drilled pin from yoke end of crank rod assembly.
- Place universal joint into end of worm gear lining up large holes. Insert drilled pin (**ensure opening in pin is in line with small openings in universal joint**).
- Place yoke end of crank rod around universal joint, lining up openings. Insert clevis pin through assembly and secure with cotter pin. Spread ends of cotter pin to lock in place.
- Tighten the eye bolt installed earlier.
- Tighten the screw, flatwasher, locknut, and hex nut at the lower right hand hole (**See III.4**).

NOTE: Make sure the cables are not caught between the upper and lower handle.

- Rotate the chute crank fully clockwise and fully counter-clockwise.

TO INSTALL THE SHIFTER ROD

- Attach shift rod set aside earlier to the shifter lever with one (1) flatwasher and (1) cotter pin (See III.6).
- Place shift lever into sixth gear position. Rotate speed rod on rear of motor frame counterclockwise down until it stops.
- Align trunion nut on end of shift rod with the hole in the speed rod. If trunion nut does not align with hole in speed rod, twist trunion nut up or down on shift rod until it does line up.
- Put end of trunion nut through hole in speed rod and attach washer and cotter pin (See III.7).
- Move the shifter lever through all the speeds to ensure proper placement of the shifter lever.

TO CHECK/ADJUST CLUTCH CONTROL CABLES

The control cables attached to the auger clutch lever and traction clutch lever may need to be adjusted before you use your snow thrower.

Refer to "To Adjust the Clutch Control Cables" in the "Service and Adjustment" section on checking or adjusting the control cables.

TO INSTALL CHUTE ASSEMBLY TO CHUTE FLANGE (III.8)

- Remove three carriage bolts, flatwashers, lockwashers and nuts from snow chute flange.
- Position snow chute on snow chute flange and align the three holes in the snow chute with tabs on snow chute flange.
- Replace the carriage bolts, from inside of chute as shown in III. 8, install flatwashers, lockwashers and nuts.
- Tighten nuts securely.
- Hook remote chute return spring supplied in parts bag through both spring bracket as on deflector and chute extension.

TO INSTALL REMOTE CHUTE DEFLECTOR LEVER KNOB

- Thread the knob onto the threaded end of the lever until it is snug against the hex nut and the lip is pointed toward the engine. Tighten the hex nut against the bottom of the lever knob (See III. 8-A).

DRIFT CUTTER ASSEMBLY (IF EQUIPPED)

- Remove the fasteners securing the drift cutters and then rotate drift cutters 180° (See III. 8-B).
- Reinstall fasteners and secure.



The operation of any snow thrower can result in foreign objects being thrown into the eyes, which can result in severe eye damage. Always wear safety glasses or eye shields while operating the snow thrower. We recommend standard safety glasses or Wide Vision Safety Mask for over your glasses.

HOW TO USE YOUR SNOW THROWER

TO CONTROL SNOW DISCHARGE

- Turn the crank assembly to set the **direction** of the snow throwing.
- Loosen the wing knob on the chute deflector and move the deflector to set the **distance**. Move the deflector **UP** for more distance, **DOWN** for less distance. Then tighten the wing knob (**See III 10**).

TO STOP YOUR SNOW THROWER

- To stop throwing snow, release the auger clutch lever (**See III 12**).
- To stop the wheels, release the traction clutch lever.
- To stop the engine, push the throttle control lever to off and pull out the ignition key (**See III 11**).

TO MOVE FORWARD AND BACKWARD

- To shift, release the traction clutch lever and move the speed shifter lever to the speed you desire. Ground speed is determined by snow conditions. Select the speed you desire by moving the speed shifter lever into the appropriate colored area on the control panel.
 - Red - Wet, Heavy, Slushy, Extra Deep
 - Amber - Moderate
 - White - Very Light
 - Green - Transport only
- Engage the traction clutch lever (**See III 12, left hand**). As the snow thrower starts to move, maintain a firm hold on the handles, and guide the snow thrower along the clearing path. Do not attempt to push the snow thrower.
- This unit is equipped with a single hand control feature. This will allow the operator to hold both engaged levers with one hand thus freeing other hand.
- To activate single hand control feature:
 - Push down on both levers to engaged position.
 - Once engaged either hand may be removed from levers. Both levers will remain engaged as long as one is held down.
- To disengage single hand control operation release lever which is being held down and both levers will automatically disengage.

- To move the snow thrower backward, move the speed shifter lever into first or second reverse and engage the traction clutch lever (**left hand**).

IMPORTANT: DO NOT MOVE THE SPEED SHIFT LEVER WHILE THE TRACTION LEVER IS DOWN.

TO THROW SNOW

- Push down the auger clutch lever (**See III 12, right hand**).
- Release to stop throwing snow.

TO USE WHEEL LOCKOUT PIN

- The left hand wheel is secured to the axle with a klick pin (**See III 13**). This unit was shipped with this klick pin in the locked (**through wheel hole**) position.
- For ease of maneuverability in light snow conditions, disconnect the klick pin from the wheel locked position and push into the single wheel drive (**unlocked axle hole only**) position (**See III 14**).
- Make sure that the klick pin is in the single wheel drive position of the axle only and not through the locked position.

BEFORE STARTING THE ENGINE

- If the snow thrower must be moved without the aid of the engine, it is easier to pull the snow thrower by the handles rather than pushing.
- Before you service or start the engine, familiarize yourself with the snow thrower. Be sure you understand the function and location of all controls.

NOTE: Check tension of clutch cables before starting the engine. (**See To Adjust The Control Cables paragraph in the Service & Adjustments section of this manual**).

- Be sure that all fasteners are tight.
- Make sure the height adjust skids are properly adjusted (**See To Adjust Skid Height paragraph in the Service & Adjustments section of this manual**).
- Check tire pressure (**14 to 17 pounds**). Do not exceed maximum amount of pressure.

FILL OIL:

The engine on this snow thrower was shipped **without oil**. 5W30 oil is included with this unit and must be added to the engine before operating. Remove the oil fill cap/dipstick and fill the crank case to "**FULL**" line on dipstick (**See III.15**) with S.A.E. 5W-30 motor oil (**or equivalent**). **Do not overfill**. Tighten the fill cap/dipstick securely each time you check the oil level.

FILL GAS:

Fill the fuel tank with clean, fresh, unleaded grade automotive gasoline. Be sure that the container you pour the gasoline from is clean and free from rust or other foreign particles. Never use gasoline that may be stale from long periods of storage in the container.

NOTE: S.A.E. 5W-30 motor oil may be used to make starting easier in areas where temperature is consistently 20° F. or lower.

WARNING: Experience indicates that alcohol blended fuels (**called gasohol or those using ethanol or methanol**) can attract moisture which leads to separation and formation of acids during storage. Acidic gas can damage the fuel system of an engine while in storage.

To avoid engine problems, the fuel system should be emptied before storage for 30 days or longer. Start the engine and let it run until the fuel lines and carburetor are empty. Use the carburetor bowl drain to empty residual gasoline from the float chamber (III 33). Use fresh fuel next season (**See Storage section in this manual for additional information**).

TO STOP ENGINE

- To stop engine, move the throttle control lever to "STOP" position and remove key. Keep the key in a safe place. The engine will not start without the key.

TO START ENGINE (Electric Starter)

Be sure that the engine has sufficient oil. The snow thrower engine is equipped with a 120 volt A.C. electric starter and recoil starter. Before starting the engine, be certain that you have read the following information:

COLD START (See III.9)

- Be sure the auger drive and traction drive levers are in the disengaged "RELEASED" position.
- Move the throttle control up to "FAST" position.
- Push the key into the ignition slot. Be sure it snaps into place. Do not turn the key. Remove the plastic bag and extra key.
- Rotate the choke knob to "FULL" choke position.
- Connect the power cord to the switch box on the engine.
- Plug the other end of the power cord into a three hole, grounded 120 volt A.C. receptacle.
- Press the primer button two or three times while keeping your finger over the vent hole on the primer button. Additional priming may be necessary for the first start if the temperature is below 15° F.
- Push down on the starter button until the engine starts. Do not crank for more than 10 seconds at a time. This electric starter is thermally protected. If overheated it will stop automatically and can be restarted only when it has cooled to a safe temperature (**a wait of about 5 to 10 minutes is required**).

- When the engine starts, release the starter button and slowly rotate the choke to "OFF" position. If the engine falters, rotate the choke to "FULL" and then gradually to "OFF".
- Disconnect the power cord from the receptacle first and then from switch box on engine.

NOTE: Allow the engine to warm up for a few minutes because the engine will not develop full power until it reaches operating temperature.

- Run the engine at or near the top speed when throwing snow.

WARM START

If restarting a warm engine after a short shutdown, leave choke at "OFF" and do not push the primer button.



THIS STARTER IS EQUIPPED WITH A THREE-WIRE POWER CORD AND PLUG AND IS DESIGNED TO OPERATE ON 120 VOLT AC HOUSEHOLD CURRENT.

IT MUST BE PROPERLY GROUNDED AT ALL TIMES TO AVOID THE POSSIBILITY OF ELECTRICAL SHOCK WHICH MAY BE INJURIOUS TO OPERATOR.

FOLLOW ALL INSTRUCTIONS CAREFULLY AS SET FORTH IN THE "TO START ENGINE" SECTION. DETERMINE THAT YOUR HOUSE WIRING IS A THREE-WIRE GROUNDED SYSTEM.

ASK A LICENSED ELECTRICIAN IF YOU ARE NOT SURE.

IF YOUR HOUSE WIRE SYSTEM IS NOT A THREE-WIRE SYSTEM, DO NOT USE THIS ELECTRIC STARTER UNDER ANY CONDITIONS.

IF YOUR SYSTEM IS GROUNDED AND A THREE-HOLE RECEPTACLE IS NOT AVAILABLE AT THE POINT YOUR STARTER WILL NORMALLY BE USED, ONE SHOULD BE INSTALLED BY A LICENSED ELECTRICIAN.

WHEN CONNECTING 120 VOLT AC "POWER CORD," ALWAYS CONNECT THE CORD TO THE "SWITCH BOX" ON THE ENGINE FIRST, THEN PLUG THE OTHER END INTO THE THREE-HOLE GROUNDED RECEPTACLE.

WHEN DISCONNECTING "POWER CORD," ALWAYS UNPLUG THE END IN THE THREE-HOLE GROUNDED RECEPTACLE FIRST.

GASOLINE IS FLAMMABLE AND CAUTION MUST BE USED WHEN HANDLING OR STORING IT.

DO NOT FILL FUEL TANK WHILE SNOW THROWER IS RUNNING, WHEN IT IS HOT, OR WHEN SNOW THROWER IS IN AN ENCLOSED AREA.

KEEP AWAY FROM OPEN FLAME OR AN ELECTRICAL SPARK AND DO NOT SMOKE WHILE FILLING THE FUEL TANK.

NEVER FILL THE TANK COMPLETELY. FILL THE TANK TO WITHIN 1/4" - 1/2" FROM THE TOP TO PROVIDE SPACE FOR EXPANSION OF FUEL.

ALWAYS FILL FUEL TANK OUTDOORS AND USE A FUNNEL OR SPOUT TO PREVENT SPILLING.

MAKE SURE TO WIPE UP ANY SPILLED FUEL BEFORE STARTING THE ENGINE.

STORE GASOLINE IN A CLEAN, APPROVED CONTAINER AND KEEP THE CAP IN PLACE ON THE CONTAINER.



DO NOT ATTEMPT TO REMOVE ANY ITEM THAT MAY BECOME LODGED IN AUGER WITHOUT TAKING THE FOLLOWING PRECAUTIONS:



- **RELEASE AUGER DRIVE AND TRACTION DRIVE LEVERS.**
- **MOVE THROTTLE LEVER TO STOP POSITION.**
- **REMOVE (DO NOT TURN) IGNITION KEY.**
- **DISCONNECT SPARK PLUG WIRE.**
- **DO NOT PLACE YOUR HANDS IN THE AUGER OR DISCHARGE CHUTE. USE A PRY BAR.**

SNOW THROWING TIPS

- For maximum snow thrower efficiency in removing snow, adjust ground speed, **NEVER** the throttle. Go slower in deep, freezing or wet snow. If the unit slips, reduce forward speed. The engine is designed to deliver maximum performance at full throttle and should be run at this power setting at all times.
- Most efficient snow blowing is accomplished when the snow is removed immediately after it falls.
- For complete snow removal, slightly overlap each path previously taken.
- The snow should be discharged down wind whenever possible.
- For normal usage, set the skids so that the scraper bar is 1/8" above the skids. For extremely hard-packed snow surfaces, adjust the skids upward so that the scraper bar touches the ground.
- On gravel or crushed rock surfaces, set the skids at 1-1/4" below the scraper bar (**see To Adjust Skid Height paragraph in the Service & Adjustments section of this manual**). Rocks and gravel must not be picked up and thrown by the machine.
- After the snow blowing job has been completed, allow the engine to idle for a few minutes, which will melt snow and accumulated ice off the engine.
- Clean the snow thrower thoroughly after each use.
- Remove ice and snow accumulation and all debris from the entire snow thrower, and flush with water (**if possible**) to remove all salt or other chemicals. Wipe snow thrower dry.

FROZEN STARTER

If the starter is frozen and will not turn engine:

- Pull as much rope out of the starter as possible.
- Release the starter handle and let it snap back against the starter.

If the engine still fails to start, push the primer button two or three times again and repeat the two previous steps until the engine starts. Then continue with the directions for cold start.

To help prevent possible freeze-up of recoil starter and engine controls, proceed as follows after each snow removal job.

- **With the engine running**, pull the starter rope hard with a continuous full arm stroke three or four times. Pulling of starter rope will produce a loud clattering sound. This is not harmful to the engine or starter.
- **With the engine not running**, wipe all snow and moisture from the carburetor cover in area of control levers. Also move throttle control, choke control, and starter handle several times.

NEVER RUN ENGINE INDOORS OR IN ENCLOSED, POORLY VENTILATED AREAS. ENGINE EXHAUST CONTAINS CARBON MONOXIDE, AN ODORLESS AND DEADLY GAS. KEEP HANDS, FEET, HAIR AND LOOSE CLOTHING AWAY FROM ANY MOVING PARTS ON ENGINE AND SNOW THROWER.

WARNING: TEMPERATURE OF MUFFLER AND NEARBY AREAS MAY EXCEED 150° F. AVOID THESE AREAS.

DO NOT ALLOW CHILDREN OR YOUNG TEENAGERS TO OPERATE OR BE NEAR SNOW THROWER WHILE IT IS OPERATING.



MAINTENANCE

SERVICE RECORDS	SCHEDULE								SERVICE DATES				
	After First 2 hours	Before Each Use	Often	Every 5 Hours	Every 10 Hours	Every 25 Hours	Each Season	Before Storage	Fill in dates as you complete regular service				
Check Engine Oil Level		✓		✓			✓						
Change Engine Oil	✓					✓	✓						
Tighten All Screws and Nuts	✓	✓	✓										
Check Traction and Auger Clutch Cable Adjustment (See Cable Adjustment)	✓						✓						
Replace Spark Plug						✓	✓						
Adjust Drive Belts	✓					✓	✓						
Lubricate All Pivot Points					✓			✓					
Lubricate Auger Shaft (See Shear Bolt Replacement)								✓					
Lubricate Drive Chains					✓			✓					
Check Fuel													
Drain Fuel		✓						✓					

GENERAL RECOMMENDATIONS

The warranty on this snow thrower does not cover items that have been subjected to operator abuse or negligence. To receive full value from the warranty, operator must maintain snow thrower as instructed in this manual.

Some adjustments will need to be made periodically to properly maintain your snow thrower .

All adjustments in the Service and Adjustments section of this manual should be checked at least once each season.

AFTER EACH USE

- Check for any loose or damaged parts.
- Tighten any loose fasteners.
- Check and maintain the auger.
- After each use, remove all snow and slush off the snow thrower to prevent freezing of auger or controls.
- Check controls to make sure they are functioning properly.
- If any parts are worn or damaged, replace immediately.
- Change the oil after first two (2) hours of use.

SNOW THROWER

LUBRICATION - EVERY FIVE HOURS

- Lubricate the flange on the discharge chute every five (5) hours during use and before storage.
- See Lubrication Chart (Page 11, III 16) diagram for lubrication points and type of lubricant.

LUBRICATION - EVERY TEN HOURS

- Auger Shaft - Using a hand grease gun, lubricate the auger shaft zerk fittings (See III.17) every ten (10) ● See Lubrication Chart diagram for lubrication points and type of lubricant.

LUBRICATION - EVERY 25 HOURS

- Position speed selector lever in first gear.
- Place a coin or (a shim of equal thickness) between the rubber friction wheel and disc drive plate to prevent friction wheel contacting the friction disc.
- Disc Drive Plate - Using a hand grease gun, lubricate with a Hi Temp EP Moly grease, zerk located beneath the disc drive plate (See III.19, inset) every 25 hours and at the end of the season and/or before storage. To grease zerk, turn disc drive plate clockwise by hand until zerk is clearly visible at front center. **DO NOT** overfill or allow grease to come in contact with the disc drive plate or friction wheel or damage will result. Fill zerk only until grease becomes visible below bearing assembly located under grease zerk. See Lubrication Chart.

SERVICE AND ADJUSTMENTS



ALWAYS DISCONNECT THE SPARK PLUG WIRE AND TIE BACK AWAY FROM THE PLUG BEFORE MAKING ANY ADJUSTMENTS OR REPAIRS.



BE CERTAIN TO MAINTAIN PROPER GROUND CLEARANCE FOR YOUR PARTICULAR AREA TO BE CLEARED. OBJECTS SUCH AS GRAVEL, ROCKS OR OTHER DEBRIS, IF STRUCK BY THE IMPELLER, MAY BE THROWN WITH SUFFICIENT FORCE TO CAUSE PERSONAL INJURY, PROPERTY DAMAGE OR DAMAGE TO THE SNOW THROWER.

TO ADJUST SKID HEIGHT

This snow thrower is equipped with two height adjustment skids, located on the outside of the auger housing (See III.20). These skids elevate the front of the snow thrower.

For normal hard surfaces, such as a paved driveway or walk, adjust the skids as follows:

- Check both tires for equal inflation. Correct tire pressure is 14 to 17 pounds. Do not exceed sidewall maximum pressure on tire.
- Place the extra shear bolts supplied (**found in parts bag**) under each end of the scraper bar near but not under the skid.
- Loosen the skid mounting nuts (See III.20), and adjust the skids up to bring the front of the snow thrower down. Re-tighten the mounting nuts.
- Set the skid on the other side at the same height.

NOTE: For rocky or uneven surfaces, raise the front of the snow thrower by moving the skids down. This will help prevent rocks and other debris from being picked up and thrown by the auger.

TO ADJUST SCRAPER BAR

After considerable use, the metal scraper bar will have a definite wear pattern. The scraper bar in conjunction with the skids should always be adjusted to allow 1/8" between the scraper bar and the sidewalk or area to be cleaned.

- Position the snow thrower on a level surface.
- Make sure both tires are equally inflated. Proper tire pressure is 14 to 17 PSI. See side of tire for maximum inflation. Do not exceed sidewall maximum pressure on tire.
- Loosen the carriage bolts and nuts securing the scraper bar to the auger housing.
- Adjust the scraper bar to the proper position.
- Tighten the carriage bolts and nuts, making sure that the scraper bar is parallel with the working surface.
- For extended operation, the scraper bar may be reversed. If the scraper bar must be replaced due to wear, remove the carriage bolts and nuts and install a new scraper bar.

TO ADJUST THE CLUTCH CONTROL CABLES

Periodic adjustment of the cables may be required due to normal stretch and wear on the belts. To check for correct adjustment, the control lever must be in the full forward position, resting on the plastic bumper. The control cables are correctly adjusted when the center of the "Z" fitting is between the center and top of the hole in the clutch lever and there is no droop in the cable (See III.21).

If adjustment is necessary:

- Remove gas from gas tank. Stand blower on end.
- Disconnect the "Z" fitting from drive lever.
- Pull spring cover up to expose spring. Push the cable through the spring (See III.22) to expose the threaded portion of the cable.
- Hold the square end of the threaded portion with pliers and adjust the locknut in until the excess slack is removed (See III 22 INSET).
- Pull the cable back through the spring and connect the cable. Do the same for the other lever cable.

NOTE: Whenever the traction drive or auger belts are adjusted or replaced, the cables will need to be adjusted.

TO ADJUST BELTS

Belts stretch during normal use. If you need to adjust the belts due to wear or stretch, proceed as follows:

AUGER DRIVE BELT (See III.24)

If your snow thrower will not discharge snow, check the control cable adjustment. If it is correct, then check the condition of the auger drive belt. It may be loose or damaged. If it is damaged, replace it. (See **To Replace Belts** paragraph in this section). If the auger drive belt is loose, adjust as follows:

- Disconnect the spark plug wire.
- Remove the belt cover (See III.25).
- Loosen the nut on the auger idler pulley (See III.23) and move the pulley toward the belt about 1/8".
- Tighten the nut.

SERVICE AND ADJUSTMENTS

- Press the auger drive lever. Check the tension on the belt (**opposite auger idler pulley**). The belt should deflect about 1/2" with moderate pressure (**See III.23**).

NOTE: You may have to move the auger idler pulley more than once to obtain the correct tension.

- Replace the belt cover.
- Check the clutch control cable adjustment.
- Reconnect the spark plug wire.

TRACTION DRIVE BELT

The traction drive belt has constant spring pressure and does not require adjustment.

- Replace the traction drive belt if it is slipping (**See To Replace Belts paragraph in this section**).

TO REPLACE BELTS

The drive belts on this snow thrower are of special construction and should be replaced with original equipment belts available from your nearest authorized service representative. A distributor's list is on the inside back cover of this manual.

You will need the assistance of a second person while replacing the belts.

Drain the gasoline from the fuel tank by removing the fuel line. Drain the gas and reinstall the fuel line.



**DRAIN THE GASOLINE OUTDOORS,
AWAY FROM FIRE OR FLAME.**

AUGER DRIVE BELT

If your snow thrower will not discharge snow, and the auger drive belt is damaged, replace it as follows:

- Disconnect the spark plug wire.
- Remove the belt cover (**See III.25**).
- Loosen the belt guides (**See III.24**) and pull away from the engine drive pulley.
- Loosen the nut on the idler pulley (**See III.24**) and pull idler pulley away from the belt.
- Remove belt from engine drive pulley.
- Remove top two bolts securing auger housing to motor mount frame. Loosen bottom two bolts (**III.27**).
- Auger housing and motor mount frame will separate, hinged by bottom two bolts.
- Remove old belt from the auger drive pulley.
- Install new replacement belt of the same type onto the auger pulley.
- Position belt onto engine drive pulley.
- Adjust the auger drive belt (**See To Adjust Auger Drive Belt paragraph in this section**).
- Adjust the belt guides (**See To Adjust The Belt Guides paragraph in this section**).
- Replace top two bolts. Re-tighten bottom two bolts.

- Reinstall the belt cover.
- Check the clutch control cable adjustment (**See To Adjust The Clutch Control Cables in this section**).
- Reconnect the spark plug wire.

TRACTION DRIVE BELT (See III.24)

If your snow thrower will not move forward, check the traction drive belt for wear. (**Check other causes also in the Trouble Shooting Points section**). If the traction drive belt needs to be replaced, proceed as follows:

- Disconnect the spark plug wire.
- Remove the belt cover. (**See III.25**)
- Loosen belt guides and pull guides away from the engine drive pulley. (**See III.24**)
- Loosen nut on auger idler and pull auger idler pulley away from belt.
- Remove auger drive belt from engine pulley.
- Pull the traction drive belt idler pulley away from the drive belt.
- Remove drive belt.
- Position new replacement belt of the same type onto traction pulley.
- Pull idler pulley away from belt, allowing belt to be positioned onto engine pulley.
- Release idler pulley. Ensure idler pulley is properly engaged with belt.
- Adjust belt guides and tighten the mounting screws (**See To Adjust The Belt Guides paragraph in this section**).
- Reinstall the belt cover.
- Reconnect the spark plug wire.

TO ADJUST THE BELT GUIDES

There are two belt guides on your snow thrower, a left and right. After you replace the traction drive belt, you need to adjust one or both of the belt guides. Proceed as follows for each belt:

- Disconnect the spark plug wire.
- Remove the belt cover.
- Engage the auger drive clutch lever.
- Measure the distance between the belt guides and the belt (**See III.26**). The distance should be 3/32" for each guide.
- If adjustment is necessary, loosen the belt guide mounting bolts. Move the belt guides to the correct position. Tighten the mounting bolts.

SERVICE AND ADJUSTMENTS

- Reinstall the belt cover.
- Reconnect the spark plug wire.

TO ADJUST THE FRICTION WHEEL

If the snow thrower will not move forward, you need to check the traction drive cable or the friction wheel. If the friction wheel is worn or damaged, it will need to be replaced. See To Replace Friction Wheel paragraph in this section. If the friction wheel is not worn or damaged, check the adjustment, as follows:

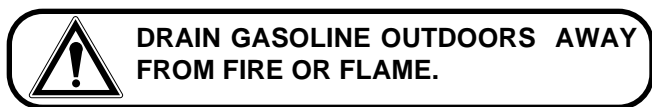
- Disconnect the spark plug wire.
- Drain the gasoline from the gas tank.
- Stand the snow thrower on the auger housing end.
- Remove the bottom panel (**See III.27**).
- Position the shifter lever in first (1) gear.
- Note the position of the friction wheel on the disc drive plate. The right outer side of the disc drive plate should be 3" from the center of the friction wheel (**See III.28**).

If adjustment is necessary:

- Remove washer and cotter pin connecting trunion nut to speed rod (**See III.29**).
- Twist trunion nut up or down on shift rod to obtain the correct friction wheel position.
- Put end of trunion nut through hole in speed rod and reattach washer and cotter pin (**See III.29**).
- Reinstall the bottom panel.
- Lower the snow thrower onto the tracks.

TO REPLACE FRICTION WHEEL

If the snow thrower will not move forward, and the friction wheel is worn or damaged, you need to replace it as follows: (**First allow the engine to cool.**)



- Drain the gasoline from the fuel tank by removing the fuel line. Drain the fuel and reinstall the fuel line.
- Disconnect the spark plug wire.
- Stand the snow thrower up on the auger housing end (**See III.31**).
- Remove the bottom panel (**See III.27**).
- Remove shift rod from speed rod. (**See III.29**)
- Remove the three (3) fasteners (**screws, lockwashers, and nuts**) securing the friction wheel to hub (**See III.30**) and set fasteners aside.

NOTE: Note position of special washers and retaining ring on the hex shaft and sprocket assembly.

- Remove the four bolts securing the bearing plates (**both sides**).
- Remove right side bearing plate. Leave hex shaft in original position, and carefully raise hex shaft just until the friction wheel clears the frame enough to be removed.
- Remove friction wheel from hub. Slip friction wheel off hex shaft towards right side (**See III.31**).
- Position new friction wheel onto hub.
- Install bearing plates to original position. Ensure hex shaft is engaged with both bearing plates and special washers are intact.
- Secure bearing plates using bolts removed earlier.
- Secure friction wheel to hub using fasteners removed earlier. Ensure hex shaft turns freely.
- Reinstall shift rod to speed rod.
- Should friction wheel require adjustment, see **To Adjust the Friction Wheel**.

NOTE: Ensure friction wheel and friction disc are free from grease or oil.

- Replace bottom panel.
- Lower the snow thrower.

TO REPLACE AUGER SHEAR BOLT

The augers are secured to the auger shaft with special bolts (**See III.32**) that are designed to break (to protect the machine) if an object becomes lodged in the auger housing. Use of a harder bolt will destroy the protection provided by the shear bolt.

IMPORTANT: TO INSURE SAFETY AND LEVELS, ONLY ORIGINAL EQUIPMENT SHEAR BOLTS SHOULD BE USED. WHEN REPLACING SHEAR BOLTS, BE SURE TO REPLACE SHEAR BOLT SPACERS.

To replace a broken shear bolt, proceed as follows:

- Move the throttle to **STOP** and turn off all controls.
- Disconnect the spark plug wire. Be sure all moving parts have stopped.
- Lubricate the auger shaft zerk fitting (**See the Maintenance section in this manual**).
- Align the hole in the auger with the hole in the auger shaft. Install the new shear bolt, shear bolt spacer, and locknut provided in parts bag.
- Reconnect the spark plug wire.

SERVICE AND ADJUSTMENTS

TO ADJUST CARBURETOR

The carburetor (**See III.33**) has been pre-set at the factory and readjustment should not be necessary. However, if the carburetor does need to be adjusted, proceed as follows:

- Close the high speed adjusting screw by hand.
- Do not over tighten.
- Then open it 1-1/4 to 1-1/2 turns.
- Close the idle adjusting screw by turning clockwise by hand. Do not over tighten.
- Then open it 1-1/4 to 1-1/2 turns.
- Start the engine and let it warm up.
- Set the throttle control to **RUN**. Adjust the high speed adjusting screw **in** until the engine speed or sound alters. Adjust the screw **out** until the engine speed sound alters. Note the difference between the two limits and set the screw in the middle of the range.
- Let the engine run undisturbed for 30 seconds after each setting to allow the engine to react to the previous adjustment.
- Set the throttle control to **SLOW**. Adjust the idle adjusting screw **in** until the engine speed drops, then adjust the screw **out** until the engine speed drops. Note the difference between the two limits and set the screw in the middle of the range.
- If the engine tends to stall under load or does not accelerate from low speed to high speed properly, adjust the high speed screw out in 1/8 turn increments until the problem is resolved. Let the engine run for 30 seconds between settings.

IMPORTANT: NEVER TAMPER WITH THE ENGINE GOVERNOR, WHICH IS FACTORY SET FOR PROPER ENGINE SPEED. OVER-SPEEDING THE ENGINE ABOVE THE FACTORY HIGH SPEED SETTING CAN BE DANGEROUS. IF YOU THINK THE ENGINE -GOVERNED HIGH SPEED NEEDS ADJUSTING, CONTACT YOUR NEAREST AUTHORIZED SERVICE CENTER, WHICH HAS THE PROPER EQUIPMENT AND EXPERIENCE TO MAKE ANY NECESSARY ADJUSTMENTS. A DISTRIBUTOR'S LIST IS ON THE INSIDE BACK COVER OF THIS MANUAL.

TO ADJUST OR REPLACE THE SPARK PLUG

If you have difficulty starting your snow thrower, you may need to adjust or replace the spark plug. Follow the instructions below.

Replace the spark plug if the electrodes are pitted or burned or if the porcelain is cracked.

TO ADJUST:

- Clean the spark plug by carefully scraping the electrodes (**do not sand blast or use a wire brush**).
- Be sure the spark plug is clean and free of foreign material. Check the electrodes gap (**See III.34**) with a wire feeler gauge and reset the gap to .030 inch if necessary.

TO REPLACE:

- Remove the spark plug wire.
- Clean the area around the plug base to prevent dirt from entering the engine when the plug is removed.
- Remove the spark plug. If it is cracked, fouled or dirty, it must be replaced.
- Set the gap between the electrodes of the new spark plug at .030 inch. Next, install the spark plug in the cylinder head. Tighten the plug to 18 to 23 foot pounds. If you do not use a torque wrench, tighten the plug firmly (**See III.34**).



CAUTION: NEVER STORE THE ENGINE WITH FUEL IN THE TANK INDOORS OR IN AN ENCLOSED, POORLY VENTILATED AREA WHERE FUEL FUMES MAY REACH AN OPEN FLAME, SPARK OR PILOT LIGHT AS ON A FURNACE, WATER HEATER, CLOTHES DRYER, ETC.

NOTE: Immediately prepare your snow thrower for storage at the end of the season or if the unit will not be used for 30 days or more.

SNOW THROWER

Thoroughly clean the snow thrower.

- Lubricate all lubrication points (**See the Maintenance section**).
- Be sure that all nuts, bolts and screws are securely fastened. Inspect all visible moving parts for damage, breakage and wear. Replace if necessary.
- Touch up all rusted or chipped paint surfaces; sand lightly before painting.
- Cover the bare metal parts of the blower housing auger and the impeller with rust preventative, such as sprayable lubricant.

NOTE: A yearly checkup or tuneup by a authorized Service Center is a good way to insure that your snow thrower will provide maximum performance for the next season.

ENGINE

IMPORTANT: EMPTYING THE FUEL SYSTEM BEFORE STORAGE IS IMPORTANT TO PREVENT GUM DEPOSITS FROM FORMING IN ESSENTIAL FUEL SYSTEM PARTS SUCH AS THE CARBURETOR, FUEL FILTER, FUEL HOSE OR TANK DURING STORAGE. ALSO, EXPERIENCE INDICATES THAT ALCOHOL BLENDED FUELS (CALLED GASOHOL OR USING ETHANOL OR METHANOL) CAN ATTRACT MOISTURE WHICH LEADS TO SEPARATION AND FORMATION OF ACIDS DURING STORAGE. ACIDIC GAS CAN DAMAGE THE FUEL SYSTEM OF AN ENGINE WHILE IN STORAGE.

- Drain the gasoline from the fuel tank by removing the fuel line. Drain the fuel and reinstall the fuel line.



CAUTION: DRAIN FUEL INTO APPROVED CONTAINER OUTDOORS, AWAY FROM OPEN FLAME.

- Start the engine and run at **SLOW (idle)** speed until the engine stops from lack of fuel.
- Drain the carburetor by pressing upward on the bowl drain (**See III.33**), located below the carburetor cover.

NOTE: Fuel stabilizer (**such as STA-BIL**) is an acceptable alternative in minimizing the formation of fuel gum deposits during storage. Add stabilizer to gasoline in the fuel tank or storage container. Always follow the mix ratio found on stabilizer container. Run the engine at least 10 minutes after adding stabilizer to allow the stabilizer to reach the carburetor. Do not drain the gas tank and carburetor if using fuel stabilizer.

- Remove the spark plug and squirt one (1) ounce of engine oil into the cylinder. Pull the recoil starter rope slowly, allowing the piston to coat the internal engine parts. Install an old spark plug. This prevents fouling a new plug with the preservative used to lubricate the internal parts of the engine. Close the choke and plug the muffler opening.

OTHER

- If possible, store your snow thrower indoors and cover it to give protection from dust and dirt.
- If the machine must be stored outdoors, block up the snow thrower to be sure the entire machine is off the ground.
- Cover the snow thrower with a suitable protective cover that does not retain moisture. Do not use plastic.

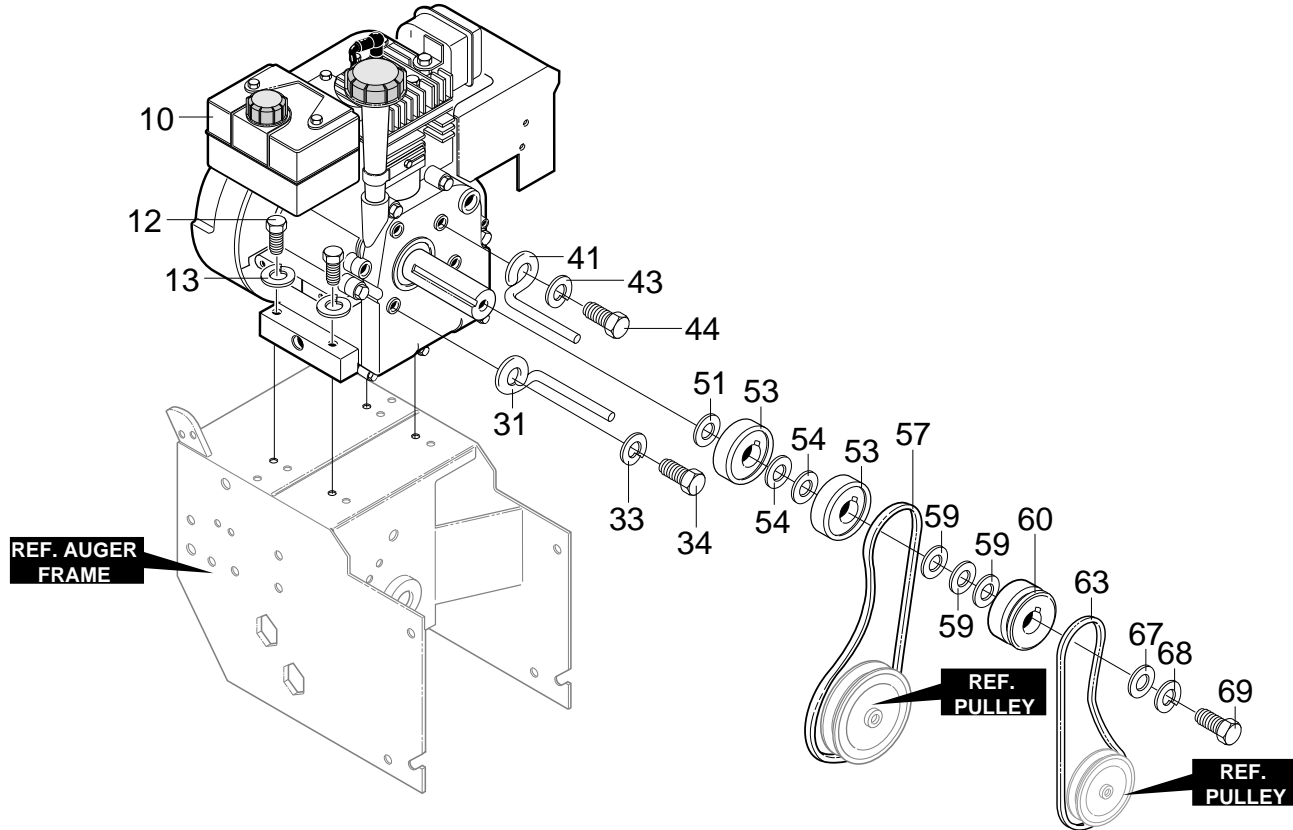
IMPORTANT: NEVER COVER SNOW THROWER WHILE ENGINE AND EXHAUST AREAS ARE STILL WARM.

TROUBLESHOOTING POINTS

TROUBLE	CAUSE	CORRECTION
Difficult starting	Defective spark plug.	Replace defective plug.
	Water or dirt in fuel system.	Use carburetor bowl drain to flush and refill with fresh fuel.
Engine runs erratic	Blocked fuel line or empty gas tank or stale gasoline.	Clean fuel line; check fuel supply; add fresh gasoline.
Engine stalls	Unit running on CHOKE.	Set choke lever to RUN position.
Engine runs erratic; Loss of power	Water or dirt in fuel system.	Use carburetor bowl drain to flush and refill with fresh fuel.
	Carburetor out of adjustment.	Adjust carburetor.
Excessive vibration	Loose parts; damaged impeller.	Stop engine immediately and disconnect spark plug wire. Tighten all bolts and make all necessary repairs. If vibration continues, have the unit serviced by a competent repairman.
Unit fails to propel itself	Drive belt loose or damaged.	Replace drive belt.
	Incorrect adjustment of traction drive cable.	Adjust traction drive cable.
	Worn or damaged friction wheel.	Replace friction wheel.
Unit fails to discharge snow	Auger drive belt loose or damaged.	Adjust auger drive belt; replace if damaged.
	Auger control cable not adjusted correctly.	Adjust auger control cable.
	Shear bolt broken.	Replace shear bolt.
	Discharge chute clogged.	Stop engine immediately and disconnect spark plug wire. Clean discharge chute and inside of auger housing.
	Foreign object lodged in auger.	Stop engine immediately and disconnect spark plug wire. Remove object from auger.

24" SNOW THROWER MODEL ST 724

ENGINE REPAIR PARTS

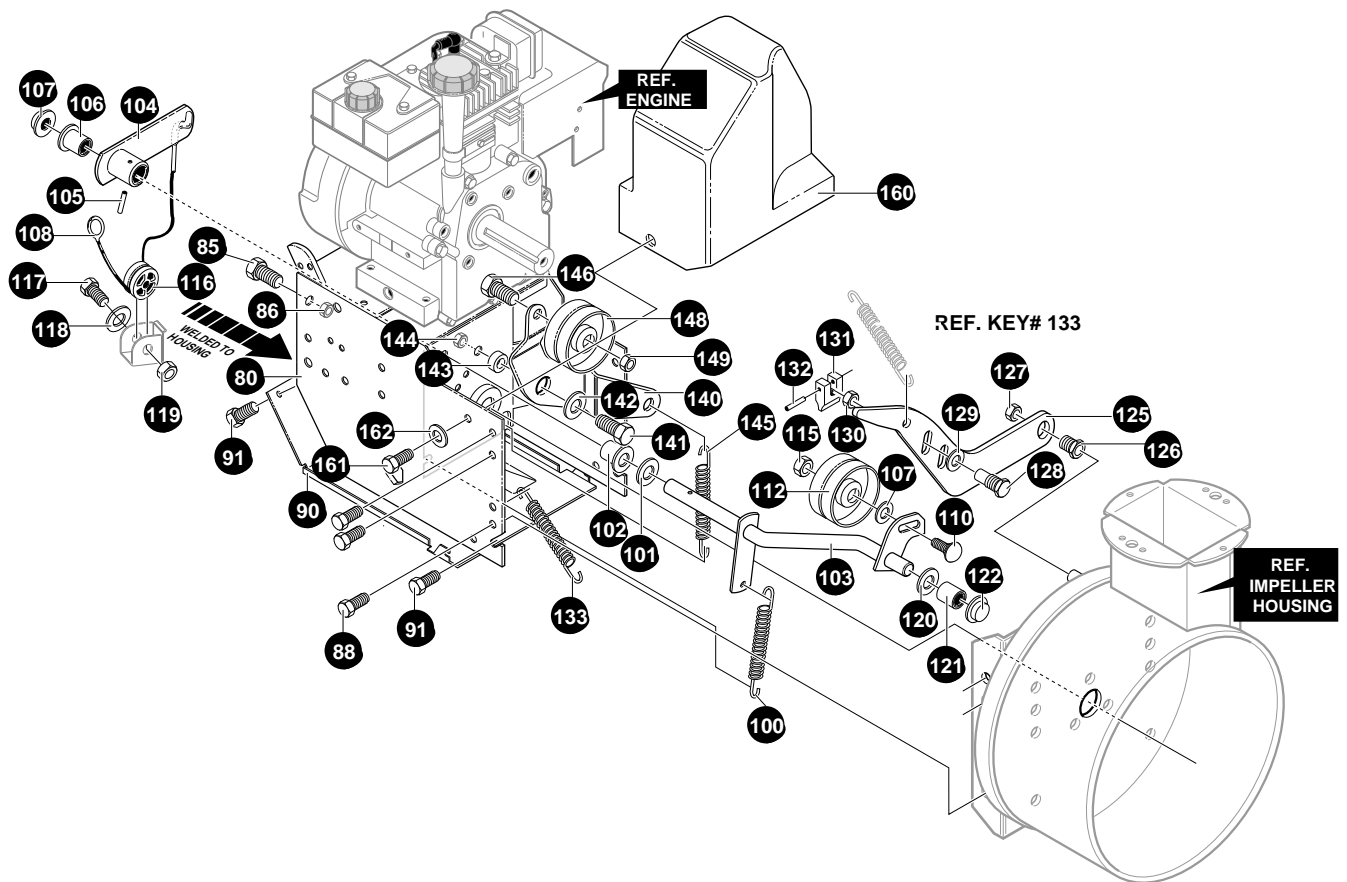


REF. NO.	PART NO.	PART NAME
10	ENGINE	7HP TEC (SEE ENGINE MANUAL)
12	601 00 00-73	SCREW, 5/16-18 X .75
13	601 00 00-23	WASHER, HVSP TLK .328X.60X.09
31	601 00 14-32	GUIDE, ROD BELT RH
33	601 00 00-23	WASHER, HVSP TLK .328X.60X.09
34	601 00 14-33	SCREW 5/16-24X.625
41	601 00 14-32	GUIDE, ROD BELT LH
43	601 00 00-23	WASHER, HVSP TLK .328X.60X.09
44	601 00 14-33	SCREW 5/16-24X.625
51	601 00 14-34	WASHER, CRANKSHAFT
53	601 00 14-36	PULLEY, HALF V3L 2.00X.752ID
54	601 00 14-35	FLATWASHER, .752X.91X.02
57	601 00 14-37	BELT, V 3L 33.13LG
59	601 00 14-38	FLATWASHER, .765X1.12X.06
60	601 00 15-93	PULLEY, ENGINE V 4L
63	601 00 17-37	BELT, V 4L 36.6LG
67	601 00 14-41	FLATWASHER
68	601 00 00-15	WASHER, REGSPTLK .393X.60X.10
69	601 00 05-27	SCREW 3/8-24 X 1.00 NYL
	601 00 17-36	OWNER'S MANUAL ENG/FR

319042E

24" SNOW THROWER MODEL ST 724

FRAME REPAIR PARTS



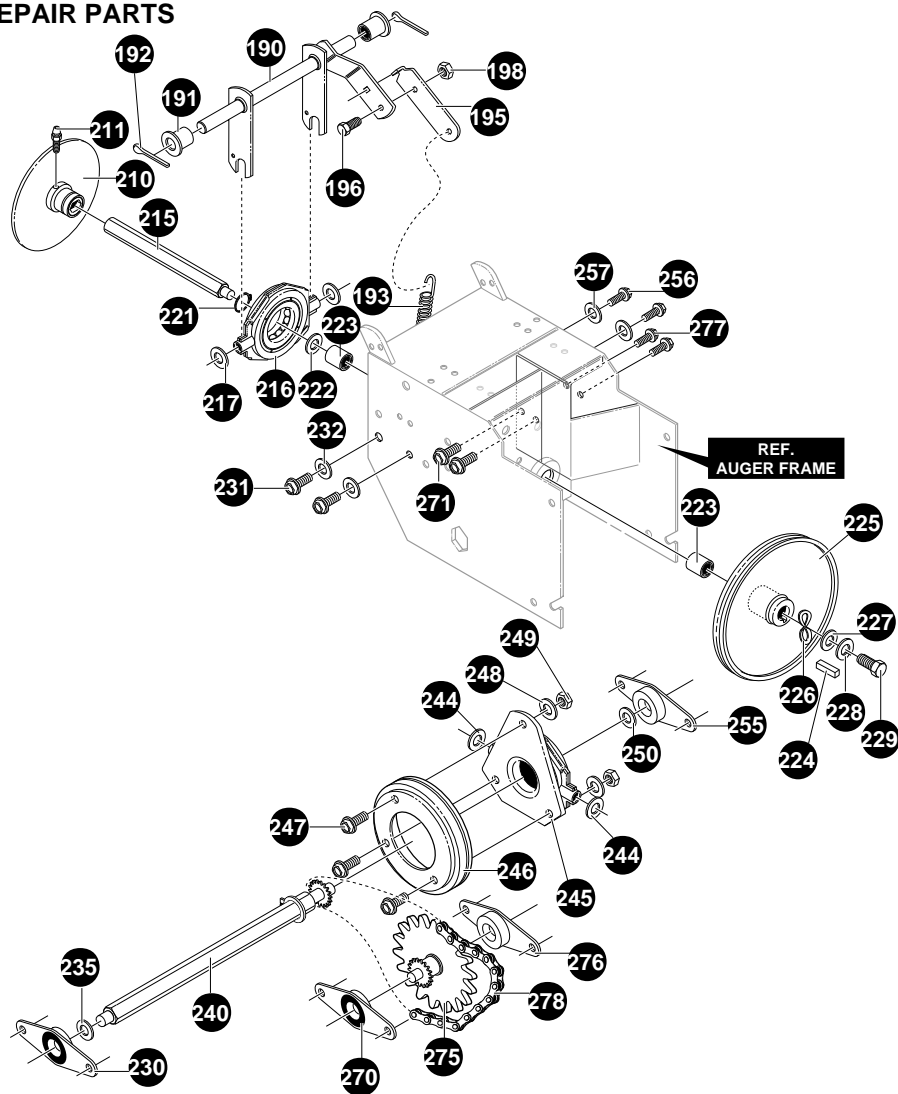
REF. NO	PART NO.	PART NAME
80	601 00 17-38	FRAME, ASSY ENG. MT.
85	601 00 14-43	SCREW 5/16-24X1.00
86	601 00 08-23	NUT, 5/16-24 HEXWD FLLK
88	601 00 05-19	SCREW, 5/16-18X.50 WAHHTAP
90	601 00 17-39	COVER, BOTTOM WHEEL DRIVE
91	601 00 14-45	SCREW 1/4-20 X .63 WAHHTAP
100	601 00 10-89	IDLER SPRING
101	601 00 14-46	FLATWASHER, .53X1.00X.063
102	601 00 14-47	BEARING FLANGE
103	601 00 15-97	ASSY, SHAFT AUG CLUTCH
104	601 00 14-49	LEVER, ASSY AUGER CLUTCH
105	601 00 14-51	SPRING PIN .165DIA X.88LG
106	601 00 14-47	BEARING, FLANGE
107	601 00 14-52	NUT, 1/2 PUSH ON
108	601 00 14-53	CABLE, .205 EYE 6.125LG
110	601 00 15-98	BOLT, 3/8-16X1.25 CARR.
111	601 00 00-20	FLATWASHER .406X.81X.065
112	601 00 14-54	PULLEY, IDLER
115	601 00 13-35	NUT, 3/8-16 HEXCTRLKJAM
116	601 00 14-55	SPOOL, CABLE AUGER CLUTCH
117	601 00 14-56	SCREW 1/4-20X1.75
118	601 00 00-18	FLATWASHER .281X.63X.065
119	601 00 00-62	NUT 1/4-20 REGHEXCTRLK
120	601 00 14-46	FLATWASHER .53X1.00X.063

REF. NO	PART NO.	PART NAME
121	601 00 15-99	BEARING SLEV .520IDX.70ODX.65
122	601 00 14-52	NUT 1/2 PUSH ON
125	601 00 16-05	BRACKET, BRAKE ARM
126	601 00 16-02	BOLT, BRAKE ARM 9/16-18
127	601 00 16-01	NUT 9/16-18 JAM CTRLK
128	601 00 16-04	BOLT-BRAKE ARM ADJ
129	601 00 14-73	FLATWASHER .505X1.00X.06
130	601 00 16-03	NUT 1/2-20 JAM CTRLK
131	601 00 14-59	PAD, AUGER/IMPELLER BRAKE
132	601 00 14-51	PIN, SPRING .165DIA X.88LG
133	601 00 14-60	SPRING, TENSION RETURN
140	601 00 14-61	LEVER, IDLER ARM TRACTION
141	601 00 00-73	SCREW 5/16-18X.75
142	601 00 14-62	FLATWASHER .328X1.25X.075
143	601 00 14-63	BUSHING, IDLER LEVER
144	601 00 14-64	NUT, 5/16-18 HEXNYL
145	601 00 10-89	IDLER SPRING
146	601 00 17-40	SCREW 3/8-16X1.25
148	601 00 14-54	PULLEY, IDLER
149	601 00 13-35	NUT, 3/8-16 HEXCTRLKJAM
160	601 00 14-65	COVER, BELT
161	601 00 14-45	SCREW 1/4-20X.63 WAHHTAP
162	601 00 00-18	FLATWASHER .281X.63X.065

334338B

24" SNOW THROWER MODEL ST 724

DRIVE COMPONENT REPAIR PARTS

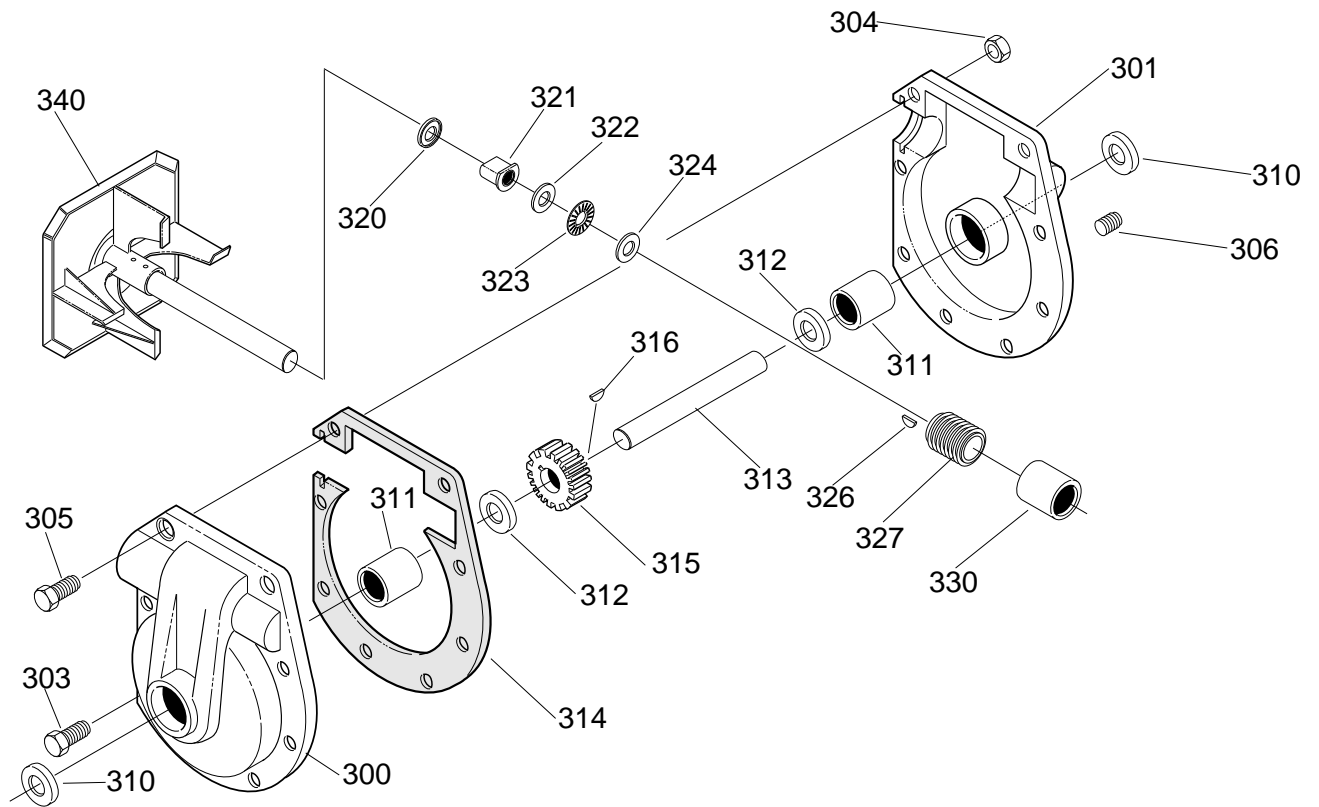


REF. NO	PART NO.	PART NAME
190	601 00 14-66	LEVER, ASSY TRACTION CLUTCH
191	601 00 14-47	BEARING, FLANGED
192	601 00 09-30	COTTER PIN .125 DIA X 1.00 LG
193	601 00 14-67	SPRING, RETURN
195	601 00 14-68	LEVER, SPRING TRAC CLUTCH
196	601 00 13-74	SCREW, 1/4-20 X .63
198	601 00 00-62	NUT, 1/4-20 REG HEX CTRLK
210	601 00 14-69	DISC, ASSY FRICTION WHEEL
211	601 00 14-70	ZERK, GREASE
215	601 00 14-71	SHAFT, HEX TRACTION
216	601 00 14-72	BEARING, TRUNION
217	601 00 14-73	FLATWASHER, .680 X 1.12 X .060
221	601 00 14-74	RING, RETEX 1.16 X .05 TRU
222	601 00 14-75	FLATWASHER, .680 X 1.12 X .060
223	601 00 05-65	BEARING, BALL 6203-2AA-C3
224	601 00 14-76	KEY, SQUARE .18 SQ X .63 LG
225	601 00 14-77	PULLEY, V3L 6.50 X .56
226	601 00 14-78	WASHER, WAVE .675 X 1.00 X .020
227	601 00 00-03	FLATWASHER, .281 X 1.00 X .063
228	601 00 00-14	WASHER, RSPTLK .263 X .49 X .07
229	601 00 00-68	SCREW 1/4-20 X .75

REF. NO	PART NO.	PART NAME
230	601 00 14-79	BEARING & RETAINER ASSY
231	601 00 05-19	SCREW 5/16-18 X .50 WAHTAP
232	601 00 00-23	WASHER, HVSP TLK .328 X .60 X .09
235	601 00 14-80	WASHER, SP .502 X .75 X .0605
240	601 00 14-81	SHAFT & SPROCKET ASSY
244	601 00 14-73	FLATWASHER .505 X 1.00 X .06
245	601 00 17-41	BEARING, TRUNION CLUTCH
246	601 00 14-83	WHEEL, ASSY FRICTION DISC
247	601 00 13-74	SCREW, 1/4-20 X .63
248	601 00 00-14	WASHER, RGSPTLK .263 X .49 X .07
249	601 00 00-11	NUT, 1/4-20 REG HEX
250	601 00 14-80	WASHER, SP .502 X .75 X .0605
255	601 00 14-79	BEARING & RETAINER ASSY
256	601 00 05-19	SCREW 5/16-18 X .50 WAHTAP
257	601 00 00-23	WASHER, HVSP TLK .328 X .60 X .09
270	601 00 14-79	BEARING & RETAINER ASSY
271	601 00 05-19	SCREW 5/16-18 X .50 WAHTAP
275	601 00 14-85	JACK, ASY #41-36T&8T W/PBRG
276	601 00 14-79	BEARING & RETAINER ASSY
277	601 00 05-19	SCREW 5/16-18 X .50 WAHTAP
278	601 00 14-86	CHAIN ROLLER #42 X 40P

24" SNOW THROWER MODEL ST 724

GEAR BOX REPAIR PARTS

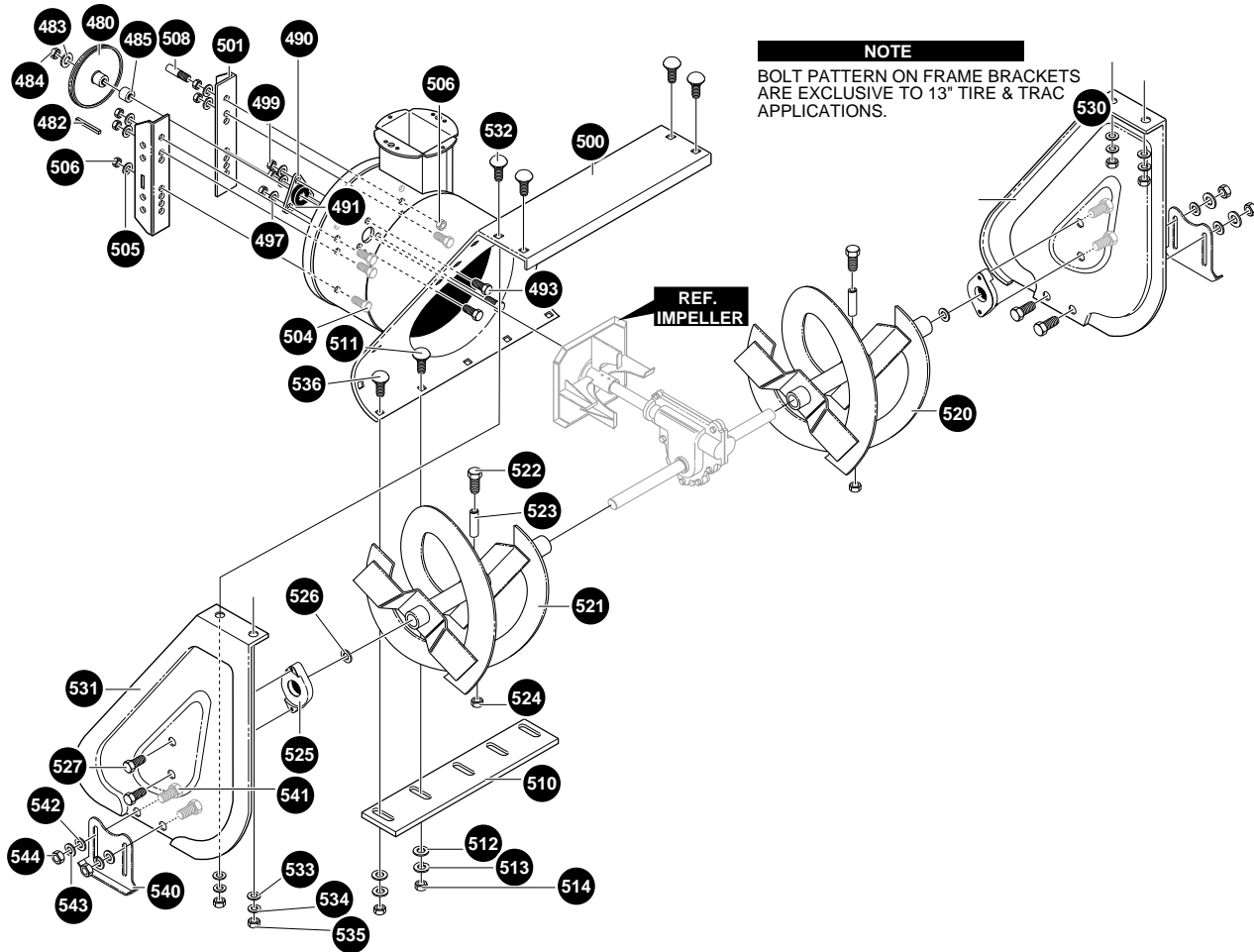


REF. NO	PART NO.	PART NAME
300	601 00 14-87	CASE, GEAR RH
301	601 00 14-88	CASE, GEAR LH
303	601 00 14-43	SCREW 5/16-24X1.00
304	601 00 08-23	NUT, 5/16-24 HEXWDFLLK
305	601 00 16-07	SCREW, 5/16-24X1.50
306	601 00 14-90	PIPE PLUG
310	601 00 14-91	SEAL, OIL
311	601 00 14-92	BEARING, SLEEVE
312	601 00 14-93	FLATWASHER
313	601 00 14-94	SHAFT, AUGER OUTPUT 22"
314	601 00 14-95	GASKET, GEAR BOX
315	601 00 14-96	WORM GEAR
316	601 00 14-97	KEY, WOODRUFF #91
320	601 00 14-98	RING, QUAD
321	601 00 14-99	BEARING, FLANGE
322	601 00 15-00	FLATWASHER .752X1.24X.093
323	601 00 15-01	BEARING, ROLL
324	601 00 15-00	FLATWASHER .752X1.24X.093
326	601 00 15-02	KEY, HI-PRO 606
327	601 00 15-03	WORM GEAR
330	601 00 15-04	BRING, SLEV .752IDX.88ODX.755
340	601 00 15-05	IMPELLER, ASSY

314014C

24" SNOW THROWER MODEL ST 724

AUGER HOUSING REPAIR PARTS



NOTE
BOLT PATTERN ON FRAME BRACKETS
ARE EXCLUSIVE TO 13" TIRE & TRAC
APPLICATIONS.

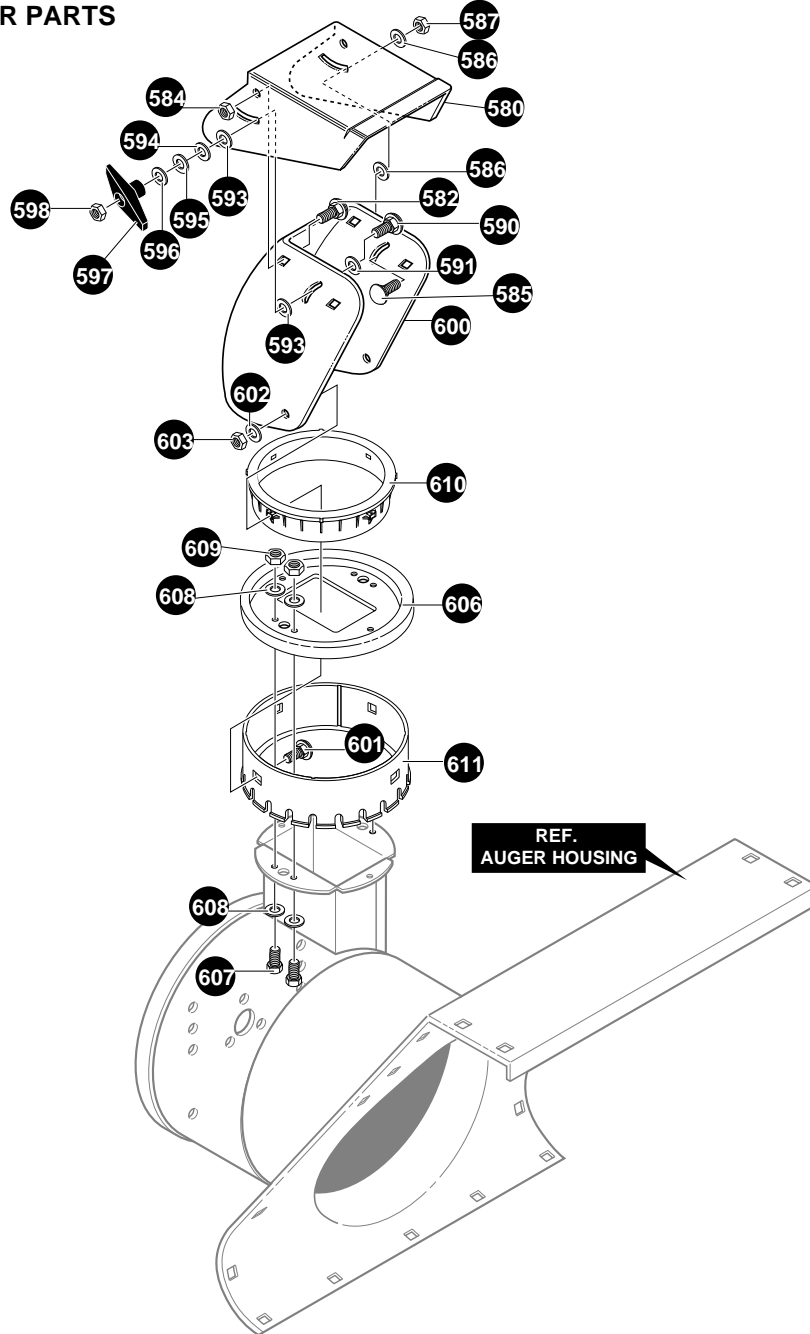
REF. NO	PART NO.	PART NAME
480	601 00 16-09	PULLEY, V4L 8.40
482	601 00 15-07	KEY, SQUARE .18SQX.88LG
483	601 00 14-46	FLATWASHER, .53X1.00X.063
484	601 00 01-07	NUT, 1/2-20 REGHXCTRLK
485	601 00 16-10	SPACER, SLEV .676X1.00X.53
490	601 00 15-09	RETAINER, BALL
491	601 00 05-65	BRING, BALL 6203-2AA-C3
493	601 00 00-73	SCREW 5/16-18X.75
497	601 00 00-23	WASHER, HVSPTLK .328X.60X.09
499	601 00 00-12	NUT, 5/16-18 REGHEX
500	601 00 15-10	HOUSING, ASSY 24/12
501	601 00 16-12	BRACKET & NUTS ASSY
504	601 00 15-12	SCREW 3/8-16X.75
505	601 00 00-15	WASHER, RGSPTLK .393X.68X.10
506	601 00 00-60	NUT 3/8-16 REGHEXCTRLK
508	601 00 17-42	STUD, BRAKE ARM
510	601 00 17-43	BLADE, SCRAPER 24"
511	601 00 14-11	BOLT, 5/16-18X.75 CARR.
512	601 00 00-19	FLATWASHER .344X.69X.065
513	601 00 17-44	WASHER, SPTLK .31X.58X.08
514	601 00 00-12	NUT, 5/16-18 REGHEX

REF. NO	PART NO.	PART NAME
520	601 00 18-69	AUGER, ASSY LH 22"
521	601 00 18-70	AUGER, ASSY RH 22"
522	601 00 14-56	SCREW 1/4-20X1.75
523	601 00 15-17	SPACER, SLEV .250X.47X.20
524	601 00 00-62	NUT 1/4-20 REGHEXCTRLK
525	601 00 15-18	AUGER SHAFT BEARING
526	601 00 15-19	FLATWASHER 1.005X1.31X.035
527	601 00 05-20	SCREW, 5/16-18X.75 WAHTAP
530	601 00 15-21	PLATE, AUGER HSNG RH
531	601 00 15-20	PLATE, AUGER HSNG LH
532	601 00 14-11	BOLT 5/16-18X.75 CARR.
533	601 00 00-19	FLATWASHER .344X.69X.065
534	601 00 00-23	WASHER, HVSPTLK .328X.60X.09
535	601 00 00-12	NUT, 5/16-18 REGHEX
536	601 00 08-99	BOLT, 5/16-18X1.00 CARR.
540	601 00 17-45	SKID, HEIGHT ADJUST
541	601 00 14-11	BOLT, 5/16-18X.75 CARR.
542	601 00 00-19	FLATWASHER .344X.69X.065
543	601 00 00-23	WASHER, HVSPTLK .31X.58X.08
544	601 00 00-12	NUT, 5/16-18 REGHEX

334396C

24" SNOW THROWER MODEL ST 724

DISCHARGE CHUTE REPAIR PARTS



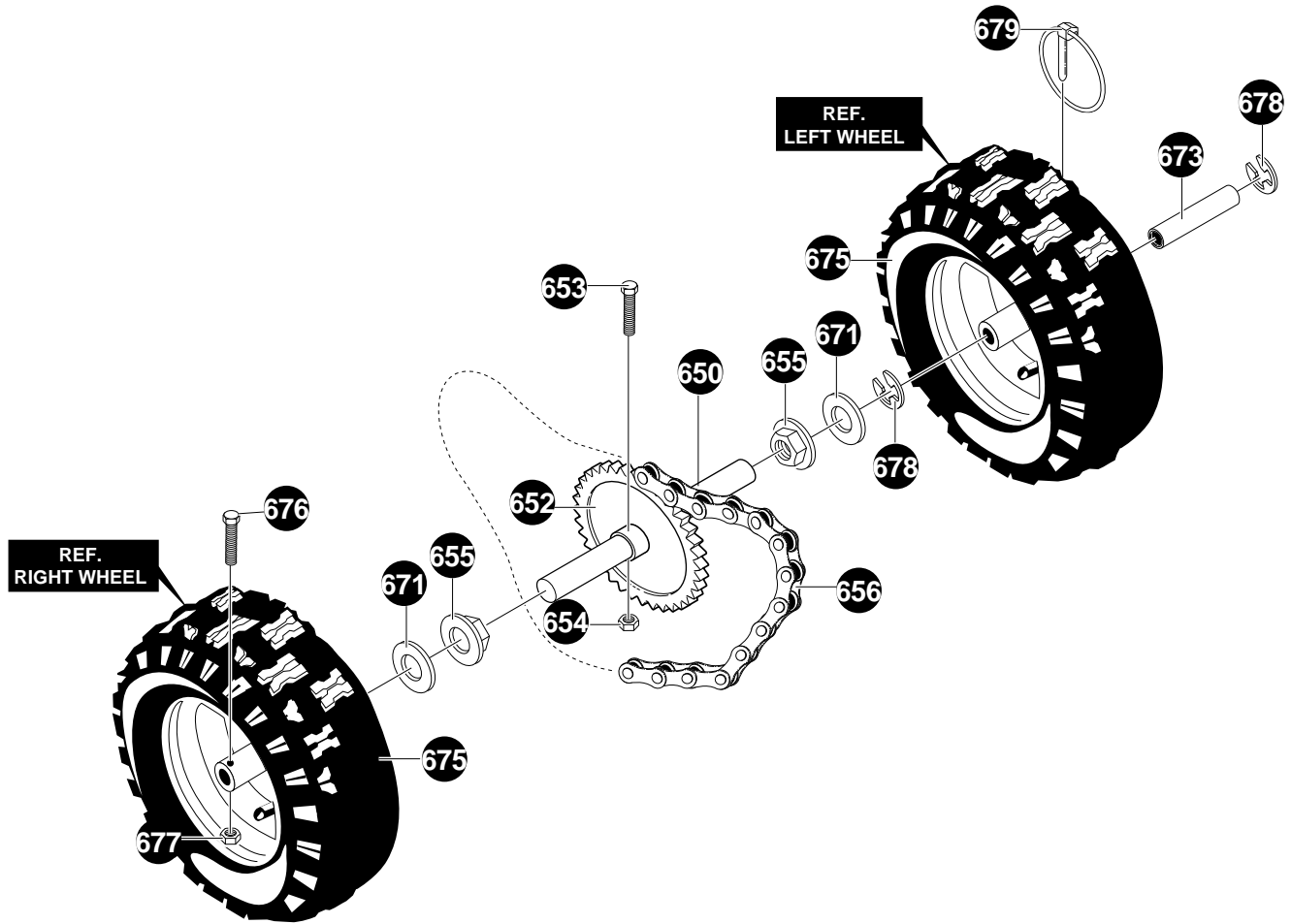
REF. NO	PART NO.	PART NAME
580	601 00 18-36	CHUTE, UPPER
582	601 00 13-91	SCREW, 5/16-18X.75 SLTRMA
584	601 00 14-64	NUT, 5/16-18 HEXNYL
585	601 00 13-91	SCREW, 5/16-18X.75
586	601 00 15-24	WASHER, PLASTIC .315X.75X.064
587	601 00 14-64	NUT, 5/16-18 HEXNYL
590	601 00 08-99	BOLT, 5/16-18X1.00 CARR.
591	601 00 06-54	FLATWASHER .469X.92X.066
593	601 00 15-24	WASHER, PLASTIC .315X.75X.064
594	601 00 00-19	FLATWASHER .344X.69X.065
595	601 00 00-23	WASHER, HVSP TLK .328X.60X.09
596	601 00 00-19	FLATWASHER .344X.69X.065
597	601 00 06-84	KNOB, T 2 BLADE W/5/16-18 NUT

REF. NO	PART NO.	PART NAME
598	601 00 00-12	NUT 5/16-18 REGHEX
600	601 00 18-37	CHUTE, LOWER
601	601 00 08-99	BOLT 5/16-18X1.00 CARR.
602	601 00 00-19	FLATWASHER .344X.69X.065
603	601 00 14-64	NUT 5/16-18 HEXNYL
606	601 00 18-38	COLLAR, CHUTE RECT.
607	601 00 00-68	SCREW 1/4-20X.75
608	601 00 00-18	FLATWASHER, .281X.63X.065
609	601 00 00-62	NUT, 1/4-20 REGHEX CTRLK
610	601 00 18-39	RETAINER, RING INNER
611	601 00 18-40	RETAINER, RING OUTER

337310B

24" SNOW THROWER MODEL ST 724

WHEEL ASSEMBLY REPAIR PARTS

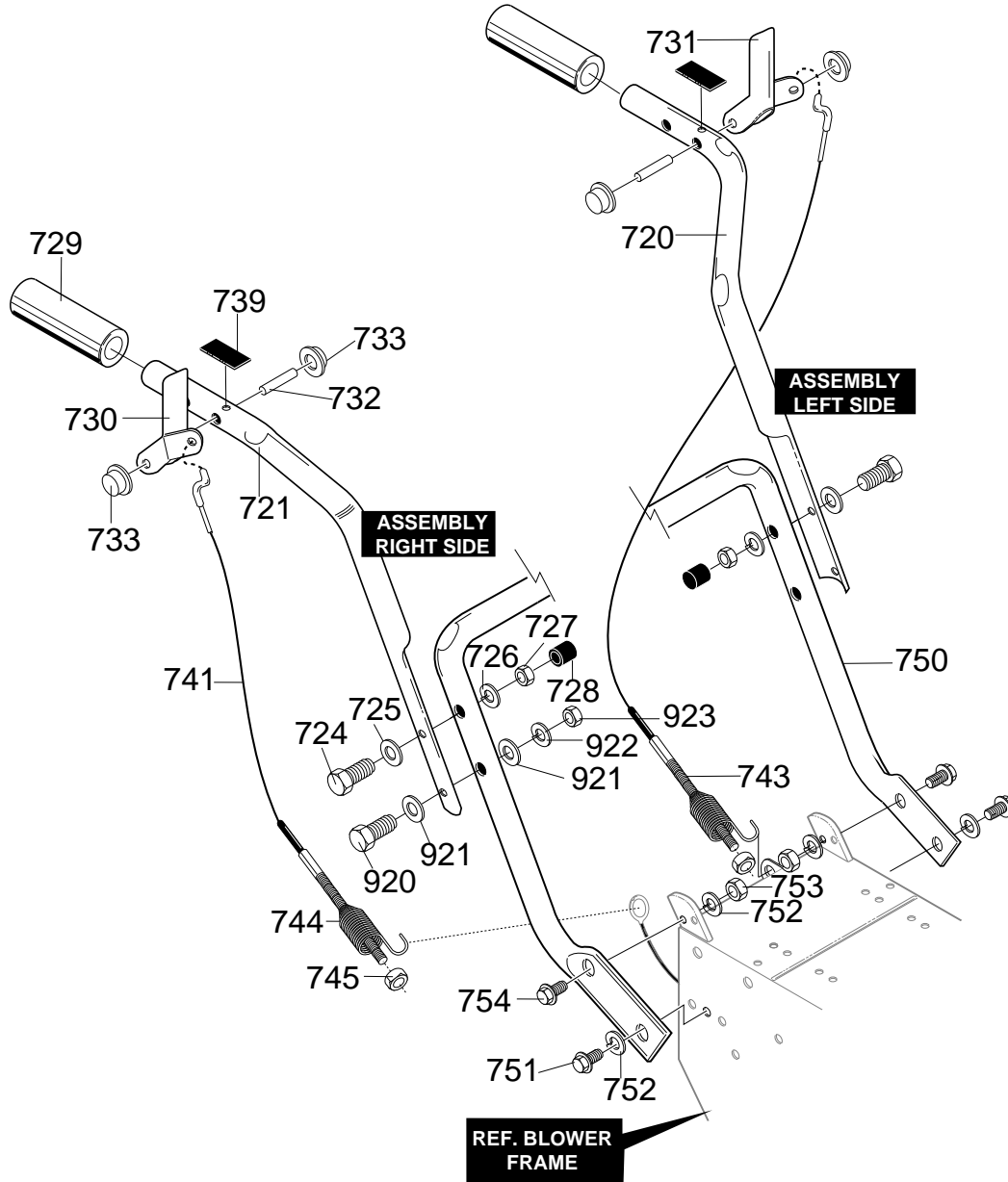


REF. NO	PART NO.	PART NAME
650	601 00 15-33	SHAFT, AXLE WHEEL/MID
652	601 00 15-34	SPROCKET & HUB ASSY
653	601 00 15-35	SCREW 1/4-20X2.25
654	601 00 00-62	NUT, 1/4-20 REGHEXCTRLK
655	601 00 15-36	BEARING, FLANGE
656	601 00 14-86	CHAIN, ROLLER #42 X 40P
671	601 00 14-38	FLATWASHER .765X1.12X.06
673	601 00 17-46	BUSHING, WHEEL 4"LG
675	601 00 17-47	TIRE & RIM 13X5.0X6
676	601 00 15-39	SCREW, SHR 1/4-20X1.75
677	601 00 00-62	NUT 1/4-20 REGHEXCTRLK
678	601 00 15-40	RING, RETAINING
679	601 00 15-41	PIN, KLIK

318542E

24" SNOW THROWER MODEL ST 724

HANDLES REPAIR PARTS

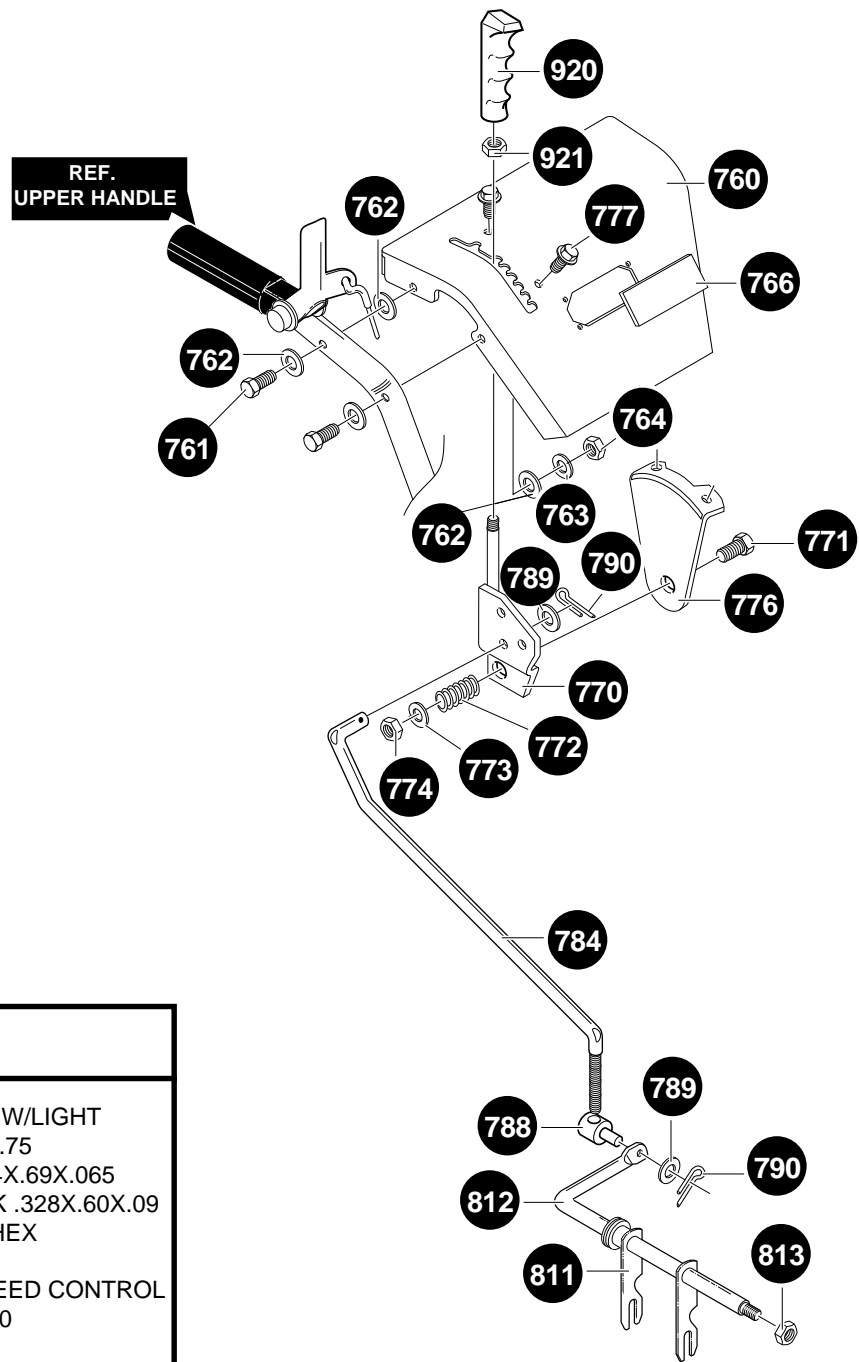


REF. NO	PART NO.	PART NAME
720	601 00 15-42	UPPER HANDLE LH
721	601 00 15-43	UPPER HANDLE RH
724	601 00 15-44	SCREW, 3/8-16X3.00
725	601 00 00-20	FLATWASHER .406X.81X.065
726	601 00 00-15	WASHER, RGSPTLK .393X.68X.10
727	601 00 00-60	NUT, 3/8-16 REGHEXTRLK
728	601 00 15-45	STOP, PLASTIC .375
729	601 00 15-46	GRIP, HANDLE
730	601 00 15-47	HANDLE, CLUTCH RH
731	601 00 15-48	HANDLE, CLUTCH LH
732	601 00 15-49	PIN, PIVOT
738	601 00 05-16	PUSH ON CAP
739	601 00 15-50	BUMPER, RECT

REF. NO	PART NO.	PART NAME
741	601 00 15-51	CABLE, CLUTCH
743	601 00 15-52	SPRING, TENSION
744	601 00 15-53	SPRING, AUGER CLUTCH
745	601 00 00-62	NUT, 1/4-20 REGHEXCTRLK
750	601 00 15-54	HANDLE, LOWER
751	601 00 00-73	SCREW, 5/16-18X.75
752	601 00 00-23	WASHER, HVSPTLK .328X.60X.09
753	601 00 00-12	NUT 5/16-18 REGHEX
754	601 00 05-20	SCREW, 5/16-18X.75 WAHHTAP
920	601 00 15-55	SCREW, 3/8-16X2.00
921	601 00 00-20	FLATWASHER .406X.81X.065
922	601 00 00-15	WASHER RGSPTLK .393X.60X.10
923	601 00 00-60	NUT, 3/8-16 REGHEXCTRLK

24" SNOW THROWER MODEL ST 724

CONTROL PANEL REPAIR PARTS

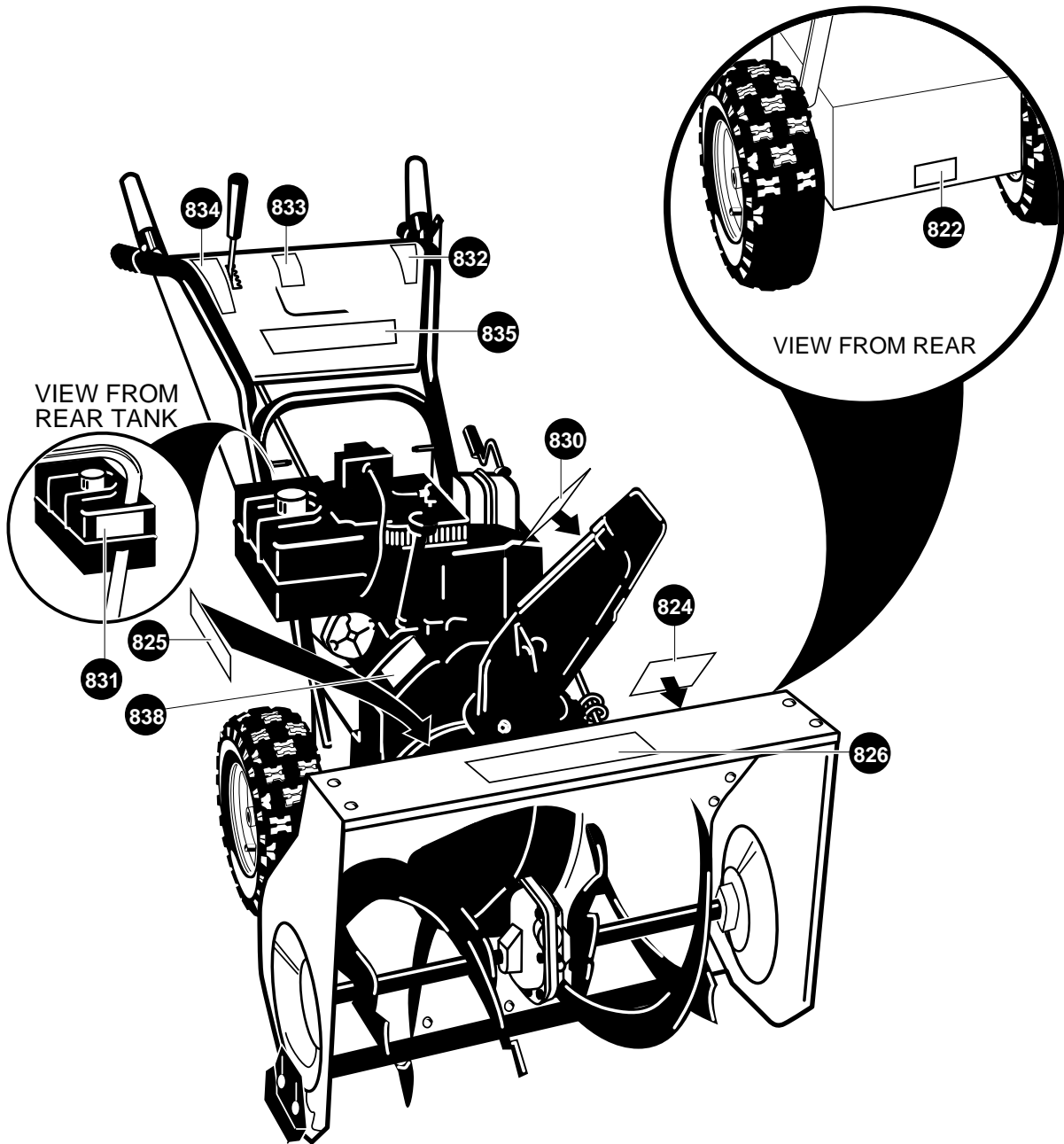


REF. NO	PART NO.	PART NAME
760	601 00 15-56	PANEL, CONTROL W/LIGHT
761	601 00 15-57	SCREW, 5/16-18X1.75
762	601 00 00-19	FLATWASHER .344X.69X.065
763	601 00 00-23	WASHER HVSPTLK .328X.60X.09
764	601 00 00-12	NUT, 5/16-18 REGHEX
766	601 00 15-58	PLATE, PANEL
770	601 00 15-59	HANDLE ASSY SPEED CONTROL
771	601 00 15-55	SCREW 3/8-16X2.00
772	601 00 15-60	SPRING
773	601 00 00-20	FLATWASHER .406X.81X.065
774	601 00 06-53	NUT, 3/8-16 HEXNYL
776	601 00 17-48	BRACKET, SPEED CONTROL
777	601 00 05-20	SCREW, 5/16-18X.75 WAHHTAP
780	601 00 00-25	PIN, COTTER .090DIA X.75LG
781	601 00 00-19	FLATWASHER, .344X.69X.065
784	601 00 15-62	ROD, SPEED CONTROL
788	601 00 15-63	NUT, TRUNNION 5/16-24
789	601 00 00-19	FLATWASHER .344X.69X.065
790	601 00 00-25	COTTER PIN .090DIA X.73LG
811	601 00 15-64	BEARING, FLANGED
812	601 00 15-65	ROD, ASSY YOKE "PANEL"
813	601 00 00-60	NUT 3/8-16 REGHEXCTRLK
920	601 00 02-36	HANDLE, 3/8-16 MOLDED
921	601 00 00-60	NUT, 3/8-16 REGHEXCTRLK

319052F

24" SNOW THROWER MODEL ST 724

DECALS

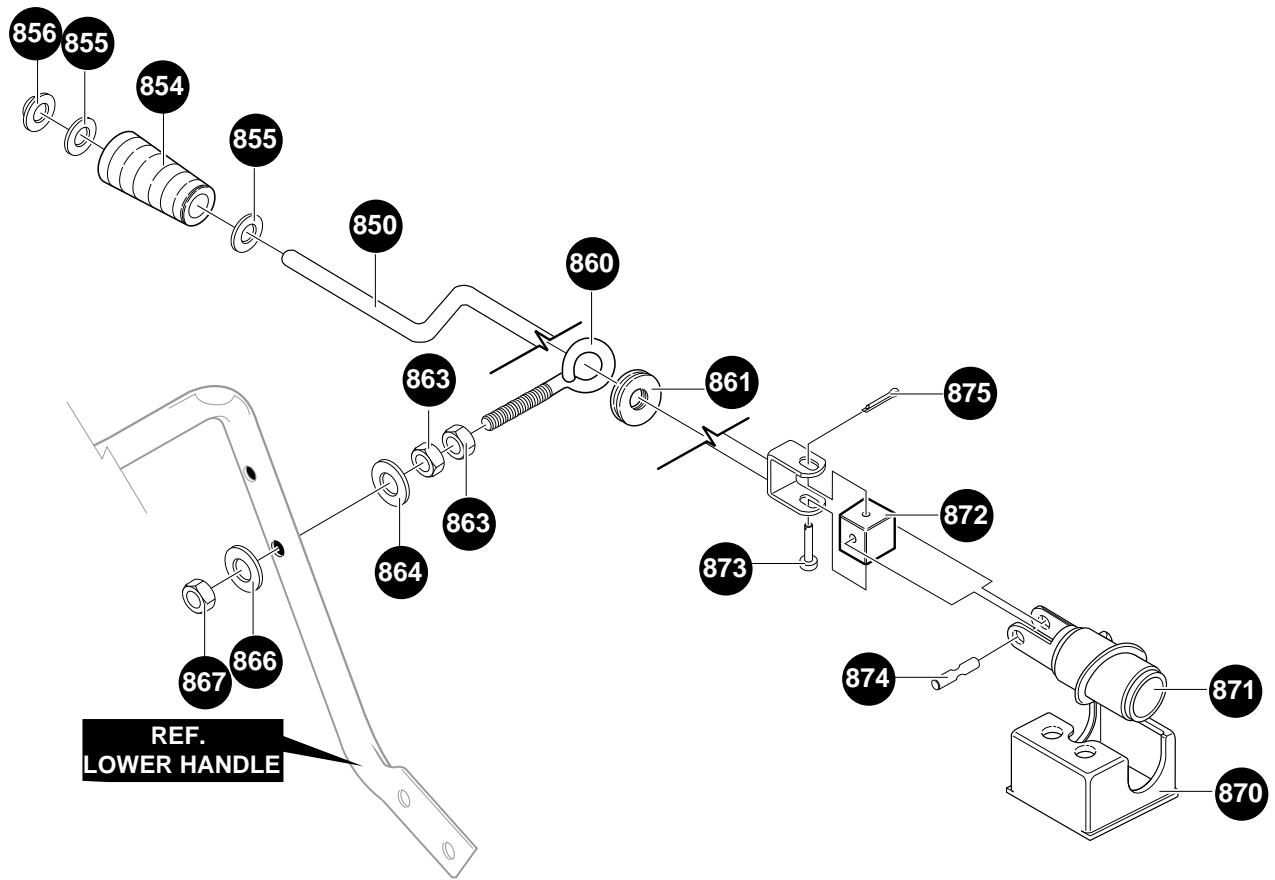


REF. NO	PART NO.	PART NAME
822	601 00 15-75	DECAL, OVER ADJ OF DISC
824	601 00 15-76	DECAL, DANGER FOOT SYM
825	601 00 15-77	DECAL, DUAL STAGE
826	601 00 18-41	DECAL, AUGER HOUSING TOP
830	601 00 15-79	DECAL, DANGER FINGER
831	601 00 15-80	DECAL, FREE IMPELLER
832	601 00 15-81	DECAL, TRACT DR -CHUTE ROT
833	601 00 15-82	DECAL, SNOW CONDITIONS
834	601 00 15-83	DECAL, GEAR SELECT/AUGER
835	601 00 18-42	DECAL, HANDLE PANEL
838	601 00 15-85	DECAL, BELT STRETCH ADJ.

334544C

24" SNOW THROWER MODEL ST 724

CHUTE CONTROL ROD REPAIR PARTS



REF. NO	PART NO.	PART NAME
850	601 00 17-49	CRANK ASSY W/YOKE
854	601 00 15-69	KNOB, SLEEVE
855	601 00 00-20	FLATWASHER .406X.81X.065
856	601 00 12-91	NUT, PUSH ON 3/8"
860	601 00 17-50	EYE BOLT, 3/8-16X6.00
861	601 00 14-08	GROMMET, EYE BOLT
863	601 00 14-09	NUT, 3/8-16 HEXJAM
864	601 00 00-20	FLATWASHER .406X.81X.065
866	601 00 00-20	FLATWASHER, .406X.81X.065
867	601 00 06-53	NUT, 3/8-16 REGHEX
870	601 00 18-30	BRACKET, WORM MOUNTING
871	601 00 18-31	WORM GEAR CHUTE ROTATE
872	601 00 18-32	BLOCK, UNIV. PIVOT
873	601 00 18-33	PIN, CLEVIS
874	601 00 18-34	PIN, UNIV. JOINT
875	601 00 18-35	COTTER PIN .06X.50

336677A

