



Insight™ Series Snowthrower

Model No. 33006—Serial No. 260000001 and Up

Operator's Manual

Introduction

Read this information carefully to learn how to operate and maintain your product properly and to avoid injury and product damage. You are responsible for operating the product properly and safely.

You may contact Lawn-Boy directly at www.Lawn-Boy.com for product and accessory information, help finding a dealer, or to register your product.

Whenever you need service, genuine Lawn-Boy parts, or additional information, contact an Authorized Service Dealer or Lawn-Boy Customer Service and have the model and serial numbers of your product ready. Figure 1 identifies the location of the model and serial numbers on the product. Write the numbers in the space provided.

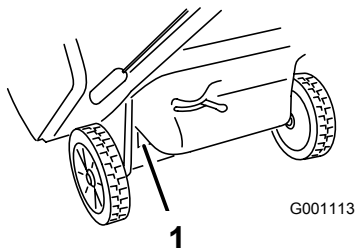


Figure 1

1. Model and serial number location

Model No. _____
Serial No. _____

This manual identifies potential hazards and has safety messages identified by the safety alert symbol (Figure 2), which signals a hazard that may cause serious injury or death if you do not follow the recommended precautions.



Figure 2

1. Safety alert symbol

This manual uses 2 other words to highlight information. **Important** calls attention to special mechanical information and **Note** emphasizes general information worthy of special attention.

Warning

CALIFORNIA

Proposition 65 Warning

The engine exhaust from this product contains chemicals known to the State of California to cause cancer, birth defects, or other reproductive harm.

This spark ignition system complies with Canadian ICES-002

The enclosed *Engine Owner's Manual* is supplied for information regarding the US Environmental Protection Agency (EPA) and the California Emission Control Regulation of emission systems, maintenance, and warranty. Replacements may be ordered through the engine manufacturer.

Safety

This snowthrower meets or exceeds the B71.3 specifications of the American National Standards Institute in effect at the time of production.

Read and understand the contents of this manual before the engine is ever started.

⚠This is the safety alert symbol. It is used to alert you to potential personal injury hazards. Obey all safety messages that follow this symbol to avoid possible injury or death.

Improperly using or maintaining this snowthrower could result in injury or death. To reduce this potential, comply with the following safety instructions.

The following instructions have been adapted from the ANSI/OPEI standard B71.3-2005 and the ISO 8437:1989 standard.

This snowthrower is capable of amputating hands and feet and throwing objects. Failure to observe the following safety instructions could result in serious injury.

Training

- Read, understand and follow all instructions on the machine and in the manual(s) before operating this unit. Be thoroughly familiar with the controls and the proper use of the equipment. Know how to stop the unit and disengage the controls quickly.

- Never allow children to operate the equipment. Never allow adults to operate the equipment without proper instruction.
- Keep the area of operation clear of all persons, particularly small children.
- Exercise caution to avoid slipping or falling.

Preparation

- Thoroughly inspect the area where the equipment is to be used and remove all doormats, sleds, boards, wires, and other foreign objects.
- Release the control bar to disengage the rotor blades before starting the engine.
- Do not operate the equipment without wearing adequate winter garments. Avoid loose fitting clothing that can get caught in moving parts. Wear footwear that will improve footing on slippery surfaces.
- Handle fuel with care; it is highly flammable.
 - Use an approved fuel container.
 - Never add fuel to a running engine or hot engine.
 - Fill fuel tank outdoors with extreme care. Never fill fuel tank indoors.
 - Never fill containers inside a vehicle or on a truck or trailer bed with a plastic liner. Always place containers on the ground, away from your vehicle, before filling.
 - When practical, remove gas-powered equipment from the truck or trailer and refuel it on the ground. If this is not possible, then refuel such equipment on a trailer with a portable container, rather than from a gasoline dispenser nozzle.
 - Keep the nozzle in contact with the rim of the fuel tank or container opening at all times, until refueling is complete. Do not use a nozzle lock-open device.
 - Replace gasoline cap securely and wipe up spilled fuel.
 - If fuel is spilled on clothing, change clothing immediately.
- Use extension cords and receptacles as specified by Lawn-Boy for all units with electric starting motors.
- Do not attempt to clear snow from a gravel or crushed rock surface. This product is intended for use only on paved surfaces.
- Never attempt to make any adjustments while the engine is running (except when specifically recommended by Lawn-Boy).
- Always wear safety glasses or eye shields during operation or while performing an adjustment or repair to protect eyes from foreign objects that may be thrown from the machine.

Operation

- Do not put hands or feet near or under rotating parts. Keep clear of the discharge opening at all times.
- Exercise extreme caution when crossing gravel drives, walks, or roads. Stay alert for hidden hazards or traffic.
- After striking a foreign object, stop the engine, disconnect the wire from the spark plug, thoroughly inspect the snowthrower for any damage, and repair the damage before restarting and operating the snowthrower.
- If the unit should start to vibrate abnormally, stop the engine and check immediately for the cause. Vibration is generally a warning of trouble.
- Stop the engine whenever you leave the operating position, before unclogging the collector/impeller housing or discharge chute, and when making any repairs, adjustments, or inspections.
- When cleaning, repairing or inspecting the snowthrower, stop the engine and make certain the rotor blades and all moving parts have stopped.
- Do not run the engine indoors, except when starting the engine and for transporting the snowthrower in or out of the building. Open the outside doors; exhaust fumes are dangerous.
- Exercise extreme caution when operating on slopes.
- Never operate the snowthrower without proper guards, and other safety protective devices in place and working.
- Never direct the discharge toward people or areas where property damage can occur. Keep children and others away.
- Do not overload the machine capacity by attempting to clear snow at too fast a rate.
- Look behind and use care when backing up with the snowthrower.
- Never operate the snowthrower without good visibility or light. Always be sure of your footing, and keep a firm hold on the handles. Walk; never run.

Clearing a Clogged Discharge Chute

Hand contact with the rotor blades is a common cause of injury associated with snowthrowers. Never use your hand to clean out the discharge chute.

To clear the chute:

- **Shut the engine off!**
- Wait 10 seconds to be sure the rotor blades have stopped rotating.
- Always use a clean-out tool, not your hands.

Maintenance and Storage

- Check all fasteners at frequent intervals for proper tightness to be sure the equipment is in safe working condition.
- Never store the machine with fuel in the fuel tank inside a building where ignition sources are present such as hot water heaters, space heaters, or clothes dryers. Allow the engine to cool before storing in any enclosure.
- Always refer to this operator's manual for important details if the snowthrower is to be stored for an extended period.
- Maintain or replace safety and instruction labels, as necessary.
- Run the machine a few minutes after throwing snow to prevent freeze-up of the rotor blades.

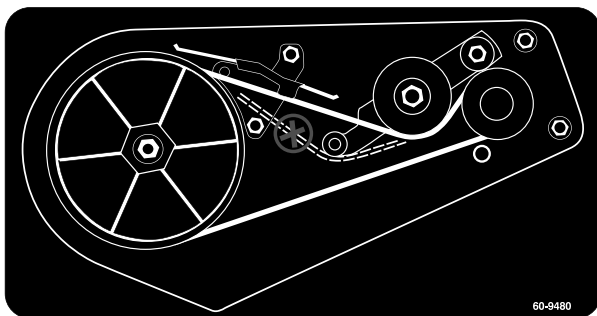
Lawn-Boy Snowthrower Safety

The following list contains safety information specific to Lawn-Boy products or other safety information that you must know.

- **Rotating rotor blades can injure fingers or hands.** Stay behind the handles and away from the discharge opening while operating the snowthrower. **Keep your face, hands, feet, and any other part of your body or clothing away from moving or rotating parts.**
- Before adjusting, cleaning, repairing, and inspecting the snowthrower, and before unclogging the discharge chute, **stop the engine, remove the key, and wait for all moving parts to stop.**

Safety and Instructional Decals

Important: Safety and instruction decals are located near areas of potential danger. Replace damaged decals.



60-9480



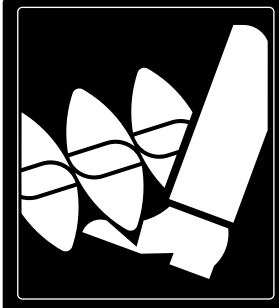
61-4790



104-2767


- Use a stick, **not your hands**, to remove obstructions from the discharge chute.
- **Before** leaving the operating position, stop the engine, remove the key, and wait for all moving parts to stop.
- Do not wear loose-fitting clothing that could get caught in moving parts.
- If a shield, safety device, or decal is damaged, illegible, or lost, repair or replace it before beginning operation. Also, tighten any loose fasteners.
- **Do not** smoke while handling gasoline.
- **Do not** use the snowthrower on a roof.
- Do not touch the engine while it is running or soon after it has stopped because the engine may be hot enough to cause a burn.
- Perform only those maintenance instructions described in this manual. Before performing any maintenance, service, or adjustment, stop the engine, remove the key, and disconnect the wire from the spark plug. If major repairs are ever needed, contact an Authorized Service Dealer.
- Do not change the governor settings on the engine.
- When storing the snowthrower for more than 30 days, drain the fuel from the fuel tank to prevent a potential hazard. Store fuel in an approved fuel container. Remove the key from the ignition switch before storing the snowthrower.
- Purchase only genuine Lawn-Boy replacement parts and accessories.

⚠ DANGER



AVOID INJURY!
KEEP HANDS, FEET AND CLOTHING AWAY FROM ROTATING AUGER.

ÉVITER LES BLESSURES !
TENIR MAINS, PIEDS ET VÊTEMENTS À L'ÉCART DE LA VIS SANS FIN EN ROTATION.




AVOID INJURY !
SHUT OFF ENGINE AND BE SURE ALL PARTS HAVE STOPPED BEFORE UNBLOCKING DISCHARGE CHUTE.

ÉVITER LES BLESSURES !
COUPER LE MOTEUR ET VEILLER À CE QUE TOUTES LES PIÈCES SOIENT IMMOBILISÉES AVANT DE DÉBOUCHER LA GOULOTTE D'ÉJECTION.

104-4135

104-4135

CHOKE
ÉTRANGLEUR



FUEL MIX: 50:1 RATIO UNLEADED GASOLINE TO TORO TWO-CYCLE OIL.

MÉLANGE DE CARBURANT: PROPORTION 50:1 ESSENCE SANS PLOMB POUR HUILE POUR MOTEURS A DEUX-TEMPS TORO.

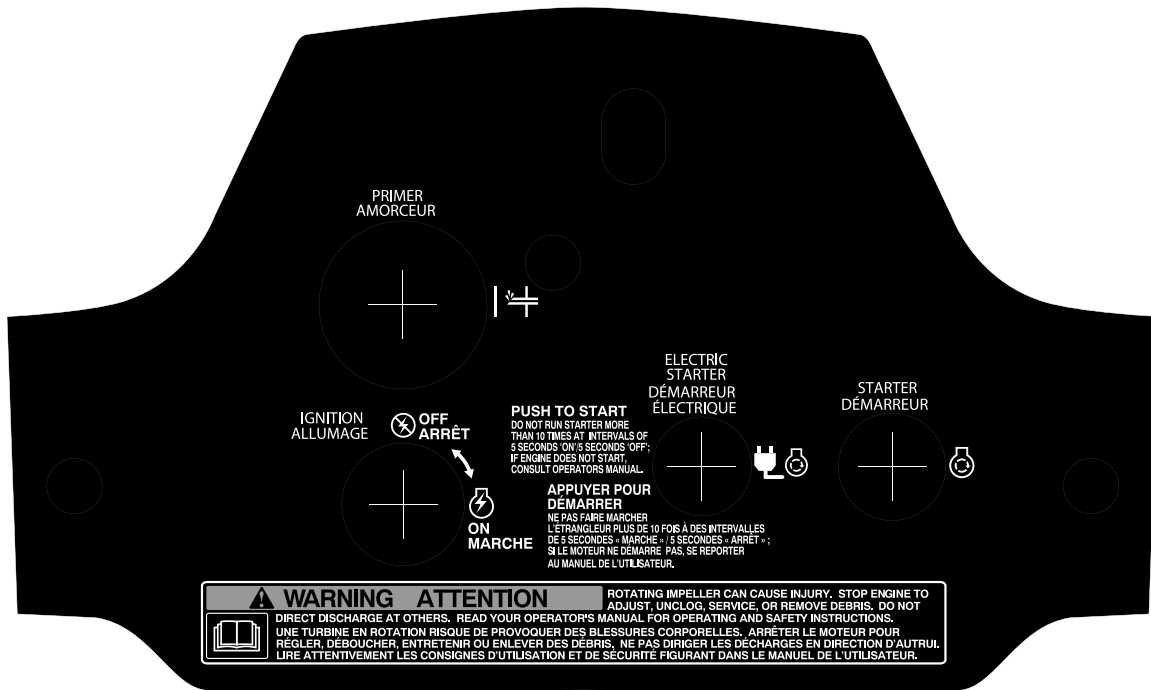
DÉMARRAGE À FROID :
DÉPLACER LE VOLET DE DÉPART VERS LA DROITE, AMORCER À DEUX REPRISES. APRÈS DÉMARRAGE, DÉPLACER LE VOLET DE DÉPART VERS LA GAUCHE.

COLD START:
MOVE CHOKE TO RIGHT. PRIME TWICE. AFTER STARTING, MOVE CHOKE TO LEFT.

FOR OPERATOR'S MANUAL, WRITE US, INCLUDING MODEL AND SERIAL NO. THE TORO CO., 8111 LYNDALE AVE., BLOOMINGTON, MN 55420.
POUR OBTENIR UN MANUEL D'UTILISATEUR, PRIÈRE D'ENVOYER LES RÉFÉRENCES DE MODÈLE ET DE SÉRIE À L'ADRESSE SUIVANTE : THE TORO CO., 8111 LYNDALE AVE., BLOOMINGTON, MN 55420.

105-1978

Reorder part no. 108-7339



105-1981

Reorder part no. 105-3523

<p>Engage</p> <p>Embrayer</p>	<p>Rotor Drive</p> <p>Entraînement Rotor</p> <p>110-3417</p>	<p>Disengage</p> <p>Débrayer</p>	<p>HANDLE HEIGHT ADJUSTMENT KNOB should be on this side.</p> <p>LE BOUTON DE RÉGLAGE DE HAUTEUR DE LA POIGNÉE doit se trouver de ce côté.</p>
-------------------------------	--	----------------------------------	---

110-3417

Setup

1. Installing the Upper Handle

1. Remove the handle knob (Figure 3).

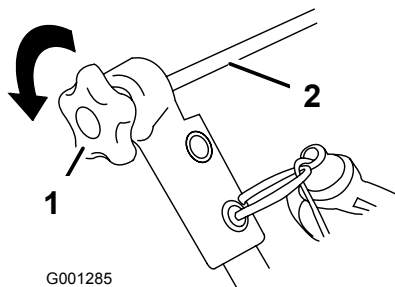


Figure 3

- 1. Handle knob
- 2. Handle rod

2. Remove the handle rod from the handle (Figure 3).

3. Attach the upper handle to the lower handle (Figure 4).

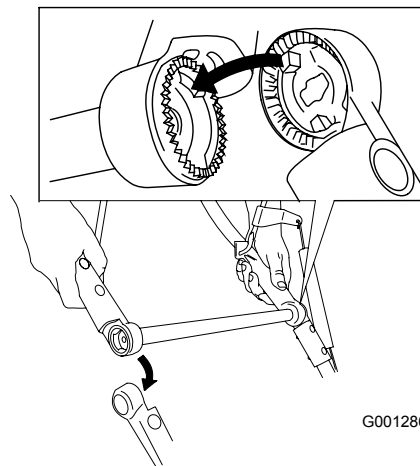


Figure 4

4. Hold the upper handle in place and install the handle rod from the **left side** of the upper handle (Figure 5).

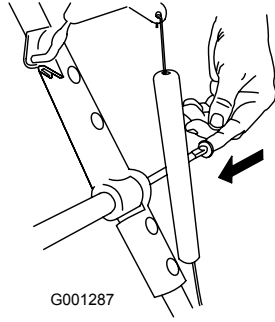


Figure 5

5. Install the handle knob on the handle rod and tighten the knob until it is snug.
6. Adjust the handle height if necessary. Refer to Adjusting the Handle Height.
7. Check the control cable and adjust it if necessary. Refer to Adjusting the Control Cable.

2. Adjusting the Handle Height

You may raise or lower the upper handle to a position comfortable for you.

Note: You cannot raise the upper handle more than in a straight line with the lower handle.

1. Loosen the handle knob (Figure 6).

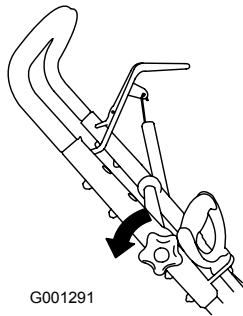


Figure 6

2. Move the upper handle to the desired position (Figure 7).

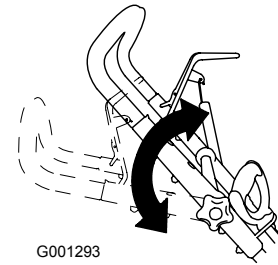


Figure 7

3. Tighten the handle knob (Figure 8).

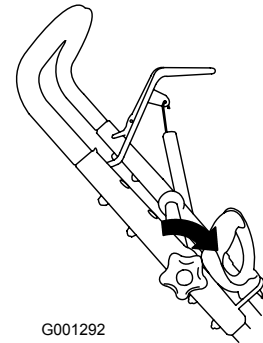


Figure 8

Product Overview

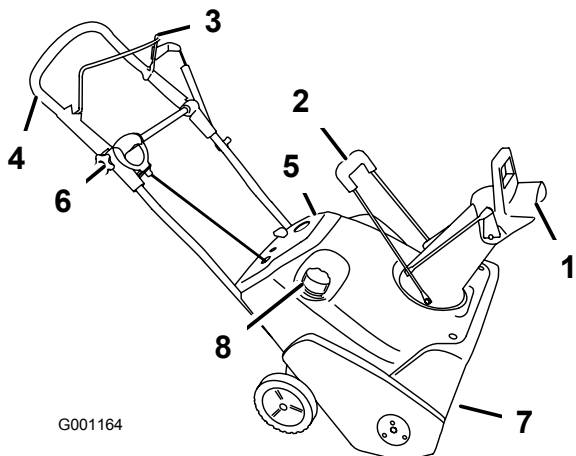


Figure 9

- | | |
|--------------------|--------------------------------------|
| 1. Discharge chute | 5. Control panel |
| 2. Chute handle | 6. Handle knob |
| 3. Control bar | 7. Rotor blades (inside the housing) |
| 4. Upper handle | 8. Fuel tank cap |

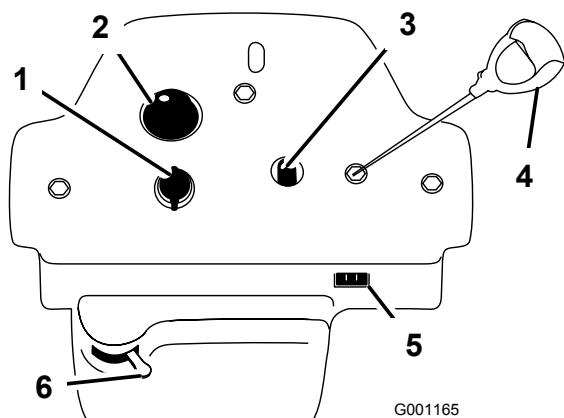


Figure 10

- | | |
|--------------------------|--------------------|
| 1. Key switch | 4. Recoil start |
| 2. Primer | 5. Cord connection |
| 3. Electric-start button | 6. Choke lever |

Operation

Note: Determine the left and right sides of the machine from the normal operating position.

Mixing the Gasoline and Oil

This snowthrower uses a 50:1 gasoline-to-oil mixture. Use **Lawn-Boy 50:1 2-Cycle Oil (Fuel Stabilizer Added)** or an equivalent high-grade, NMMA TCW III-certified two-cycle oil.

Important: To prevent engine damage, do not use automotive oil (such as SAE 30 or 10W30) or fuel mixed at the wrong gasoline-to-oil ratio.

1. Pour a half US gallon (1.9 liters) of fresh, unleaded gasoline into an approved fuel container.
2. Add two-cycle oil to the gasoline according to the chart below (Figure 11):

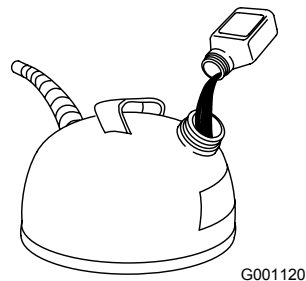


Figure 11

50:1 Gasoline-to-Oil Ratio Mixing Chart	
Gasoline	Oil
1.5 US gallons (5.7 liters)	4.0 ounces (120 ml)
2 US gallons (7.6 liters)	5.2 ounces (160 ml)
3 US gallons (11.4 liters)	8.0 ounces (240 ml)

3. Install the cap on the fuel container.
4. Shake the container to mix the gasoline and oil thoroughly.
5. Slowly remove the cap and add the remaining amount of gasoline.

Note: Do not mix gasoline and oil in the fuel tank. Oil at room temperature mixes easier and more thoroughly than cold oil. Oil below 32°F (0°C) requires additional mixing

Filling the Fuel Tank

Fill the fuel tank with a fresh mixture of gasoline and oil mixed at the proper ratio (Figure 12).

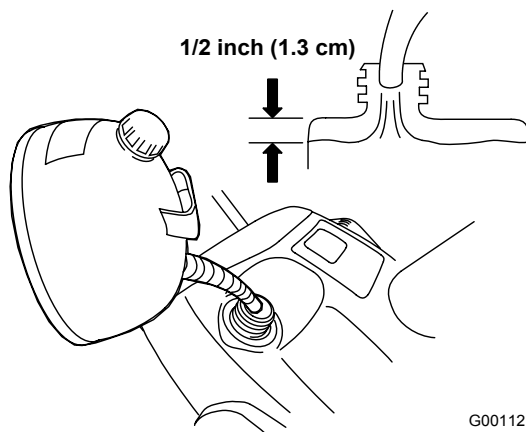


Figure 12

Starting the Engine

1. Turn the ignition key clockwise to the On position (Figure 13).

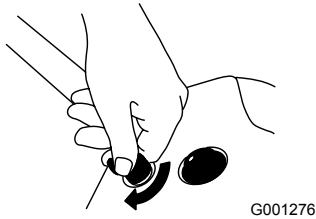


Figure 13

2. Move the choke lever to the right (Figure 14).

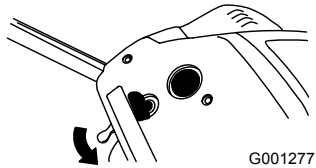


Figure 14

3. Firmly push in the primer 2 times with your thumb, holding the primer in for a second before releasing it each time (Figure 15).

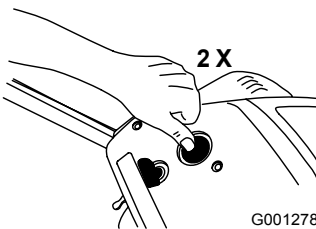


Figure 15

Note: Take your glove off when you push in the primer so that air cannot escape from the primer hole.

4. Start the engine using either the electric-start button (Figure 16) or the recoil starter (Figure 17).

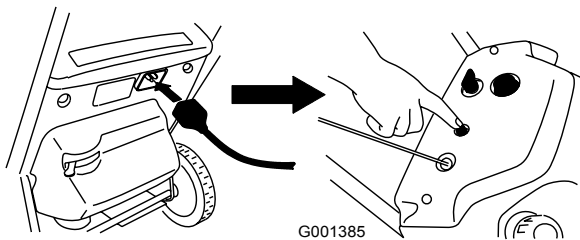


Figure 16

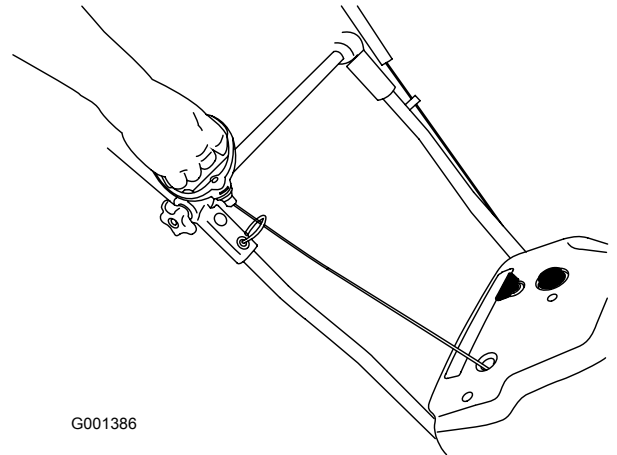



Figure 17

Important: Run the electric starter no more than 10 times at intervals of 5 seconds on, then 5 seconds off. Running the electric starter extensively can overheat and damage it. If the engine does not start after this series of attempts, wait at least 40 minutes to allow the starter to cool before attempting to start it again. If the engine does not start after the second series of attempts, take the snowthrower to an Authorized Service Dealer for service.

5. With the engine running, move the choke lever to the left slowly.



If you leave the snowthrower plugged into a power outlet, someone can inadvertently start the snowthrower and injure people or damage property.

Unplug the power cord whenever you are not starting the snowthrower.

Stopping the Engine

To stop the engine, turn the ignition key counterclockwise to the Off position (Figure 18).

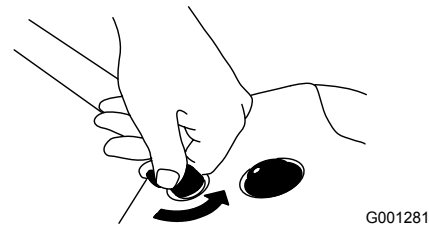


Figure 18

Starting the Rotor Blades

To start the rotor blades, hold the control bar against the handle (Figure 19).

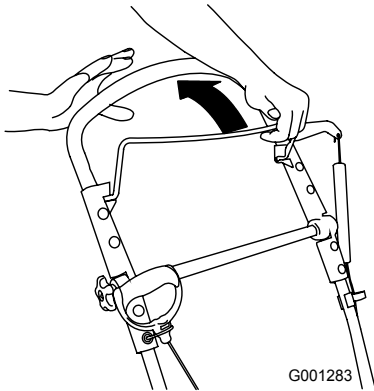


Figure 19

Stopping the Rotor Blades

To stop the rotor blades, release the control bar (Figure 20).

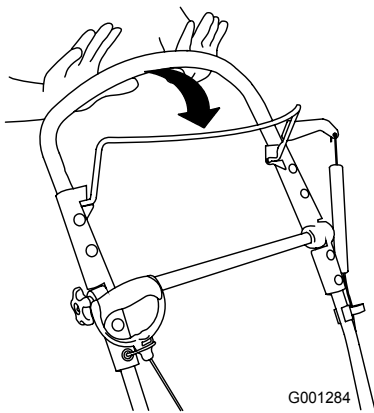


Figure 20

Adjusting the Discharge Chute

To adjust the discharge chute and the chute deflector, move the chute handle as shown (Figure 21).

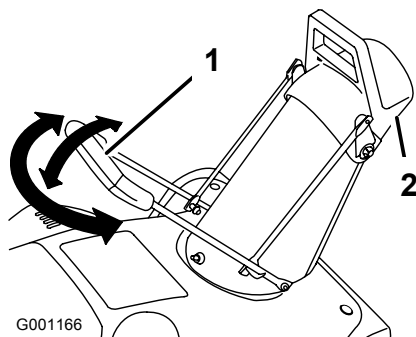


Figure 21

1. Chute handle

2. Chute deflector

Preventing Freeze-up after Use

- Let the engine run for a few minutes to prevent moving parts from freezing. Stop the engine, wait for all moving parts to stop, and remove ice and snow from the snowthrower.
- With the engine off, pull the recoil starter handle several times and push the electric start button once (if applicable) to prevent the recoil and electric starters from freezing up.

Operating Tips



The rotor blades can throw stones, toys, and other foreign objects and cause serious personal injury to the operator or to bystanders.

- Keep the area to be cleared free of all objects that the rotor blades could pick up and throw.
 - Keep all children and pets away from the area of operation.
-
- Remove the snow as soon as possible after it falls.
 - To self-propel, raise the handle and tilt the snowthrower slightly forward, lifting the wheels off the ground. The more you tilt the handle forward, the faster the snowthrower self-propels.
 - If the snowthrower does not propel itself forward on slippery surfaces or in heavy snow, push forward on the handle, but allow the snowthrower to work at its own pace.
 - Overlap each swath to ensure complete snow removal.
 - Discharge the snow downwind whenever possible.
 - In snowy and cold conditions, some controls and moving parts may freeze. Do not use excessive force when trying to operate frozen controls. If you have difficulty operating any control or part, start the engine and let it run for a few minutes.

Maintenance

Note: Determine the left and right sides of the machine from the normal operating position.

Recommended Maintenance Schedule(s)

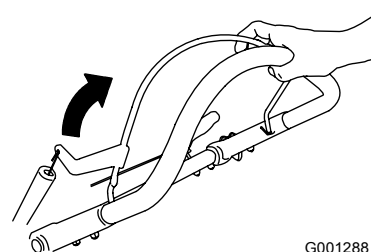
Maintenance Service Interval	Maintenance Procedure
After the first operating hour	<ul style="list-style-type: none"> Check the control cable both initially and after the first hour of operation; adjust it if necessary. Check for loose fasteners and tighten them if necessary.
Yearly	<ul style="list-style-type: none"> Check the control cable and adjust it if necessary. Check for loose fasteners and tighten them if necessary. Have an Authorized Service Dealer inspect the spark plug and replace it if necessary. Inspect the rotor blades and have an Authorized Service Dealer replace the rotor blades and scraper if necessary. Have an Authorized Service Dealer inspect the drive belt and replace it if necessary.
Yearly or before storage	<ul style="list-style-type: none"> Prepare the snowthrower for storage.

Adjusting the Control Cable

Checking the Cable

Important: Check the control cable for proper adjustment initially, after the first operating hour, and then annually thereafter.

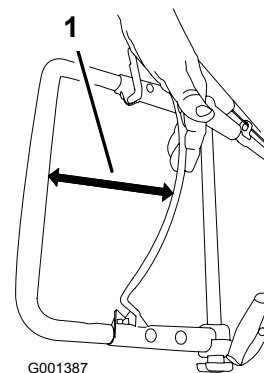
1. Move the control bar back toward the handle to remove the slack in the cable (Figure 22).



G001288

Figure 22

2. Ensure that a 6-1/2-inch (16.5 cm) gap exists between the control bar and the handle (Figure 23). To adjust the cable, refer to Adjusting the Cable.



G001387

Figure 23

1. 6-1/2-inch (16.5 cm) gap

Important: The control cable must contain some slack when you disengage the control bar for the rotor blades to stop properly.

Adjusting the Cable

1. Unhook the end of the control cable spring from the control bar (Figure 24).

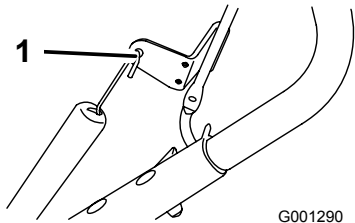


Figure 24

1. End of control cable spring
2. Move the Z-fitting to a higher or lower hole on the adjuster link as needed to obtain the 6-1/2-inch (16.5 cm) gap between the control bar and the handle (Figure 25).

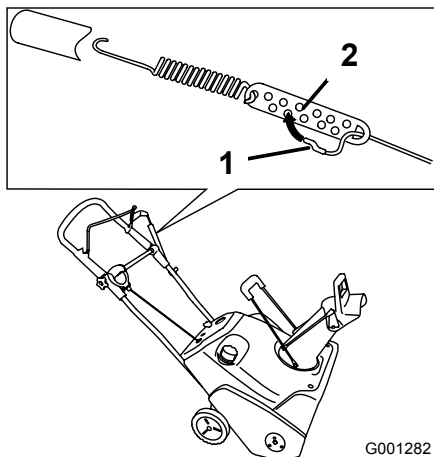


Figure 25

1. Z-fitting
2. Adjuster link

Note: Moving the Z-fitting higher decreases the gap between the control bar and the handle; moving it lower increases the gap.

3. Replace the spring cover and hook the end of the control cable into the bottom hole of the control bar.
4. Check the adjustment; refer to Checking the Cable.

Note: After extended use, the drive belt may wear and lose its proper belt tension. If the drive belt slips (continuously squeals) under a heavy load, adjust the cable to increase the belt tension. The belt may slip (squeal) in wet conditions; to dry out the drive system, start the rotor and run it without a load for 30 seconds.

Inspecting the Rotor Blades

Before each season, inspect the rotor blades for wear. When a rotor blade edge has worn down to the wear indicator hole, have an Authorized Service Dealer replace the rotor blades and the scraper (Figure 26)

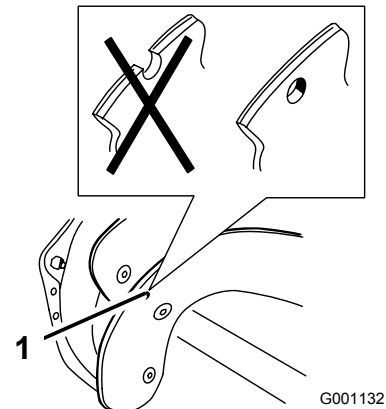


Figure 26

1. Wear indicator hole

Storage

Storing the Snowthrower



- Gasoline fumes are highly flammable, explosive, and dangerous if inhaled. If you store the product in an area with an open flame, the gasoline fumes may ignite and cause an explosion.
- Do not store the snowthrower in a house (living area), basement, or any other area where ignition sources may be present, such as hot water and space heaters, clothes dryers, furnaces, and other like appliances.

Important: Do not use the chute handle to lift the snowthrower. This can damage the chute handle.

1. Add a fuel stabilizer/conditioner to the fuel in the fuel tank as directed.

Note: If you use Lawn-Boy 50:1 2-Cycle Oil (Fuel Stabilizer Added), you do not need to add a fuel stabilizer/conditioner.

2. Run the engine for 5 minutes to distribute the conditioned fuel through the fuel system.
3. Stop the engine and allow it to cool.
4. Use a hand pump to pump the fuel from the fuel tank into an approved fuel container, or run the engine until it stops.
5. Start the engine and run it until it stops.

6. Choke or prime the engine, start it a third time, and run the engine until it will not start.
7. Slowly pull the recoil starter until you feel resistance due to compression pressure, then stop.
8. Release the starter tension gradually by allowing the rope to go back slowly to prevent the engine from reversing due to compression pressure.
9. Dispose of unused fuel properly. Recycle it according to local codes, or use it in your automobile.

Note: Do not store stabilized fuel for more than 90 days.

10. Tighten all loose screws, bolts, and locknuts. Repair or replace any damaged parts.
11. Clean the snowthrower thoroughly.
12. Cover the snowthrower and store it in a clean, dry place out of the reach of children. Allow the engine to cool before storing it in any enclosure.

The Lawn-Boy No-Worry Warranty

A Warranty (Limited Warranty for Commercial Use)

Conditions and Products Covered

Lawn-Boy, Inc. and its affiliate, Lawn-Boy Warranty Company, promise to repair any Lawn-Boy Product used for residential purposes* if defective in materials or workmanship or if it stops functioning due to the failure of a component for a period of two years from the date of purchase.

This warranty covers the cost of parts and labor, but you must pay transportation costs. This warranty applies to all gasoline-powered, single-stage Lawn-Boy Snowthrowers.

Limited Warranty for Commercial Use

Gasoline-powered Lawn-Boy Snowthrowers used for commercial, institutional, or rental use are warranted for 45 days against defects in materials or workmanship. Components failing due to normal wear are not covered by this warranty.

Items and Conditions Not Covered

There is no other express warranty. This express warranty does not cover the following:

- Cost of regular maintenance service or parts, such as filters, fuel, lubricants, oil changes, spark plugs, cable/linkage adjustments, or brake and clutch adjustments
- Any product or part which has been altered or misused or required replacement or repair due to accidents or lack of proper maintenance
- Repairs necessary due to electrical supply irregularities or failure to properly prepare the snowthrower prior to any period of non-use over three months
- Pickup and delivery charges
- Operational misuse, neglect, or accidents
- Repairs or attempted repairs by anyone other than a Lawn-Boy Service outlet
- Repairs or adjustments to correct starting difficulties due to the following:
 - failure to follow proper maintenance procedures
 - snowthrower auger/paddles striking an object
 - contaminants in the fuel system
 - improper fuel or fuel/oil mixture (consult your *Operator's Manual* if in doubt)
 - failure to drain the fuel system prior to any period of non-use over three months

Countries Other than the United States or Canada

Customers who have purchased Lawn-Boy products exported from the United States or Canada should contact their Lawn-Boy Distributor (Dealer) to obtain guarantee policies for your country, province, or state. If for any reason you are dissatisfied with your Distributor's service or have difficulty obtaining guarantee information, contact the Lawn-Boy importer. If all other remedies fail, you may contact us at Lawn-Boy Warranty Company.

If you are having difficulty starting your unit, please check the *Operator's Manual* to ensure that you are using the correct starting procedures. This can save an unnecessary visit to a Service Dealer.

Owner Responsibilities

You must maintain your Lawn-Boy Product by following the maintenance procedures described in the *Operator's Manual*. Such routine maintenance, whether performed by a dealer or by you, is at your expense.

Instructions for Obtaining Warranty Service

If you think that your Lawn-Boy Product contains a defect in materials or workmanship, follow this procedure:

1. Contact any Lawn-Boy Authorized or Master Service Dealer to arrange service at their dealership. To locate a dealer convenient to you, refer to the Yellow Pages of your telephone directory (look under "Lawn Mowers") or access our website at www.Lawn-Boy.com. You may also call our Lawn-Boy Customer Care Department toll free at 888-384-9941 (U.S. customers) or 888-384-9944 (Canada customers)
2. Bring the product and your proof of purchase (sales receipt) to the Service Dealer.
3. If for any reason you are dissatisfied with the Service Dealer's analysis or with the assistance provided, call us toll free at the numbers above or write us at: Customer Care Department, Consumer Division, Lawn-Boy Warranty Company, 8111 Lyndale Avenue South, Bloomington, MN 55420-1196.

General Conditions

All repairs covered by these warranties must be performed by an Authorized or Master Lawn-Boy Service Dealer using Lawn-Boy approved replacement parts. Repair by a Lawn-Boy Service Dealer is your sole remedy under these warranties.

Neither Lawn-Boy, Inc. nor Lawn-Boy Warranty Company is liable for indirect, incidental, or consequential damages in connection with the use of the Lawn-Boy Products covered by these warranties, including any cost or expense of providing substitute equipment or service during reasonable periods of malfunction or non-use pending completion of repairs under these warranties.

Some states do not allow exclusions of incidental or consequential damages, or limitations on how long an implied warranty lasts, so the above exclusions and limitations may not apply to you. This warranty gives you specific legal rights, and you may also have other rights which vary from state to state.

* Residential purposes means use of the product on the same lot as your home. Use at more than one location is considered commercial use, and the commercial use warranty would apply.