

**Instruction Book**  
**Manuel d'instructions**

**Snow Thrower**  
**chasse-neige**

**Model 622505x4B**  
**modèle 622505x4B**

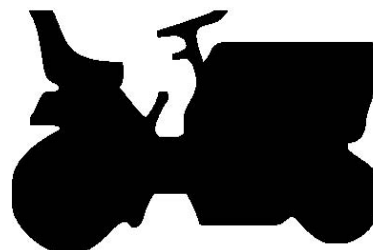
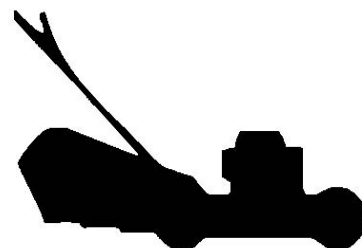
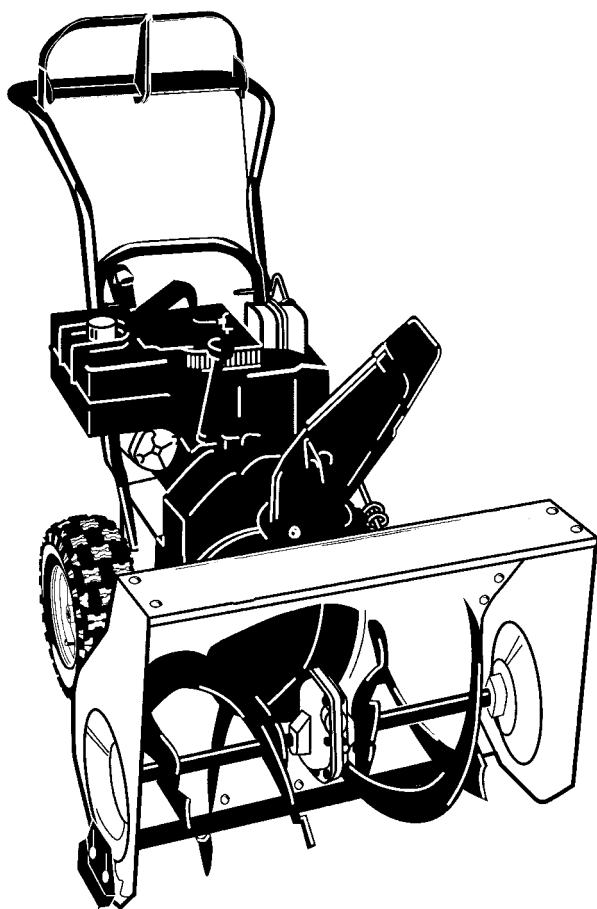
---

Read and keep this book for future reference. This book contains important information on **SAFETY, ASSEMBLY, OPERATION, AND MAINTENANCE.**

---

Lisez et conservez ce manuel pour référence. Ce manuel contient des informations importantes concernant la **SECURITE, LE MONTAGE, L'UTILISATION ET L'ENTRETIEN.**

---



**NOTE:** This unit is equipped with an internal combustion engine and must not be used on or near any unimproved forest-covered, brush-covered or grass-covered land unless the engine's exhaust system is equipped with a spark arrester meeting applicable local or state laws (if any). If a spark arrester is used, it must be maintained in effective working order by the operator.

In the State of California, the above is required by law (Section 4442 of the California Public Resources Code). Other states may have similar laws. Federal laws apply on federal lands. See an Authorized Service Center for a spark arrester for the muffler.



## WARNING:



**Engine Exhaust, some of its constituents, and certain vehicle components contain or emit chemicals known to the State of California to cause cancer and birth defects or other reproductive harm.**

**Battery posts, terminals and related accessories contain lead and lead compounds, chemicals known to the State of California to cause cancer and birth defects or other reproductive harm. WASH HANDS AFTER HANDLING.**

**REMARQUE :** cette machine est équipée d'un moteur à combustion interne et ne doit pas être utilisée sur un terrain forestier, buissonnant ou herbeux non préparé, à moins que le dispositif d'échappement soit pourvu d'un pare-étincelles conforme à la législation locale ou de l'état (le cas échéant). Si un pare-étincelles est utilisé, celui-ci doit être maintenu en parfait état de fonctionnement par l'utilisateur.

Au sein de l'état de Californie, la loi exige la prise en compte des précautions mentionnées ci-dessus (clause 4442 du California Public Resources Code). D'autres états peuvent présenter des lois similaires. Les lois fédérales s'appliquent sur les terres fédérales. S'adresser à un centre de maintenance agréé pour l'achat d'un pare-étincelles pour l'échappement.

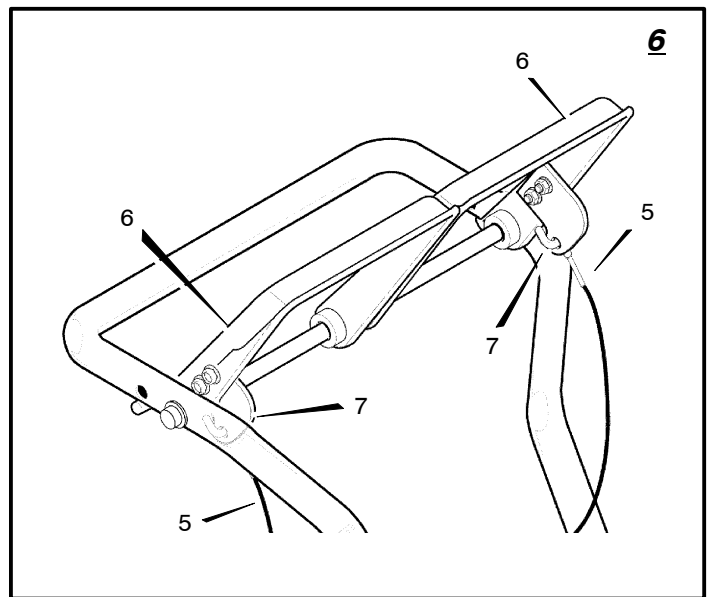
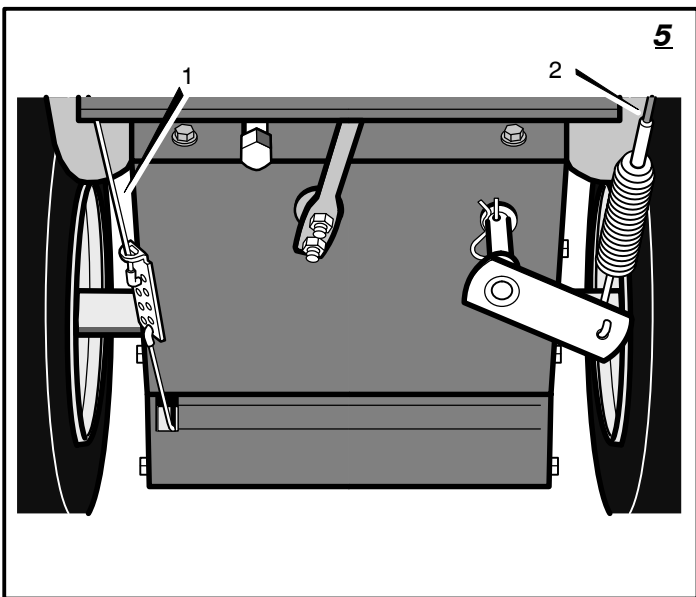
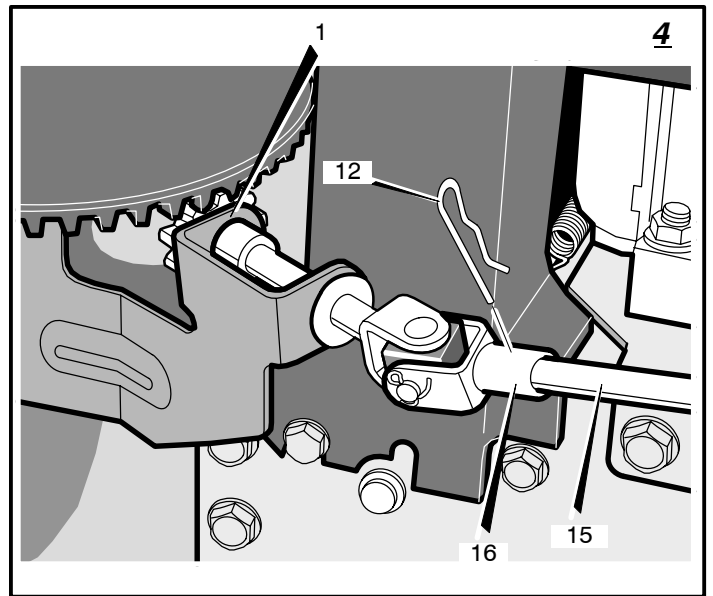
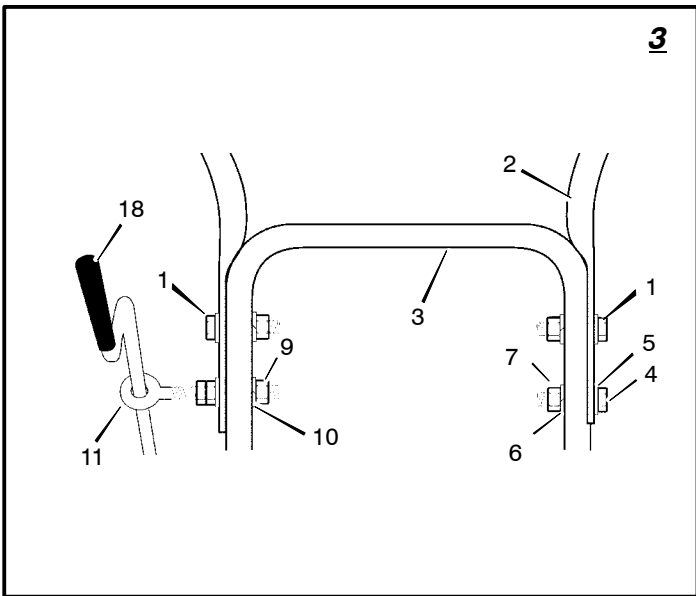
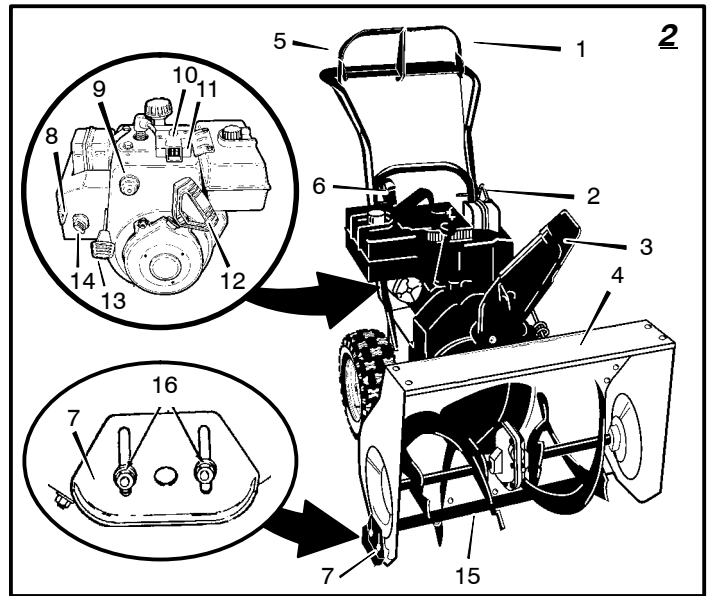
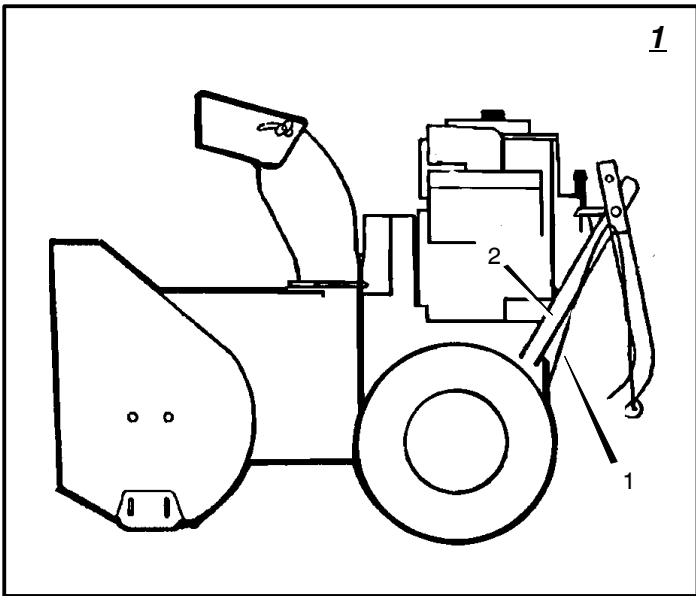


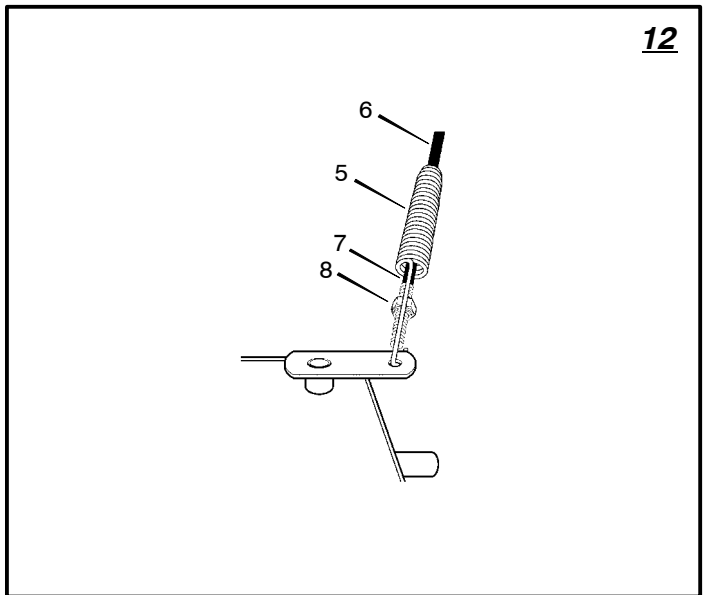
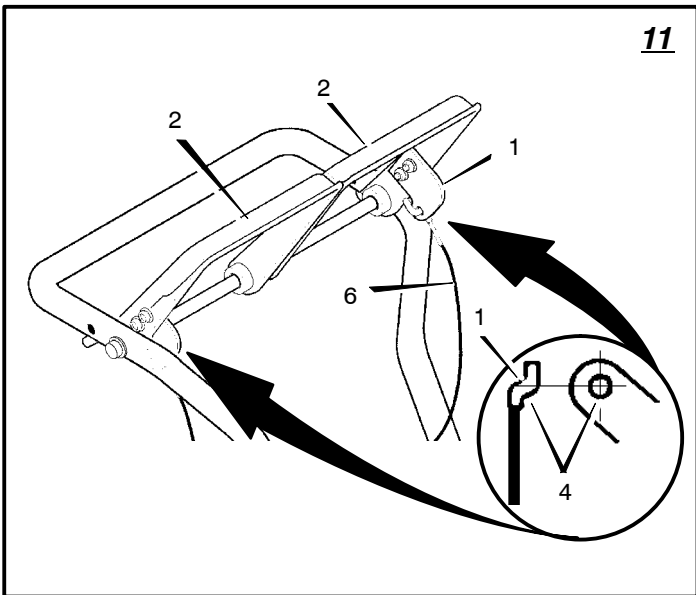
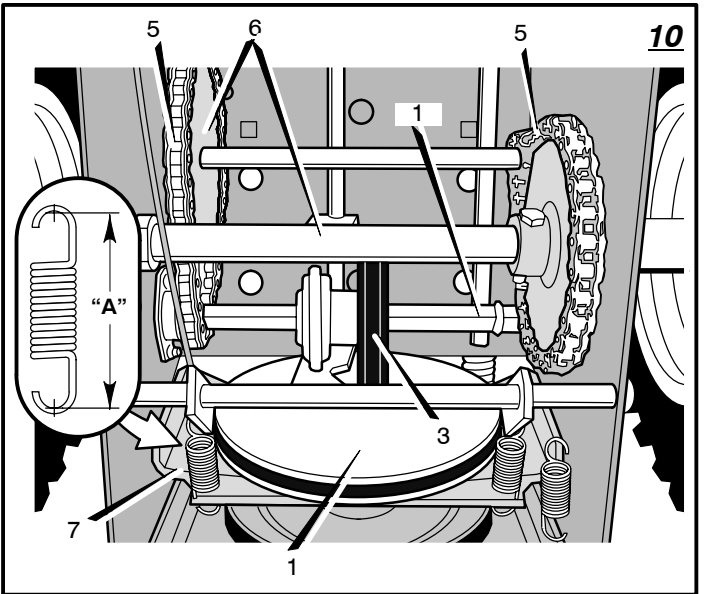
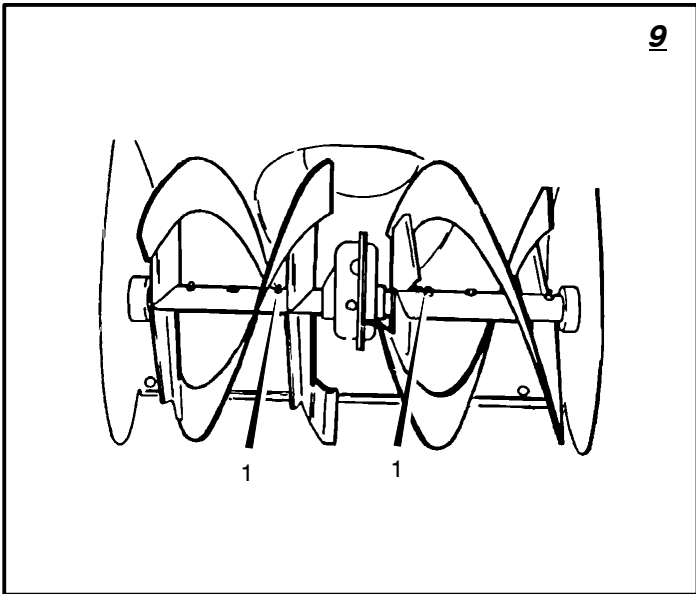
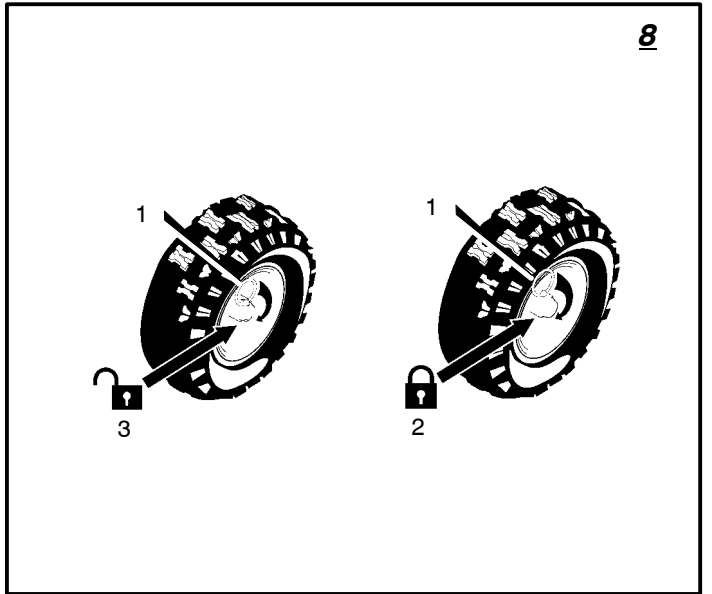
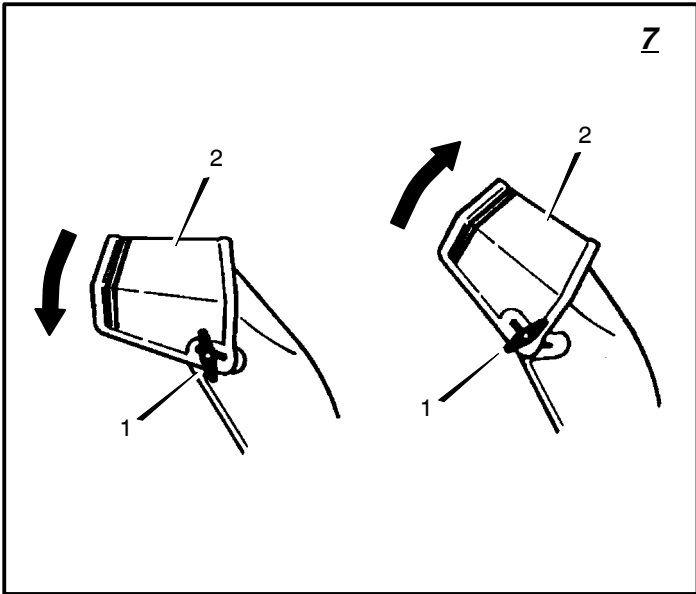
## AVERTISSEMENT

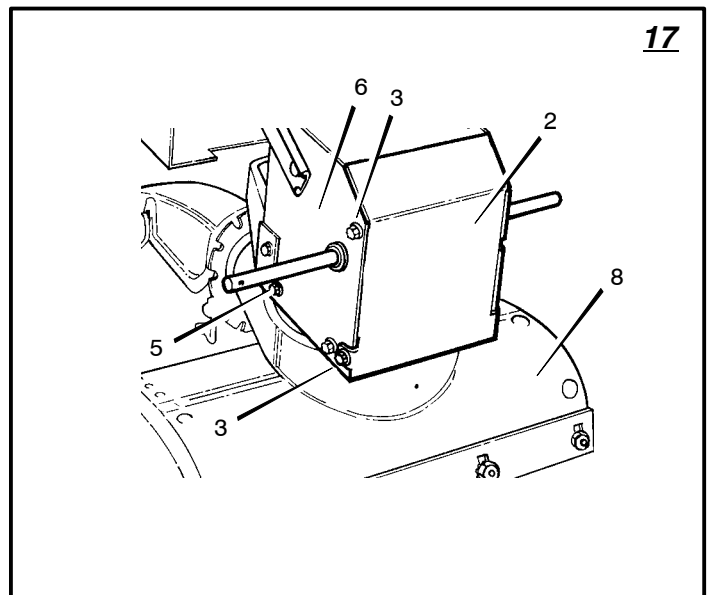
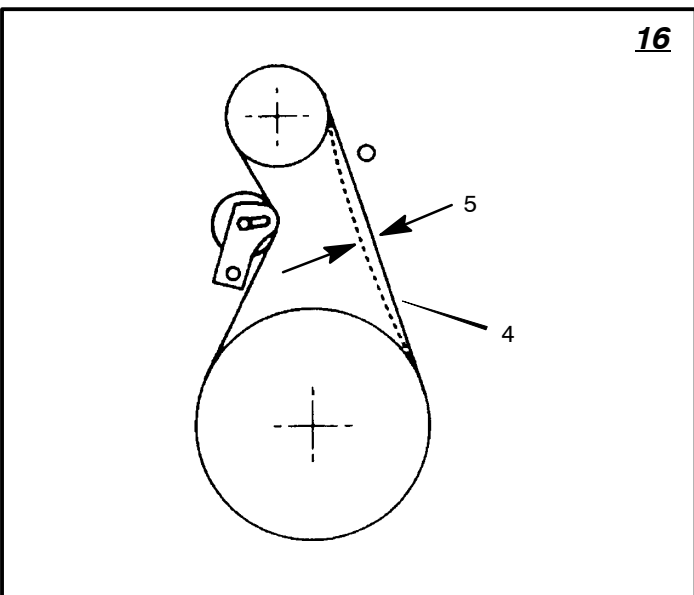
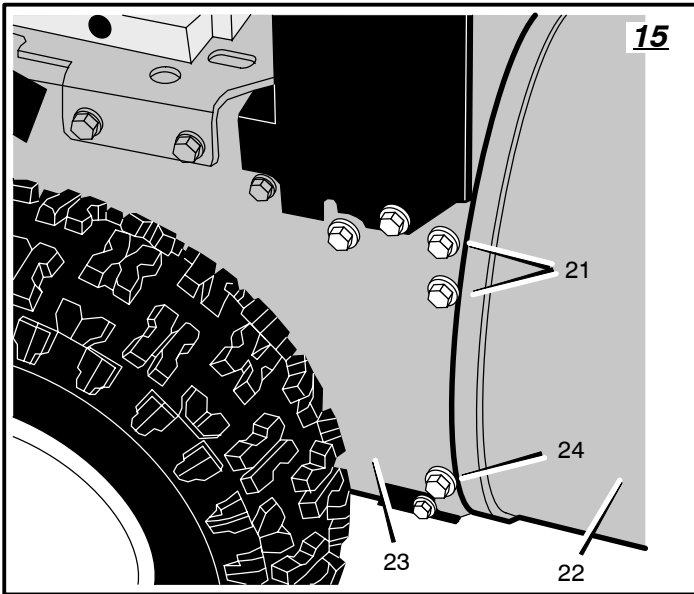
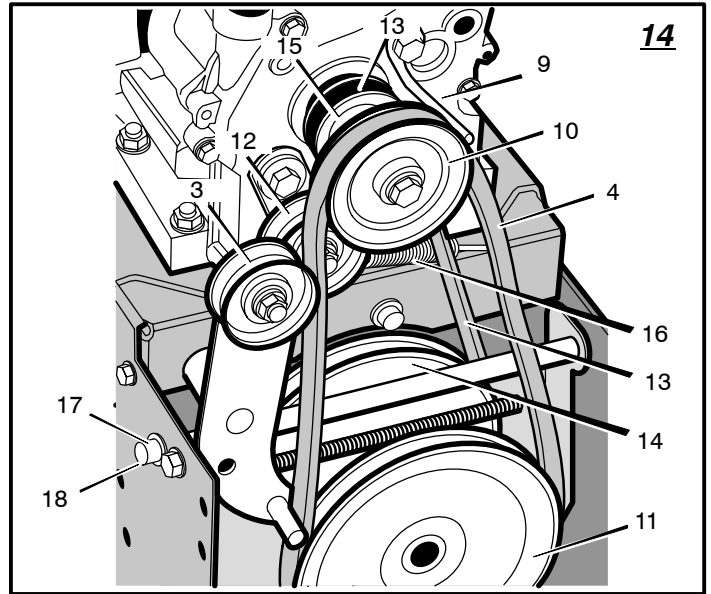
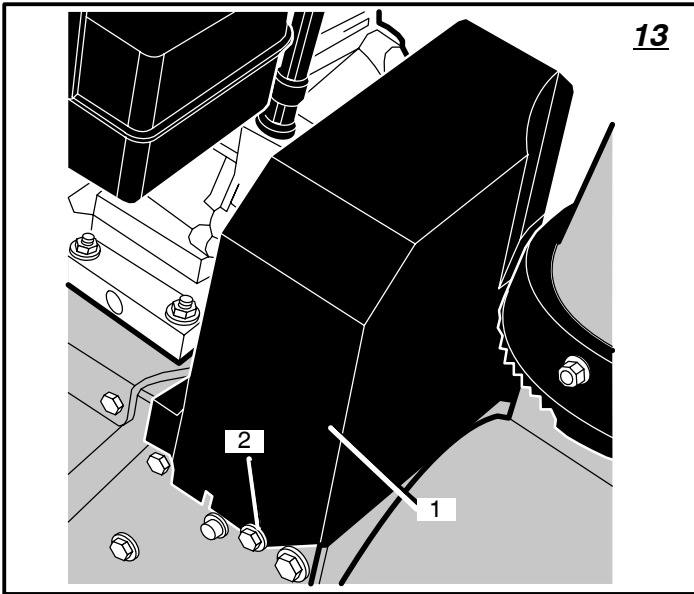


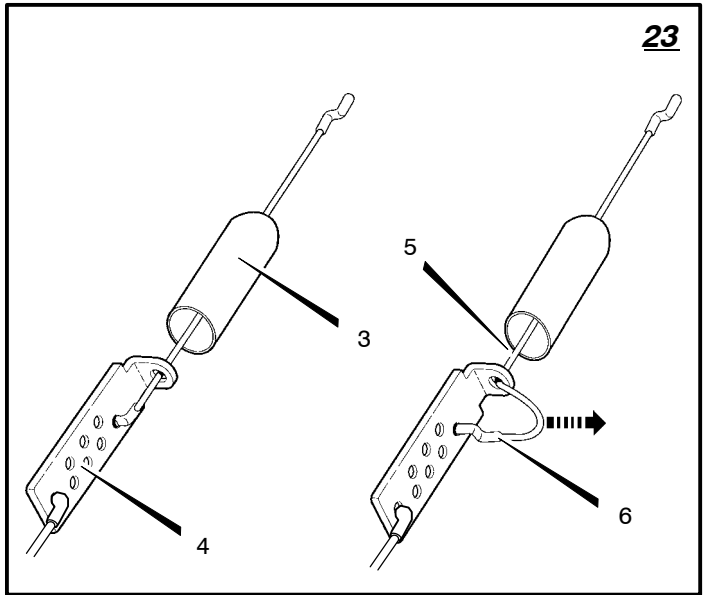
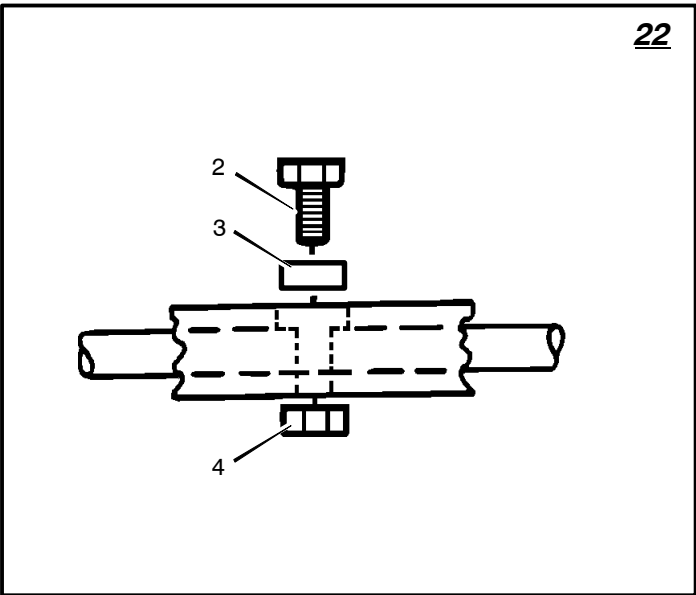
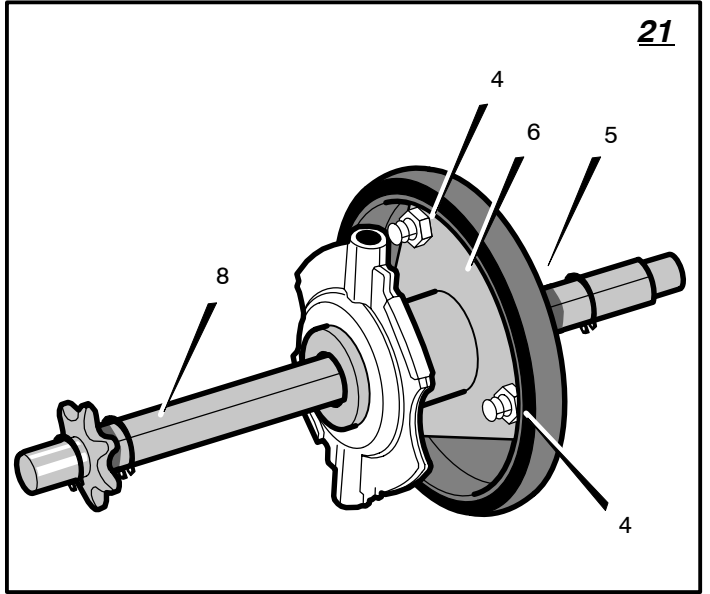
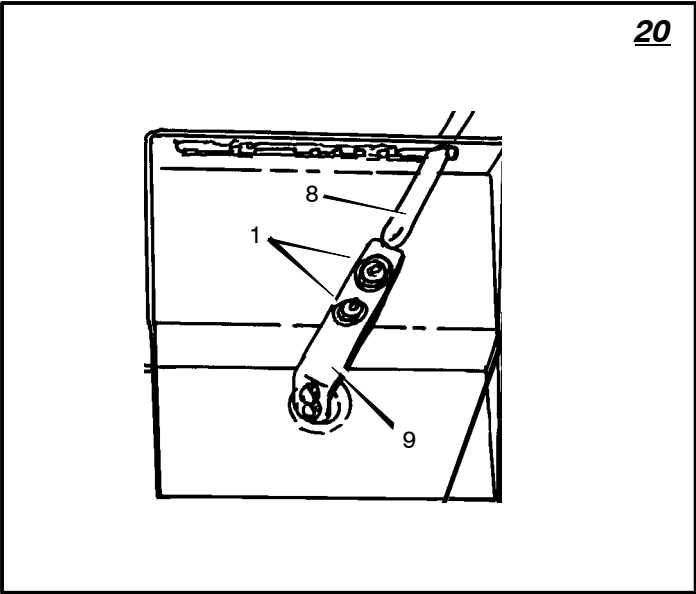
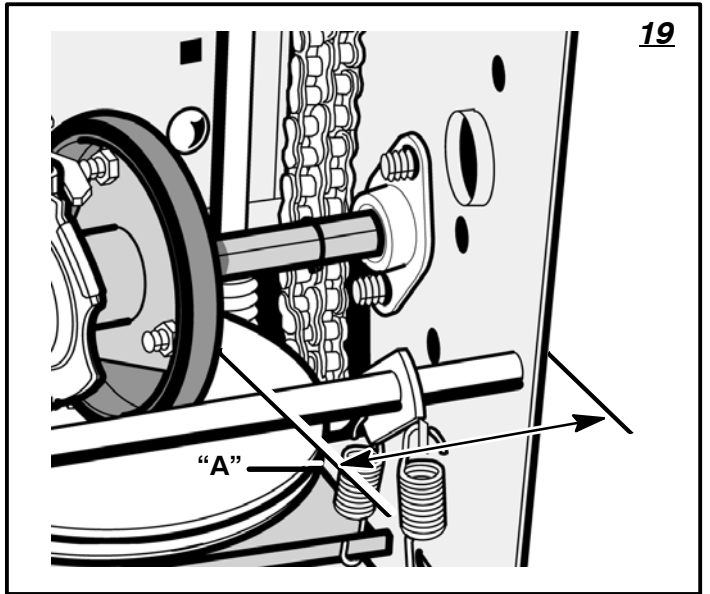
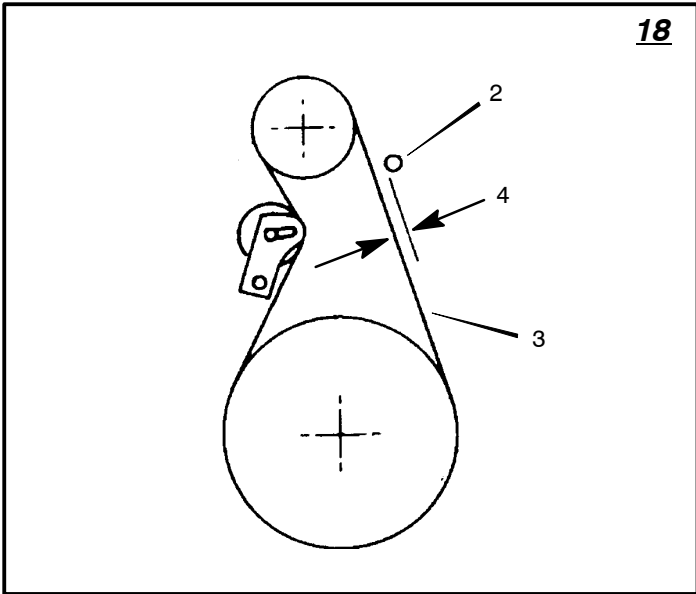
**Les gaz d'échappement du moteur, certains éléments de leur composition, ainsi que certains organes du véhicule contiennent ou émettent des substances chimiques qui, selon l'État de Californie, peuvent causer le cancer, des malformations à la naissance, ou représentent un danger pour la reproduction.**

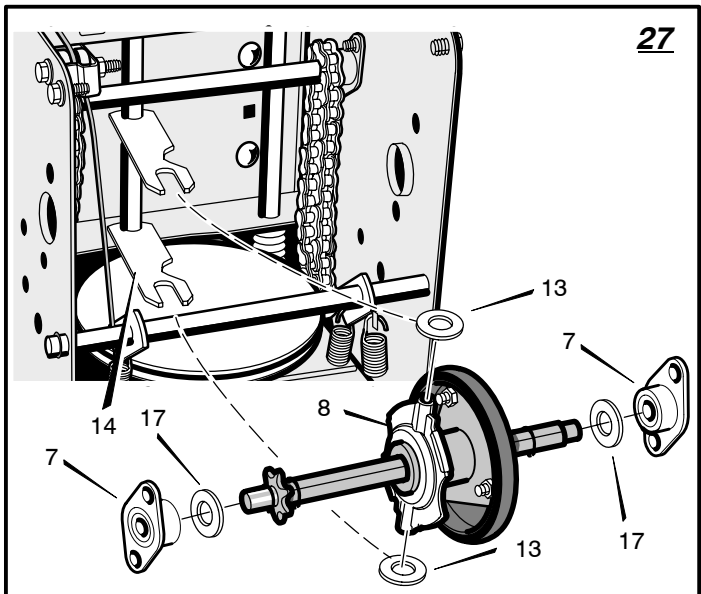
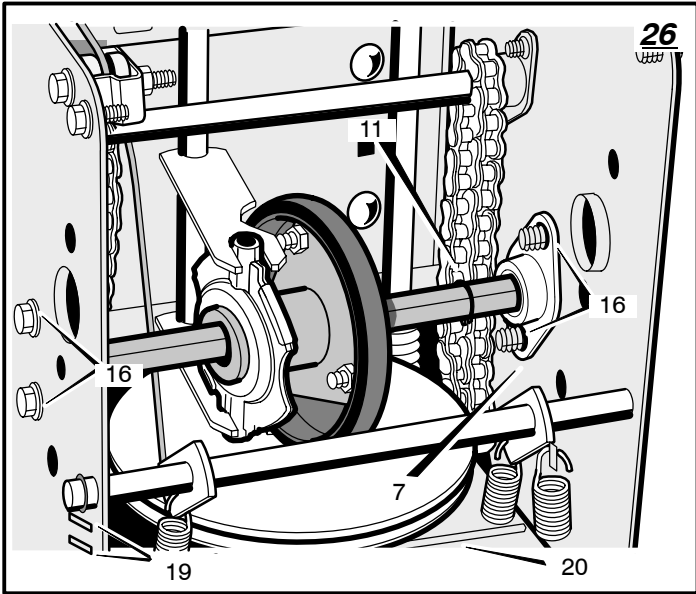
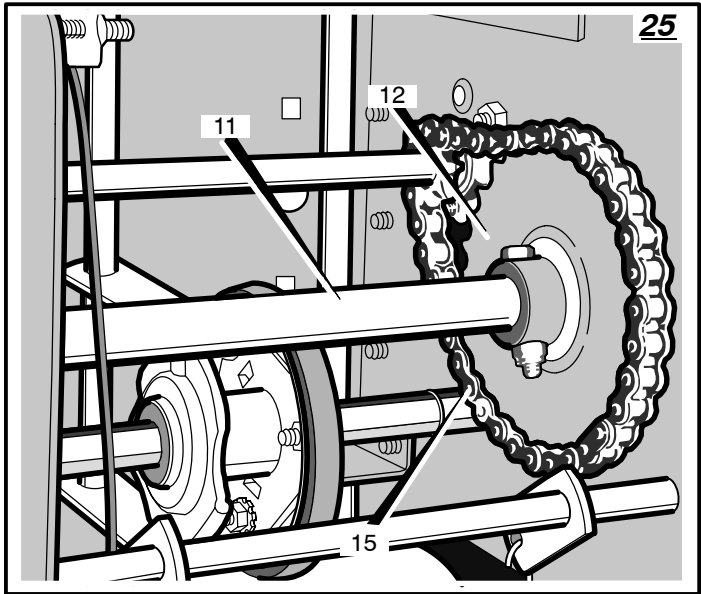
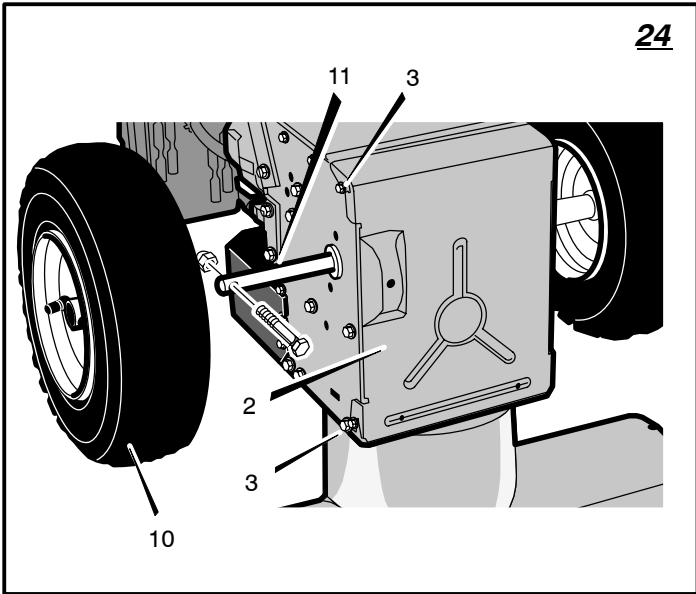
**Les bornes et pôles de batterie et autres accessoires de ce type contiennent du plomb et des composés de plomb, substances chimiques qui, selon l'État de Californie, peuvent causer le cancer, des malformations à la naissance, ou représentent un danger pour la reproduction.**

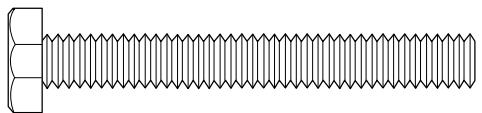




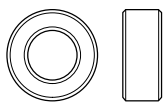




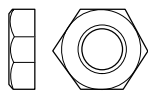




2- 9524



2- 3943



2 - 73826

**CONTENTS**

**PRODUCT INFORMATION** 9  
**OWNER'S INFORMATION** 9  
**INTERNATIONAL PICTORIALS** 10  
**ASSEMBLY** 12  
**OPERATION** 12  
**MAINTENANCE** 15  
**TROUBLE SHOOTING CHART** 18

**TWO YEAR LIMITED WARRANTY**

Murray, Inc. warrants to the original purchaser that this unit shall be free from defects in material and workmanship under normal use and service for a period of **Two (2) Year** from the date of purchase; however, this warranty does not cover engines, accessories (such as electric starters) and Normal Wear Parts (except as noted below) as the companies that manufacture these items furnish their own warranties and provide service through their authorized field service facilities. For additional information, see the warranties covering these particular parts. If you are uncertain whether your unit contains or is equipped with one or more of these parts, consult your dealer prior to purchase. Subject to the terms and conditions

noted in this Limited Warranty, we shall, at our option, repair or replace at no cost to the original purchaser any part covered by this Limited Warranty during the applicable warranty period. Normal Wear Parts are defined as drive belts, augers, shear pins, tires and headlights. These parts are warranted to be free from defects in material and workmanship as delivered with the product. Any claim for repair or replacement of Normal Wear Parts must be made within thirty (30) days of the date of purchase. No claims involving damage caused from material use, abuse or misuse will be honored. This Murray, Inc. **Two (2) Year Limited Warranty** is your exclusive remedy; however, this warranty is void or does not apply to any unit that has been tampered with, altered, misused, abused or used for rental or other commercial and/or professional (non-homeowner) uses. Your warranty does not cover minor mechanical adjustments which are not due to any defect in material or workmanship. For assistance in making such adjustments, consult your Instruction Book. To make a claim under this Murray, Inc. **Two (2) Year Limited Warranty**, return the unit (or if authorized in advance, the defective part) along with your proof of purchase to an Authorized Service Center near you. To locate the nearest Authorized Service Center, call the Central Parts

Distributor for your area shown in the list provided with your unit or check the Yellow Page listings in your local telephone directory. If you return the entire unit, we will repair the unit. If we authorize the return of the defective part only, we will either replace or repair the part. This Murray, Inc. **Two (2) Year Limited Warranty** gives you specific legal rights, and you may also have other rights which vary from state to state. **This Limited Warranty is given in lieu of all other expressed and implied warranties including the implied warranty of merchantability and warranty of fitness for a particular purpose.** If you need additional information on this written warranty or assistance in obtaining service, write:

**USA – MURRAY, INC.**  
 Outdoor Power Equipment  
 Customer Service Department  
 P.O. Box 268  
 Brentwood, Tennessee 37027  
 1-800-251-8007

**CANADA – MURRAY CANADA, INC.**  
 Factory Customer Service  
 1195 Courtneypark Drive East  
 Mississauga, Ont. L5T-1R1  
 1-800-661-6662

**PRODUCT INFORMATION**

The owner must be certain that all the product information is included with the unit. This information includes the INSTRUCTION BOOKS, the REPLACEMENT PARTS and the WARRANTIES. This information must be included to make sure state laws and other laws are followed.

**OWNER'S INFORMATION**

This instruction book is written for a person with some mechanical ability. Like most service books, not all the steps are described. Steps on how to loosen or tighten fasteners are steps anyone can follow with some mechanical ability. Read and follow these instructions before you use the unit.

**Know your product:** If you understand the unit and how the unit operates, you will get the best performance. As you read this manual, compare the illustrations to the unit. Learn the location and the function of the controls. To help prevent an accident, follow the operating instructions and the safety rules. Keep this manual for future

reference.

**IMPORTANT:** Many units are not assembled and are sold in cartons. It is the responsibility of the owner to make sure the assembly instructions in this manual are exactly followed. Other units are purchased in an assembled condition. On assembled units, it is the responsibility of the owner to make sure the unit is correctly assembled. The owner must carefully check the unit according to the instructions in this manual before it is first used.



**WARNING: Look for this symbol to indicate important safety precautions. This symbol indicates: "Attention! Become Alert! Your Safety Is At Risk."**

**Responsibility Of The Owner**

**The responsibility of the owner is to follow the instructions below.**

1. Carefully read and follow the rules for safe operation.

2. Follow all the assembly and preparation instructions.
3. Inspect the unit.
4. Make sure that the operator of the unit knows how to correctly use all standard and accessory equipment.
5. Operate the unit only with guards, shields, and other safety items in place and working correctly.
6. Correctly adjust the unit.
7. Service the unit only with authorized or approved replacement parts.
8. Complete all maintenance on the unit.

**Environmental Awareness**

- Do not fill the engine's fuel tank completely full.
- Drain fuel for off-season storage.
- Use only unleaded gasoline.
- Service the air cleaner regularly.
- Change oil regularly. Use 5W-30 oil.
- Tune-up the engine regularly.
- Keep equipment in efficient operating condition.
- Dispose of used engine oil properly.

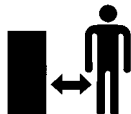
**INTERNATIONAL PICTORIALS**

**IMPORTANT:** The following pictorials are located on your unit or on literature supplied with the product. Before you operate the unit, learn and understand the purpose for each pictorial.

**Safety Warning Symbols**



**DANGER**  
Thrown Objects.  
Keep Bystanders Away.



**DANGER**  
Thrown Objects.  
Keep Bystanders Away.



**WARNING**



**IMPORTANT**  
Read Owner's Manual  
Before Operating  
This Machine.



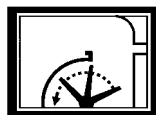
**DANGER**  
Avoid Injury From  
Rotating Auger. Keep  
Hands, Feet And  
Clothing Away.



**WARNING**  
Hot Surface



**STOP**



**DANGER**  
Stop The Engine  
Before Unclogging  
Discharge Chute!

**Control And Operating Symbols**



Slow



Fast



Electric Start



Engine Start



Engine Run



Engine Off



Engine Stop



On



Choke Off



Choke On



Neutral



Forward



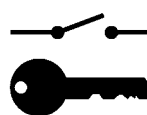
Reverse



Throttle



Primer Button



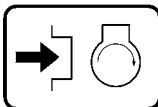
Ignition Key



Ignition Off



Ignition On



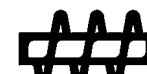
Push To Engage  
Electric Starter



Engage



Auger Clutch



Auger Collector



Discharge DOWN



Discharge UP



Discharge LEFT



Discharge RIGHT



Drive Clutch



Fuel



Oil



Fuel Oil Mixture



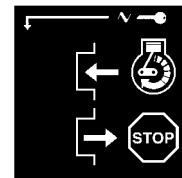
Weight Transfer  
Lift Handle To Engage



Weight Transfer  
Depress Pedal To Disengage



Transmission



Ignition Key  
Insert To Run, Pull Out To Stop.

## Safe Operation Practices for Snow Throwers As Recommended By: American National Standards Institute.

**IMPORTANT:** Safety standards require operator presence controls to minimize the risk of injury. Your snow thrower is equipped with such controls. Do not attempt to defeat the function of the operator presence control under any circumstances.

### Training

1. Read the operating and service instruction manual carefully. Be thoroughly familiar with the controls and the proper use of the equipment. Know how to stop the unit and disengage the controls quickly.
2. Never allow children to operate the equipment. Never allow adults to operate the equipment without proper instruction.
3. Keep the area of operation clear of all persons, particularly small children and pets.
4. Exercise caution to avoid slipping or falling especially when operating in reverse.

### Preparation

1. Thoroughly inspect the area where the equipment is to be used and remove all doormats, sleds, boards, wires, and other foreign objects.
2. Disengage all clutches before starting the engine (motor).
3. Do not operate the equipment without wearing adequate winter outer garments. Wear footwear that will improve footing on slippery surfaces.
4. Handle fuel with care; it is highly flammable.
  - a. Use an approved fuel container.
  - b. Never remove fuel tank cap or add fuel to a running engine (motor) or hot engine (motor).
  - c. Fill fuel tank outdoors with extreme care. Never fill fuel tank indoors.
  - d. Replace fuel cap securely and wipe up spilled fuel.
  - e. Never store fuel or snow thrower with fuel in the tank inside of a building where fumes may reach an open flame or spark.
  - f. Check fuel supply before each use, allowing space for expansion as the heat of the engine (motor) and/or sun can cause fuel to expand.
5. For all units with electric starting motors use electric starting extension cords certified CSA/UL. Use only with a receptacle that has been installed in accordance with local inspection authorities.
6. Adjust the snow thrower height to clear gravel or crushed rock surface.

7. Never attempt to make any adjustments while the engine (motor) is running (except when specifically recommended by manufacturer).
8. Let engine (motor) and snow thrower adjust to outdoor temperatures before starting to clear snow.
9. Always wear safety glasses or eye shields during operation or while performing an adjustment or repair to protect eyes from foreign objects that may be thrown from the snow thrower.

### Operation

1. Do not operate this machine if you are taking drugs or other medication which can cause drowsiness or affect your ability to operate this machine.
2. Do not use this machine if you are mentally or physically unable to operate this machine safely.
3. Do not put hands or feet near or under rotating parts. Keep clear of the discharge opening at all times.
4. Exercise extreme caution when operating on or crossing gravel drives, walks or roads. Stay alert for hidden hazards or traffic.
5. After striking a foreign object, stop the engine (motor), remove the wire from the spark plug, thoroughly inspect snow thrower for any damage, and repair the damage before re-starting and operating the snow thrower.
6. If the unit should start to vibrate abnormally, stop the engine (motor) and check immediately for the cause. Vibration is generally a warning of trouble.
7. Stop the engine (motor) whenever you leave the operating position, before unclogging the auger/impeller housing or discharge chute and when making any repairs, adjustments, or inspections.
8. When cleaning, repairing, or inspecting, make certain the auger/impeller and all moving parts have stopped and all controls are disengaged. Disconnect the spark plug wire and keep the wire away from the spark plug to prevent accidental starting.
9. Take all possible precautions when leaving the snow thrower unattended. Disengage the auger/ impeller, stop engine (motor), and remove key.
10. Do not run the engine (motor) indoors, except when starting the engine (motor) and for transporting the snow thrower in or out of the building. Open the outside doors; exhaust fumes are dangerous (containing CARBON MONOXIDE, an ODORLESS and DEADLY GAS).

11. Do not clear snow across the face of slopes. Exercise extreme caution when changing direction on slopes. Do not attempt to clear steep slopes.
12. Never operate the snow thrower without proper guards, plates or other safety protective devices in place.
13. Never operate the snow thrower near enclosures, automobiles, window wells, drop-offs, and the like without proper adjustment of the snow discharge angle. Keep children and pets away.
14. Do not overload the machine capacity by attempting to clear snow at too fast a rate.
15. Never operate the machine at high transport speeds on slippery surfaces. Look behind and use care when backing up.
16. Never direct discharge at bystanders or allow anyone in front of the unit.
17. Disengage power to the collector/impeller when snow thrower is transported or not in use.
18. Use only attachments and accessories approved by the manufacturer of the snow thrower (such as tire chains, electric start kits, ect.).
19. Never operate the snow thrower without good visibility or light. Always be sure of your footing and keep a firm hold on the handles. Walk; never run.
20. Do not over-reach. Keep proper footing and balance at all times.
21. Exercise caution if operating on steep sloping surfaces.
22. This snow thrower is for use on sidewalks, driveways and other ground level surfaces.
23. Do not use the snow thrower on surfaces above ground level such as roofs of residences, garages, porches or other such structures or buildings.

### Maintenance And Storage

1. Check shear bolts and other bolts at frequent intervals for proper tightness to be sure the equipment is in safe working condition.
2. Never store the snow thrower with fuel in the tank inside a building where ignition sources are present such as hot water and space heaters, clothes dryers, and the like. Allow the engine (motor) to cool before storing in any enclosure.
3. Always refer to operator's guide instructions for important details if the snow thrower is to be stored for an extended period.
4. Maintain or replace safety and instruction labels, as necessary.
5. Run the snow thrower a few minutes after throwing snow to prevent freeze-up of the auger/impeller.

**ASSEMBLY**

Read and follow the assembly and adjustment instructions for your snow thrower. All fasteners are in the parts bag. Do not discard any parts or material until the unit is assembled.



**WARNING:** Before doing any assembly or maintenance to the snow thrower, remove the wire from the spark plug.

**NOTE:** In this instruction book, left and right describe the location of a part from the operator's position behind the unit.

**NOTE:** Torque is measured in foot pounds (metric N.m). This measurement describes how tight a nut or bolt must be. The torque is measured with a torque wrench.

**NOTE:** Illustrations begin on page 3.

**NOTE:** Fasteners and loose parts are shown at full size in Figure 28.

**Tools Required**

- 1 Knife
- 1 Pliers
- 2 1/2 inch open end wrenches
- 2 9/16 inch open end wrenches
- 2 3/4 inch open end wrenches
- 1 Measuring tape or ruler
- 1 Screwdriver

**How To Remove The Snow Thrower From The Carton**

1. (Figure 1) The snow thrower is shown in the shipping position.
2. Cut and discard the plastic tie that secures the crank assembly.
3. Cut down all four corners of the carton and lay the side panels flat.
4. Locate all parts that are packed separately and remove from the carton.
5. Remove and discard the packing material from around the snow thrower.
6. Hold onto the lower handle and pull the snow thrower off the pallet.

**CAUTION:** DO NOT back over cables.

7. Remove the packing material from the handle assembly.
8. Cut the ties that secure the **clutch control cables (1)** to the **lower handle (2)**. Move the cables away from the motor frame.

**How To Assemble The Handle And Crank Assembly**

1. (Figure 3) Loosen, but do not remove, the **fasteners (1)** in the upper holes of the lower handle.
2. Remove the fasteners and the **crank assembly eyebolt (11)** from the lower holes of the lower handle.
3. (Figure 2) Put the **shift lever (6)** into first forward position.
4. (Figure 3) Raise the **upper handle (2)** to the operating position.

**NOTE:** Make sure the cables are not caught between the upper and lower handle.

5. Install the fasteners and the **crank assembly eyebolt (11)** that were removed in step 2. DO NOT tighten until all fasteners are in place.

F-041002L

6. (Figure 4) Attach the **crank rod (15)** to the **universal joint assembly (16)** with the **hair pin (12)**.
7. (Figure 3) Tighten nut on **eye bolt (11)**. Make sure **eye bolt (11)** is properly aligned and the **crank (8)** can freely rotate.
8. Tighten all handle fasteners.

**Check The Cables**

1. (Figure 5) Check the **traction drive cable (1)** and the **auger drive cable (2)**. If the bottom of the cables have become disconnected, reinstall the cables.
2. (Figure 6) If the top of the **cables (5)** have become disconnected from the **drive levers (6)**, attach the **cables (5)** to the "Z" fitting (7).

**How To Set The Skid Height (Figure 2)**

The snow thrower is equipped with **height adjustable skids (7)** mounted on the outside of the **auger housing (4)**. To adjust the height of the skids, see "How To Adjust The Height Of The Skids" in the Maintenance section.

**How To Prepare The Engine**

**Note:** The engine was shipped from the factory filled with oil. Check the level of the oil. Add oil as needed. Engine does not contain GASOLINE.



**WARNING:** Follow the engine manufacturer's instructions for the type of fuel and oil to use. Always use a safety fuel container. Do not smoke when adding gasoline to the engine. When inside an enclosure, do not fill with gasoline. Before you add fuel, stop the engine. Let the engine cool for several minutes.

Check the oil. See the engine manufacturer's instructions for the type of fuel and oil to use. Before you use the unit, read the information on safety, operation, maintenance, and storage.

**Important! Before You Start Operating**

- Check the fasteners. Make sure all fasteners are tight.
- On electric start models, the unit was shipped with the starter cord plugged into the engine. Before operating, unplug the starter cord from the engine.

**OPERATION**

**NOTE:** Illustrations begin on page 3.

**Know Your Snow Thrower (Figure 2)**

Read this Instruction Book and safety rules before operation the snow thrower. Compare the illustration with your snow thrower to familiarize yourself with the location of various controls and adjustments.

**Traction Drive Lever (1)** – Select the forward or reverse direction of travel.

**Crank Assembly (2)** – Changes the direction of the discharge chute.

**Discharge Chute (3)** – Changes the distance the snow is thrown.

**Auger Drive Lever (5)** – Starts and stops the auger and impeller (snow gathering and throwing).

**Speed Shift Lever (6)** – Selects the speed of the snow thrower.

**Height Adjust Skid (7)** – Adjusts the ground clearance of the auger housing.

**Ignition Key (8)** – Must be inserted to start the engine.

**Primer Button (9)** – Injects fuel directly into the carburetor for fast starts in cold weather.

**Electric Start Button (10)** – On electric start models, used to start the engine.

**Switch Box (11)** – On electric start models, used to attach a 120 volt electric power cord.

**Recoil Starter Handle (12)** – Use to manually start the engine.

**Throttle Control (13)** – Controls the speed of the engine.

**Choke Control (14)** – Use to start a cold engine.

**How To Control The Discharge Of The Snow**



**WARNING:** Never direct the discharge of snow toward bystanders.



**WARNING:** Always stop the engine before unlogging the discharge chute or the auger housing and before leaving the snow thrower.

1. (Figure 2) Turn the **crank assembly (2)** to change the discharge direction of the snow.
2. (Figure 7) Loosen the **wing knob (1)** on the **chute deflector (2)**.
3. Move the **chute deflector (2)** up for more distance or down for less distance.
4. Tighten the **wing knob (1)**.

**How To Stop The Snow Thrower (Figure 2)**

1. To stop discharging snow, release the **auger drive lever (5)**.
2. To stop the wheels, release the **traction drive lever (1)**.
3. To stop the engine, push the **throttle control lever (13)** to off and remove the **ignition key (8)**.

**How To Go Forward or Backward (Figure 2)**

1. To change the ground speed, first release the **traction drive lever (1)** and then move the **speed shift lever (6)** to the desired speed.
2. Ground speed is determined by snow conditions. Select the speed by moving the **speed shift lever (6)** into the appropriate notch on the shift lever plate.

Speed 1, 2	Wet, Heavy
Speed 3	Light
Speed 4	Very Light
Speed 5, 6	Transport only

3. To go forward, engage the **traction drive lever (1)**. Maintain a firm hold on the handle as the snow thrower starts to move forward. Guide the snow thrower by moving the handle either left or right. Do not attempt to push the snow thrower.
4. To go backward, release the **tractor drive lever (1)**.
5. Move the **speed shift lever (6)** into either first or second reverse.
6. Engage the **traction drive lever (1)**.  
**IMPORTANT: Do not move the speed shift lever (6) while the traction drive lever (1) is engaged.**

**How To Throw Snow (Figure 2)**

1. Engage the **auger drive lever (5)**.
2. To stop throwing snow, release the **auger drive lever (5)**.



**WARNING: The operation of any snow thrower can result in foreign objects being thrown into the eyes, which can result in severe eye damage. Always wear safety glasses or eye shields while operating the snow thrower. We recommend standard safety glasses or use a wide vision safety mask over your glasses.**

**How To Use The Wheel Lockout Pin (Figure 8)**

1. The left hand wheel is secured to the axle with a **klick pin (1)**. This unit was shipped with this **klick pin (1)** through the wheel hole in the **locked position (2)**.
2. For ease of maneuverability in light snow conditions, change the **klick pin (1)** to an **unlocked position (3)**.
3. Disconnect the **klick pin (1)** from the wheel **locked position (2)**. Push the **klick pin (1)** through the unlocked axle hole only. The unit is now in the single wheel drive **unlocked position (3)**.

**Before Starting The Engine**

1. Before you service or start the engine, familiarize yourself with the snow thrower. Be sure you understand the function and location of all controls.
2. Check the tension of the clutch cable before starting the engine. See "How To Adjust The Clutch Cable" in the Maintenance section of this manual.
3. Make sure that all fasteners are tight.
4. Make sure the height adjust skids are properly adjusted. See "How To Adjust The Height Of The Skids" in the Maintenance section of this manual.

5. Check the air pressure in the tires. The correct air pressure is 14 PSI (1 BAR) to 17 PSI (1.25 BAR). Do not exceed the maximum amount of air pressure shown on the side of the tire.

**How To Stop The Engine (Figure 2)**

To stop the engine, move the **throttle control (3)** to the stop position and remove the **ignition key (8)**. Keep the **ignition key (8)** in a safe place. The engine will not start without the **ignition key (8)**.

**How To Start The Engine (Figure 2)**

**Models equipped with an Electric Starter**

**NOTE: An electric starter kit can be added to recoil start engines. Electric starter kits are available from your nearest authorized service center.**



**WARNING: The starter is equipped with a three-wire power cord and plug and is designed to operate on 120 volt A.C. household current. The power cord must be properly grounded at all times to avoid the possibility of electrical shock which can injure the operator. Carefully follow all instructions in the "How To Start The Engine" section. Make sure that your house wiring is a three-wire grounded system. If you are not sure, ask a licensed electrician. If your house wire system is not a three-wire grounded system, do not use this electric starter under any conditions. If your system is grounded but a three-hole grounded receptacle is not available to start the engine, have a three-hole grounded receptacle installed by a licensed electrician. To connect a 120 volt A.C. power cord, always connect the power cord to the switch box (11) on the engine first. Then, plug the other end into the three-hole grounded receptacle. When disconnecting the power cord, always unplug the end from the three-hole grounded receptacle first.**

**How To Start A Cold Engine (Figure 2)**

1. Check the engine oil.
2. Fill the fuel tank with regular unleaded petrol. See "How To Prepare The Engine".
3. Make sure the **traction drive lever (1)** and the **auger drive lever (5)** are in the disengaged (released) position.
4. Move the **throttle control (13)** to the fast position.
5. Insert the **ignition key (8)** into the ignition slot. Make sure the **ignition key (8)** snaps into place. **Do not turn the ignition key (8)**. Remove the extra ignition key and keep in a safe place.
6. Move the **choke control (14)** to the full choke position.
7. **(Electric Start)** Connect the power cord to the **switch box (11)** located on the engine.
8. **(Electric Start)** Plug the other end of the power cord into a three-hole, grounded 120 VOLT, A.C. receptacle. (See the WARNING in this section).

9. Push the **primer button (9)**. Every time you push the **primer button (9)**, wait two seconds. For the number of times required to push the **primer button (9)**, see the engine manufacturer's instructions.
10. **(Electric Start)** Push on the **electric start button (10)** until the engine starts. Do not crank for more than 10 seconds at a time. The electric starter is thermally protected. If the electric starter overheats, it will automatically stop and can only be restarted when it has cooled to a safe temperature. A wait of about 5 to 10 minutes is required to allow the electric starter to cool.
11. **(Recoil Start)** Rapidly pull the **recoil starter handle (12)**. Do not allow the **recoil starter handle (12)** to snap back. Slowly return the **recoil starter handle (12)**.
12. If the engine does not start in 5 or 6 tries, See the "Trouble Shooting Chart" Instructions.
13. **(Electric Start)** When the engine starts, release the **electric start button (10)** and move the **choke control (14)** to 1/2 choke position. When the engine runs smoothly, move the **choke control (14)** to the off position.
14. **(Electric Start)** First disconnect the power cord from the three-hole receptacle. Then, disconnect the power cord from the **switch box (11)**.  
**NOTE: In temperatures below 0°F, allow the engine to warm up for several minutes before blowing snow.**
15. When throwing snow, always run the engine with the **throttle control (13)** in the fast position.



**WARNING: Never run the engine indoors or in enclosed, poorly ventilated areas. Engine exhaust contains carbon monoxide, an odorless and deadly gas. Keep hands, feet, hair and loose clothing away from any moving parts located on the engine or the snow thrower. The temperature of muffler and nearby areas may exceed 150°F. Avoid these areas.**

**How To Start A Warm Engine (Figure 2)**

If an engine has been running and is still warm, leave the **choke control (14)** in the off position and do not push the **primer button (9)**. If the engine fails to start, follow the instructions "How To Start A Cold Engine".

**NOTE: Do not use the primer button (9) to start a warm engine.**

**How To Start An Engine With A Frozen Electric Starter (Figure 2)**

If the electric starter is frozen and will not turn the engine, follow the instructions below.

1. Pull out the **recoil starter handle (12)** as far as possible.
2. Quickly release the **recoil starter handle (12)**. Allow the **recoil starter handle (12)** to snap back against the recoil starter.

If the engine still fails to start, repeat the two previous steps until the engine starts. Then, continue with the directions "How To Start A Cold Engine".

To help prevent the possible freeze-up of the recoil starter and of the engine controls, proceed as follows after each snow removal job.

1. With the engine running, quickly pull the **recoil starter handle (12)** three or four times with a continuous full arm stroke. This will produce a loud clattering sound that is not harmful to the engine or starter.
2. Stop the engine. Wipe all snow and moisture from the carburetor cover, control levers and cables. Also move the **throttle control (13)**, **choke control (14)**, and **recoil starter handle (12)** several times.

### How To Remove Snow or Debris From The Auger Housing (Figure 2)



**WARNING: Do not attempt to remove snow or debris that may become lodged in auger housing without taking the following precautions.**

1. Release the **auger drive lever (5)**.
2. Move the **throttle control (13)** to the stop position.

3. Remove (do not turn) the **ignition key (8)**.
4. Disconnect the spark plug wire.
5. Do not place your hands in the **auger housing (4)** or the **discharge chute (3)**. Use a pry bar to remove any snow or debris.

### Snow Throwing Tips

1. For maximum snow thrower efficiency, change the ground speed, NEVER change the engine speed. The engine is designed to deliver maximum performance at full throttle and must be run in the fast position at all times. In deep, freezing, or wet snow, reduce forward speed. If the wheels slip, also reduce forward speed.
2. Most efficient snow throwing is accomplished when the snow is removed immediately after it falls.
3. For complete snow removal, slightly overlap each previous path.
4. Whenever possible, discharge the snow down wind.
5. For normal usage, set the skids so that the scraper bar is 1/8" above the skids. For extremely hard-packed snow surfaces, adjust the skids upward so that the scraper bar touches the ground.
6. Rocks and gravel must not be picked up and thrown by the machine. On gravel or crushed rock surfaces, set the skids at 1-1/4 inch below the scraper bar. See "How To Adjust The Height Of The Skids" in the Maintenance section.
7. After each snow throwing job, allow the engine to idle for a few minutes. The snow and accumulated ice will melt off the engine.
8. Clean the snow thrower after each use.
9. Remove ice, snow and debris from the entire snow thrower. Flush with water to remove all salt or other chemicals. Wipe snow thrower dry.

**MAINTENANCE CHART**

**CUSTOMER RESPONSIBILITIES**

<b>SERVICE RECORDS</b> Fill in dates as you complete regular service.	<b>Before Each Use</b>	<b>First 2 Hours</b>	<b>Every 5 Hours</b>	<b>Every 10 Hours</b>	<b>Every 25 Hours</b>	<b>Each Season</b>	<b>Before Storage</b>	<b>SERVICE DATES</b>
Check Engine Oil Level	√		√			√		
Change Engine Oil					√	√		
Check And Tighten All Screws and Nuts	√					√		
Check Spark Plug					√	√		
Adjust Drive Belt		√			√	√		
Check Fuel	√							
Drain Fuel							√	
Check Auger Clutch Cable Adjustment (See Cable Adjustment)		√				√		
Check Traction Clutch Cable Adjustment (See Cable Adjustment)		√				√		
Lubricate All Pivot Points				√			√	
Lubricate Auger Shaft (See Shear Bolt Replacement)				√			√	
Lubricate Drive Chains and Sprockets				√			√	

**MAINTENANCE**

**NOTE: Illustrations begin on page 3.**

Use the following maintenance section to keep your unit in good operating condition. All the maintenance information for the engine is in the engine manufacturer's instructions. Before you start the engine, read this book.



**WARNING: Before you make an inspection, adjustment (except carburettor), or repair, disconnect the wire from the spark plug.**

**General Recommendations**

The warranty on this snow thrower does not cover items that have been subjected to operator abuse or negligence. To receive full value from the warranty, the operator must maintain the snow thrower as instructed in this manual.

Some adjustments must be made periodically to properly maintain the snow thrower.

**After Each Use**

- Check for any loose or damaged parts.
- Tighten any loose fasteners.
- Check and maintain the auger.
- Check controls to make sure they are functioning properly.
- If any parts are worn or damaged, replace immediately.

All adjustments in the **Maintenance** section of this manual should be checked at least once each season.

F-041002L

**As Required**

The following adjustment should be performed more than once each season.

1. Adjust the auger drive belt after the first 2 to 4 hours, again at mid-season, and twice each season thereafter. See "How To Adjust The Auger Drive Belt" in the Maintenance section.

**Lubrication**

**Every 10 Hours (Figure 9)**

1. Lubricate the **Zerk fittings (1)** every ten hours with a grease gun.
2. Each time a shear bolt is replaced, the auger shaft must also be greased.
3. Lubricate all pivot points.

**Every 25 Hours**

**Chute Rotation Gear**

(Figure 4) Lubricate the **chute rotation gear (1)** with automotive type oil.

**Chains**

1. (Figure 2) Move the **speed shift lever (6)** to first gear.
2. Remove the gas from the gas tank. Stand the snow thrower up on the front end of the **auger housing (4)**.



**WARNING: Drain the gasoline out-doors, away from fire or flame.**

3. (Figure 17) Loosen the **bolts (3)** on each side of the **bottom panel (2)**.
4. Remove the **bottom panel (2)**.

5. (Figure 10) Lubricate the **chains (5)** with a chain type lubricant.
6. Wipe the **hexshaft and sprockets (6)** with 5W30 motor oil.  
**NOTE: If grease or oil come in contact with the disc drive plate (1) or the friction wheel (3), damage can result. Clean off any oil or grease with a alcohol base solvent.**
7. (Figure 17) Install the **bottom panel (2)**.
8. Tighten the **bolts (3)** on each side of the **bottom panel (2)**.

**Items Not To Lubricate (Figure 10)**

1. Do not lubricate the **hex shaft and sprockets (6)**. All bearings and bushings are life-time lubricated. For storage, put a slight amount of 5W-30 motor oil on a cloth and wipe the **hex shaft and sprockets (6)** to prevent rust.
2. If grease or oil comes in contact with the **disc drive plate (1)** or the **friction wheel (3)**, the **friction wheel (3)** can be damaged. Make sure to thoroughly clean the **disc drive plate (1)** and the **friction wheel (3)**.  
**CAUTION: Any greasing or oiling of the above components can cause contamination of the friction wheel (3). If the disc drive plate (1) or the friction wheel (3) become contaminated with grease or oil, damage to the friction wheel will result.**
3. The auger gear case is lubricated at the factory and does not require additional lubrication. If for some reason the lubricant leaks out, have the auger gear case checked by a factory authorized service center.

**How To Adjust The Height Of The Skids (Figure 2)**

This snow thrower is equipped with two height adjustable skids (7). These skids elevate the

front of the snow thrower. For normal hard surfaces, such as a paved driveway or walk, adjust the skids as follows.

1. Put the snow thrower on a level surface.
2. Make sure both tires are equally inflated. The correct air pressure is 14 PSI (1 BAR) to 17 PSI (1.25 BAR). Do not exceed the maximum amount of air pressure shown on the side of the tire.
3. Put the extra shear bolts (found in the parts bag) under each end of the scraper bar (15) next to the adjustable skids (7).
4. Loosen the mounting nuts (16) that hold the adjustable skids (7). To bring the front of the snow thrower down, raise each adjustable skids (7). Tighten the mounting nuts (16).

**NOTE:** For rocky or uneven surfaces, raise the front of the snow thrower by moving the adjustable skids (7) down.



**WARNING:** Be certain to maintain proper ground clearance for the area to be cleared. Objects such as gravel, rocks or other debris, if struck by the impeller, can be thrown with sufficient force to cause personal injury, property damage or damage to the snow thrower.

### How To Adjust The Scraper Bar (Figure 2)

After considerable use, the scraper bar (15) will become worn. The scraper bar (15), in conjunction with the skids, must be adjusted to allow 1/8 inch clearance between the scraper bar (15) and the sidewalk or area to be cleared.

1. Put the snow thrower on a level surface.
2. Make sure both tires are equally inflated. The correct air pressure is 14 PSI (1 BAR) to 17 PSI (1.25 BAR). Do not exceed the maximum amount of air pressure shown on the side of the tire.
3. Loosen the carriage bolts and nuts that hold the scraper bar (15) to the auger housing (4).
4. Adjust the scraper bar (15) to allow 1/8 inch clearance between the scraper bar (15) and the sidewalk or area to be cleared.
5. Tighten the carriage bolts and nuts. Make sure that the scraper bar (15) is parallel with the sidewalk or area to be cleared.
6. To extended the life of the scraper bar (15), remove and reverse the mounting of the scraper bar (15).

### How To Check And Adjust The Cables

The traction drive cable and the auger drive cable are adjusted at the factory. During normal use, a cable can become stretched and must be checked and adjusted as follows.

#### How To Check The Cables (Figure 11)

1. Move drive lever (2) to the full forward position. Holding cable tight, note position of fitting to hole in drive lever (2).
2. The control cable is correctly adjusted if the center of the “Z” fitting (1) is aligned (4) with the hole in the drive lever (2) and there is no droop in the cable.

F-041002L

### How To Adjust The Auger Drive Cable

1. Remove the gas from the gas tank. Stand the snow thrower up on the front end of the auger housing.



**WARNING:** Drain the gasoline outdoors, away from fire or flame.

2. (Figure 11) Disconnect the “Z” fitting (1) from the drive lever (2).
3. (Figure 12) Pull the spring cover up to expose the spring (5). Push the cable (6) through the spring (5) to expose the square end (7) on the cable (6).
4. Hold the square end (7) with pliers and adjust the locknut (8) in or out until the excess slack is removed.
5. Pull the cable (6) back through the spring (5).
6. (Figure 11) Connect the “Z” fitting (1) to the drive lever (2).

**NOTE:** When the auger drive belt is adjusted or replaced, check and adjust the cable.

### How To Adjust The Traction Drive Cable

1. Remove the gas from the gas tank. Stand the snow thrower up on the front end of the auger housing.



**WARNING:** Drain the gasoline outdoors, away from fire or flame.

2. (Figure 17) Loosen the bolts (3) on each side of the bottom panel (2).
3. Remove the bottom panel (2).
4. (Figure 11) Disconnect the “Z” fitting (1) from the traction drive lever (2).
5. (Figure 23) Slide the cable boot (3) off the cable adjustment bracket (4).
6. Push the bottom of the traction control cable (5) through the cable adjustment bracket (4) until the “Z” hook (6) can be removed.
7. Remove the “Z” hook (6) from the cable adjustment bracket (4). Move the “Z” hook (6) down to the next adjustment hole.
8. Pull the traction control cable (5) up through the cable adjustment bracket (4).
9. Put the cable boot (3) over the cable adjustment bracket (4).
10. (Figure 11) Install the “Z” fitting (1) to the traction drive lever (2).
11. (Figure 10) To check the adjustment, depress the drive lever and check the length “A” of the drive spring (7). In correct adjustment, the length “A” of the drive spring (7) is as follows:  
minimum 3 inches (76 mm.)  
maximum 3-3/8 inches (85 mm.).
12. (Figure 17) Install the bottom panel (2).
13. Tighten the bolts (3) on each side of the bottom panel (2).

### How To Adjust The Belts

The belts will stretch during normal use. If you need to adjust the belts due to wear or stretch, proceed as follows.

#### How To Adjust The Auger Drive Belt

If the snow thrower will not discharge snow, check the adjustment of the auger drive cable. See “How To Check And Adjust The Cables” in the Maintenance section. If the adjustment is

correct, then check the condition of the auger drive belt. If the auger drive belt is damaged, replace the auger drive belt. See “How To Replace The Belts” in the Maintenance section. If the auger drive belt is loose, adjust as follows.

1. Disconnect the spark plug wire.
2. (Figure 13) Remove screw (2) from belt cover (1). Remove the belt cover (1).
3. (Figure 14) Loosen the nut (2) on the idler pulley (3) Move the idler pulley (3) 1/8 inch toward the auger drive belt (4).
4. Tighten the nut (2).
5. (Figure 16) Depress the auger drive lever. Check the tension on the auger drive belt (4). In correct adjustment, the auger drive belt (4) will deflect 1/2 inch (5) with moderate pressure. If the adjustment is not correct, repeat the adjustment.
6. (Figure 13) Install the belt cover (1). Tighten screw (2).
7. Check the adjustment of the auger drive cable. See “How To Check And Adjust The Cables” in the Maintenance section.
8. Attach the spark plug wire.

#### Traction Drive Belt

The traction drive belt has constant spring pressure and does not require an adjustment. If the traction drive belt is slipping, replace the belt. See “How To Replace The Belts” in the Maintenance section.

### How To Replace The Belts

The drive belts are of special construction and must be replaced with original factory replacement belts available from your nearest authorized service center.

Some steps require the assistance of a second person.

#### How To Remove the Auger Drive Belt

If the auger drive belt is damaged, the snow thrower will not discharge snow. Replace the damaged belt as follows.

1. Disconnect the spark plug wire.
2. (Figure 17) Loosen the bolts (3) on each side of the bottom panel (2).
3. Remove the bottom panel (2).
4. (Figure 13) Remove screw (2) from belt cover (1). Remove the belt cover (1).
5. (Figure 14) Loosen the belt guide (9). Pull the belt guide (9) away from the auger drive pulley (10).
6. Pull the idler pulley (3) away from the auger drive belt (4) and slip the auger drive belt (4) off of the idler pulley (3).
7. Remove the auger drive belt (4) from the engine pulley (11). To remove the auger drive belt (4), the engine pulley (11) may have to be partially rotated.
8. (Figure 15) Remove the top four bolts (21) that hold together the auger housing (22) and the motor box (23). Loosen the bottom two bolts (24). The auger housing (22) and the motor box (23) can now be split apart for removal of the belt.
9. (Figure 14) Remove the old auger drive belt (4) from the auger drive pulley (10). Replace the auger drive belt (4) with an original factory replacement belt available from an authorized service center.

10. Install the new **auger drive belt (4)** onto the **auger drive pulley (10)**.  
**NOTE: To assemble the auger housing (22) to the motor box (23), have someone hold the auger clutch lever in the ENGAGED position. This will move the idler arm and pulley (3) enough to allow the auger drive pulley (10) to move back into position.**
11. Assemble the **auger housing (22)** to the **motor box (23)** with the four **bolts (21)** that were removed in step 8. Tighten the bottom two **bolts (24)**.
12. Install the **auger drive belt (4)** onto the **engine pulley (11)**.
13. Slip the **auger drive belt (4)** under the **idler pulley (3)**.
14. Adjust the **auger drive belt (4)**. See "How To Adjust The Auger Drive Belt" in the Maintenance section.
15. Adjust the **belt guide (9)**. See "How To Adjust The Belt Guide" in the Maintenance section.
16. (**Figure 13**) Install the **belt cover (1)**. Tighten **screw (2)**.
17. Check the adjustment of the cables. See "How To Check And Adjust The Cables" in the Maintenance section.
18. (**Figure 17**) Install the **bottom panel (2)**.
19. Tighten the **bolts (3)** on each side of the **bottom panel (2)**.
20. Connect the spark plug wire.

#### How To Remove the Traction Drive Belt

If the snow thrower will not move forward, check the traction drive belt for wear or damage. If the traction drive belt is worn or damaged, replace the belt as follows.

1. Disconnect the spark plug wire.
2. Remove the auger drive belt. See "How To Remove The Auger Drive Belt" in the Maintenance section.
3. (**Figure 14**) Remove the **e-ring (17)** from one end of the **swing plate axle rod (18)**. Remove the **swing plate axle rod (18)** to allow the the swing plate to pivot forward.
4. Remove the **traction drive spring (16)**.
5. Remove the old **traction drive belt (13)** from the **traction drive pulley (14)** and from the **engine pulley (15)**. Replace the **traction drive belt (13)** with an original factory replacement belt available from an authorized service center.
6. Install the new **traction drive belt (13)** onto the **traction drive pulley (14)** and onto **engine pulley (15)**.
7. Make sure the **traction drive idler pulley (12)** is properly aligned with the **traction drive belt (13)**.
8. Attach the **traction drive spring (16)**.
9. Install the **swing plate axle rod (18)** and secure with the **e-ring (17)** removed earlier.
10. (**Figure 26**) The bottom of the **swing plate (20)** must be positioned between the **alignment tabs (19)**. Make sure the **swing plate (20)** is properly secured.

**NOTE: If the drive will not engage after the traction drive belt has been replaced, then check to make sure that the swing plate is positioned between the alignment tabs (19).**

F-041002L

11. (**Figure 14**) Install and adjust the **auger drive belt (4)**. See "How To Remove The Auger Drive Belt" in the Maintenance section.
12. Adjust the **belt guide (9)**. See "How To Adjust The Belt Guide" in the Maintenance section.
13. (**Figure 17**) Install the **bottom panel (2)**.
14. Tighten the **bolts (3)** on each side of the **bottom panel (2)**.
15. (**Figure 13**) Install the **belt cover (1)**. Tighten **screw (2)**.
16. Check the adjustment of the cables. See "How To Check And Adjust The Cables" in the Maintenance section.
17. Connect the spark plug wire.

#### How To Adjust The Belt Guide

1. Disconnect spark plug wire.
2. (**Figure 13**) Remove **screw (2)**. Remove the **belt cover (1)**.
3. (**Figure 2**) Engage the **auger drive lever (5)**.
4. (**Figure 18**) Measure the distance between the **belt guide (2)** and **auger drive belt (3)**. The **correct distance (4)** is 1/8 inch (3.175 mm).
5. If an adjustment is necessary, loosen the mounting bolt for the **belt guide (2)**. Move the **belt guide (2)** to the **correct position (4)**. Tighten the mounting bolt for the **belt guide (2)**.
6. (**Figure 13**) Install the **belt cover (1)**. Tighten **screw (2)**.
7. Connect the spark plug wire.

#### How To Adjust Or Replace The Friction Wheel

##### How To Check The Friction Wheel

If the snow thrower will not move forward, check the traction drive belt, the traction drive cable or the friction wheel. If the friction wheel is worn or damaged, it must be replaced. See "How To Replace the Friction Wheel" in this section. If the friction wheel is not worn or damaged, check as follows.

1. (**Figure 2**) Remove the gas from the gas tank. Stand the snow thrower up on the front end of the **auger housing (4)**.



**WARNING: Drain the gasoline outdoors, away from fire or flame.**

2. Disconnect the spark plug wire.
3. (**Figure 17**) Loosen the **bolts (3)** on each side of the **bottom panel (2)**.
4. Remove the **bottom panel (2)**.
5. (**Figure 2**) Position the **shift speed lever (6)** in the lowest forward speed.
6. (**Figure 19**) Note the position of the **friction wheel (4)**. The correct distance "A" from the right side of the **friction wheel (4)** to the outside of the motorbox is as follows:  

Tire Size	Distance "A"
12 and 13 inch	4-1/8" (10.5 cm.)
16 inch	4-5/16" (10.95 cm.)

 If the **friction wheel (4)** is not in the correct position, adjust as follows.

##### How To Adjust The Friction Wheel

1. (**Figure 2**) Position the **shift speed lever (6)** in the lowest forward speed.

2. (**Figure 20**) Loosen the **bolts (1)** on the **speed control rod (8)**.
3. (**Figure 19**) Move the **friction wheel (4)** to the correct position.
4. (**Figure 20**) Tighten the **bolts (1)** on the **speed control rod (8)**.
5. (**Figure 17**) Install the **bottom panel (2)**.
6. Tighten the **bolts (3)** on each side of the **bottom panel (2)**.

#### How To Replace The Friction Wheel

If the friction wheel is worn or damaged, the snow thrower will not move forward. The friction wheel must be replaced as follows.

1. (**Figure 2**) Remove the gas from the gas tank. Stand the snow thrower up on the front end of the **auger housing (4)**.



**WARNING: Drain the gasoline outdoors, away from fire or flame.**

2. Disconnect the spark plug wire.
3. (**Figure 24**) Remove the fasteners that secure the left **wheel (10)**. Remove the **left wheel (10)** from the **axle (11)**.
4. Loosen the **bolts (3)** on each side of the **bottom panel (2)**.
5. Remove the **bottom panel (2)**.
6. (**Figure 25**) Remove the fasteners that secure the **drive sprocket (12)** to the **axle (11)**.
7. Remove the right wheel, **axle (11)**, and **drive sprocket (12)**.
8. (**Figure 26**) Remove the four **bolts (16)** that hold the **bearings (7)** on each side of the **hex shaft (8)**.
9. (**Figure 27**) Remove the **hex shaft (8)** and **bearings (7)**.  
**NOTE: Take special note of the position of the washers (17) .**

10. (**Figure 21**) Remove the three **fasteners (4)** that hold the **friction wheel (5)** to the **hub (6)**.
11. (**Figure 21**) Remove the **friction wheel (5)** from the **hub (6)**. Slip the **friction wheel (5)** off the **hex shaft (8)**.
12. Assemble the new **friction wheel (5)** onto **hub (6)** with the fasteners removed earlier.
13. (**Figure 27**) Install the **hex shaft (8)** and **bearings (7)** with the four bolts removed earlier.  
**Make sure the washers (17) are properly installed in the original position. Also, make sure the two washers (13) are properly aligned with the actuator arms (14).**

14. Make sure the **hex shaft (8)** turns freely.
15. (**Figure 25**) Install the right wheel, **axle (11)**, and **drive sprocket (12)** with the fasteners removed earlier. Install the **chain (15)** onto the **drive sprocket (12)**.
16. Check the adjustment of the friction wheel. See "How To Adjust The Friction Wheel" in this section.
17. Make sure the friction wheel and the disc drive plate are free from grease or oil.
18. (**Figure 17**) Install the **bottom panel (2)**.
19. Tighten the **bolts (3)** on each side of the **bottom panel (2)**.
20. (**Figure 24**) Install the **left wheel (10)** to the **axle (11)** with the fasteners removed earlier.
21. Connect the spark plug wire.

#### How To Replace the Auger Shear Bolt

The augers are secured to the auger shaft with special shear bolts. These shear bolts are de-

signed to break and protect the machine if an object becomes lodged in the auger housing. Do not use a harder bolt as the protection provided by the shear bolt will be lost.



**WARNING: For safety and to protect the machine, use only original equipment shear bolts.**

To replace a broken shear bolt, proceed as follows. Extra shear bolts were provided in the assembly parts bag.

1. **(Figure 2)** Move the **throttle control (13)** to the stop position. Disengage all controls.
2. Disconnect the spark plug wire. Make sure all moving parts have stopped.
3. **(Figure 9)** Lubricate the auger shaft **Zerk fitting (1)**, if equipped, with a grease gun.
4. **(Figure 22)** Align the hole in the auger with the hole in the auger shaft. Install the new **shear bolt (2)**, **spacer (3)** and **locknut (4)**.
5. Connect the spark plug wire.

**How To Prepare The Snow Thrower For Storage**



**WARNING: Do not remove gasoline while inside a building, near a fire, or while you smoke. Gasoline fumes can cause an explosion or a fire.**

1. Drain the fuel tank.
2. Let the engine run until it is out of gasoline.
3. Drain the oil from the warm engine. Fill the engine crankcase with new oil.
4. Remove the spark plug from the cylinder. Pour one ounce of oil into the cylinder. Slowly pull the recoil-start grip so that the oil will protect the cylinder. Install a new spark plug in the cylinder.

5. Thoroughly clean the snow thrower.
6. Lubricate all lubrication points. See the Maintenance section.
7. Be sure that all nuts, bolts and screws are securely fastened. Inspect all visible moving parts for damage, breakage and wear. Replace if necessary.
8. Cover the bare metal parts of the blower housing, auger, and the impeller with spray rust preventative lubricant.
9. Put the unit in a building that has good ventilation.
10. If the machine must be stored outdoors, block up the snow thrower to be sure the entire machine is off the ground.
11. Cover the snow thrower with a suitable protective cover that does not retain moisture. Do not use plastic.

**How To Order Replacement Parts**

The replacement parts are shown either on the back pages of this Instruction Book or in a separate Parts List Book.

Use only manufacturer's authorized or approved replacement parts. The letter placed on the end of the part number denotes the type of finish for the part, C for chrome, Z for zinc, a PA for purchased assembly. It is important that you include this when ordering a part. Do not use attachments or accessories not specifically recommended for this unit. In order to obtain proper replacement parts you must supply the model number (see nameplate).

Replacement parts, except for the engine, transmission, transaxle or differential, are available from the store where the product was purchased, a service shop recommended by the store or from a "Murray, Inc. Central Parts Distributor" listed on the back page of this Instruction Book.

If you are unable to obtain parts or service in the manner outlined above, then contact:

**USA – MURRAY, INC.**  
 Outdoor Power Equipment  
 Customer Service Department  
 P.O. Box 268  
 Brentwood, Tennessee 37027  
 1-800-251-8007

**CANADA – MURRAY CANADA, INC.**  
 Factory Customer Service  
 1195 Courtneypark Drive East  
 Mississauga, Ont. L5T-1R1  
 1-800-661-6662 Collect telephone calls will not be accepted.

Replacement parts for the engine, transaxle, or transmission, are available from the manufacturer's authorized service center found in the yellow pages of the telephone directory. Also, see the individual engine or transmission warranties to order replacement parts.

When ordering the following information is required:

- (1) The Model Number
- (2) Serial Number
- (3) Part Number
- (4) Quantity

**TROUBLE SHOOTING CHART**

TROUBLE	CAUSE	CORRECTION
Difficult starting	Defective spark plug.	Replace spark plug.
	Water or dirt in fuel system.	Use carburetor bowl drain to flush and refill with fresh fuel.
Engine runs erratic	Blocked fuel line, empty gas tank, or stale gasoline	Clean fuel line; check fuel supply; add fresh gasoline
Engine stalls	Unit running on CHOKE.	Set choke lever to RUN position.
Engine runs erratic; Loss of power	Water or dirt in fuel system.	Use carburetor bowl drain to flush and refill with fresh fuel.
Excessive vibration	Loose parts: damaged impeller	Stop engine immediately and disconnect spark plug wire. Tighten all bolts and make all necessary repairs. If vibration continues, have the unit serviced by a competent repairman.
Unit fails to propel itself	Drive belt loose or damaged.	Replace drive belt.
	Incorrect adjustment of traction drive cable	Adjust traction drive cable.
	Worn or damaged friction wheel.	Replace friction wheel.
Unit fails to discharge snow	Auger drive belt loose or damaged.	Adjust auger drive belt; replace if damaged.
	Auger control cable not adjusted correctly.	Adjust auger control cable.
	Shear bolt broken	Replace shear bolt
	Discharge chute clogged.	Stop engine immediately and disconnect spark plug wire. Clean discharge chute and inside of auger housing.
	Foreign object lodged in auger	Stop engine immediately and disconnect spark plug wire. Remove object from auger.

## SOMMAIRE

<b>INFORMATIONS SUR LE PRODUIT</b>	<b>19</b>
<b>INFORMATIONS DESTINÉES AU PROPRIÉTAIRE</b>	<b>19</b>
<b>PICTOGRAMMES INTERNATIONAUX</b>	<b>20</b>
<b>MONTAGE</b>	<b>22</b>
<b>FONCTIONNEMENT</b>	<b>22</b>
<b>MAINTENANCE</b>	<b>25</b>
<b>TABLEAU DE DEPANNAGE</b>	<b>29</b>

## GARANTIE LIMITÉE DE DEUX ANS

Murray, Inc. garantie auprès de l'acheteur initial que cette machine est dépourvue de défauts matériels et de construction sous utilisation et entretien normaux pendant une durée de **deux (2) ans** à partir de la date d'acquisition ; cette garantie cependant ne couvre pas les moteurs, accessoires (tels que moteurs électriques) et pièces d'usure normale (exceptées les pièces mentionnées ci-dessous) étant donné que les sociétés fabriquant ces articles offrent leurs propres garanties et fournissent des réparations par le biais de leurs centres de maintenance spécialisés agréés. Pour plus d'informations, se reporter aux garanties couvrant ces pièces particulières. Si vous ne savez pas si votre machine contient ou est équipée d'une ou plusieurs de ces pièces, adressez vous à votre revendeur avant l'acquisition. Sous réserve des modalités et conditions de cette garantie limitée, nous nous engageons à réparer ou remplacer, à notre discrétion et gratuitement auprès de

l'acheteur initial, toute pièce couverte par cette garantie limitée jusqu'à l'expiration de la garantie applicable.

Les pièces d'usure normale comprennent les courroies d'entraînement, les fraises hélicoïdales, les goupilles de cisaillement, les pneumatiques, et les phares. Ces pièces sont garanties sans défaut matériel ou de construction dans l'état où elles ont été livrées avec le produit. Toute réclamation concernant la réparation ou le remplacement d'une pièce d'usure normale doit être effectuée dans les trente (30) jours suivant la date d'acquisition. Aucune réclamation ne sera honorée concernant des dommages provenant de la simple utilisation, d'un usage abusif, ou d'une mauvaise utilisation.

Cette **garantie Murray, Inc. de deux (2) ans** constitue votre recours exclusif ; cependant, cette garantie est nulle ou ne s'applique pas aux machines ayant été modifiées, endommagées, fait l'objet d'une utilisation abusive, ou utilisées lors d'une location ou à des fins commerciales et/ou professionnelles (autre que domestiques). Votre garantie ne couvre pas les réglages mécaniques mineurs non dus à des défauts matériels de fabrication. Consultez votre manuel d'utilisation pour obtenir une assistance concernant ces réglages.

Pour effectuer une réclamation sous la **garantie limitée de deux (2) ans** Murray, Inc., retourner la machine, (ou, suivant notre autorisation préalable, la pièce défectueuse) accompagnée de votre preuve d'achat, auprès du Centre de maintenance agréé le plus proche de chez vous.

Pour localiser le centre de maintenance le plus proche, contactez le Distributeur de pièces régional de votre région figurant sur la liste fournie avec votre machine, ou consultez les pages jaunes de votre annuaire téléphonique local. Si vous nous retournez la machine complète, nous réparerons celle-ci. Si nous autorisons seulement le retour de la pièce défectueuse, nous effectuerons soit la réparation de celle-ci, soit son remplacement. Cette **garantie limitée Murray, Inc. de deux (2) ans** vous octroie des droits légaux spécifiques, et vous pouvez également vous prévaloir d'autres droits dont le contenu varie selon l'Etat où ils s'appliquent. **Cette garantie limitée est délivrée en lieu et place de toute garantie stipulée ou tacite, ceci incluant la garantie tacite de commerciabilité et la garantie de fonctionnalité pour une tâche définie.** Si vous souhaitez recevoir des informations supplémentaires concernant cette garantie écrite ou une assistance quant à l'obtention de services de réparation, adressez-vous à :

## USA – MURRAY, INC.

Outdoor Power Equipment  
Customer Service Department  
P.O. Box 268  
Brentwood, Tennessee 37027  
1-800-251-8007

## CANADA – MURRAY CANADA, INC.

Factory Customer Service  
1195 CoutneyPark Drive East  
Mississauga, Ont. L5T-1R1  
1-800-661-6662

## INFORMATIONS SUR LE PRODUIT

Le propriétaire doit être certain que tous les renseignements sur le produit sont inclus avec la tondeuse. Ces renseignements comprennent les MANUELS D'INSTRUCTION, les PIÈCES DE RECHANGE, et les GARANTIES. Ces renseignements doivent être inclus pour s'assurer que les lois d'Etat et les autres lois sont observés.

## INFORMATIONS DESTINÉES AU PROPRIÉTAIRE

Ce manuel se dirige aux personnes familiarisées avec ce genre de manipulations mécaniques. La plupart des ouvrages de maintenance ne mentionnent pas toutes les étapes, et cet ouvrage ne fait pas exception. Serrer ou desserrer des attaches sont des manipulations que tout le monde peut effectuer avec une certaine pratique. Lisez et suivez ces instructions avant d'utiliser la tondeuse.

**Apprenez à maîtriser l'appareil** : si vous comprenez le fonctionnement de ce modèle, vous en obtiendrez les meilleures performances. Au fur et à mesure que vous lisez le manuel, reportez-vous aux illustrations. Sachez repérer l'emplacement des commandes et leur fonction. Afin de prévenir tout risque d'accident, observez les instructions de fonctionnement et les règles de sé-

F-041002L

curité. Conservez ce manuel pour future référence.

**IMPORTANT** : De nombreux appareils ne sont pas assemblés et sont vendus démontés dans leur carton d'emballage. Il est alors de la responsabilité du propriétaire de veiller à ce que les instructions de montage présentes dans le manuel soient suivies en toute exactitude. D'autres appareils sont vendus entièrement montés. En ce qui concerne les machines déjà montées, il est de la responsabilité du propriétaire de veiller à ce que la machine soit correctement assemblée. Le propriétaire doit vérifier attentivement la machine en fonction des instructions présentes dans le manuel avant de commencer à utiliser celle-ci.



**DANGER** : repérez ce symbole qui vous indiquera les précautions de sécurité importantes. Ce symbole signifie : "Attention! Soyez prudent! Vous encourez des risques."

## Responsabilité de l'utilisateur

**La responsabilité de l'utilisateur est de suivre les instructions ci-dessous.**

1. Lire soigneusement ce manuel et suivre les règles indiquées pour un usage de la tondeuse en toute sécurité.

2. Suivre les instructions de montage et de préparation.
3. Inspecter la tondeuse.
4. S'assurer que l'utilisateur de la tondeuse sait bien utiliser les équipements standards et les accessoires.
5. N'utiliser la tondeuse qu'avec les équipements de protection, les écrans et autres dispositifs de sécurité bien en place et en bon état de marche.
6. Procéder aux réglages nécessaires.
7. Entretenir la tondeuse avec les pièces de rechange autorisées ou agréées.
8. Veiller à ce qu'un entretien complet soit effectué sur la tondeuse.

## Prise de conscience environnementale

- Ne pas remplir le réservoir d'essence du moteur au ras-bord.
- Vider l'essence pendant le remisage hors saison.
- N'utiliser que de l'essence sans plomb.
- Entretenir régulièrement le filtre à air.
- Changer l'huile régulièrement. Utiliser de l'huile de grade 5W-30.
- Effectuer un réglage du moteur régulièrement.
- Conserver le matériel en bon état de marche.
- Eliminer l'huile de vidange de façon écologique.

## PICTOGRAMMES INTERNATIONAUX

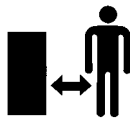
**IMPORTANT** : les pictogrammes suivants sont situés sur votre appareil ou dans la documentation ci-jointe. Avant de vous servir de la tondeuse, apprenez à reconnaître chaque pictogramme.

### Symboles de signalisation de danger

30



**DANGER**  
Projection d'objets.  
Eloigner tout spectateur.



**DANGER**  
Projection d'objets.  
Eloigner tout spectateur.



**DANGER**



**IMPORTANT**  
Lire le manuel de l'utilisateur avant de faire fonctionner cette machine



**DANGER**  
Prévenir les blessures dues à la fraise hélicoïdale en rotation. Ecartez vos mains, pieds, et vêtements.



**DANGER**  
surface brûlante



**STOP**



**DANGER**  
Arrêter le moteur avant de déboucher le déversoir!

### Symboles de commandes et de conduite



Lent



Rapide



Démarrage électrique



Démarrage moteur



Moteur en marche



Moteur à l'arrêt



Arrêt moteur



Marche



Arrêt starter



Marche starter



Point mort



Marche avant



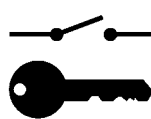
Marche arrière



Accélérateur



Bouton d'amorçage



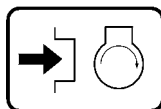
Clé du démarreur



Démarreur hors tension



Démarreur sous tension



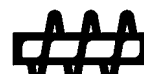
Appuyer pour engager le starter électrique



Embrayage



Embrayage de la fraise



Collecteur de la fraise



Déversoir ABAISSE



Déversoir LEVE



Décharge gauche



Décharge droite



Embrayage des roues



Carburant



huile



Mélange essence/huile



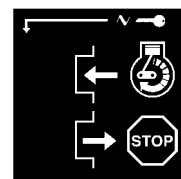
Transfert de poids  
Lever la manette pour embrayer



Transfert de poids  
Abaisser la manette pour débrayer



Transmission



Clé du démarreur  
Insérer pour mettre en marche,  
retirer pour arrêter.

## REGLES DE SECURITE A SUIVRE POUR L'UTILISATION DES CHASSE-NEIGE SELON LES RECOMMANDATIONS DE L'AMERICAN NATIONAL STANDARDS INSTITUTE.

**IMPORTANT** : les normes de sécurité requièrent des contrôles de la présence du conducteur pour limiter les risques de blessures. Votre chasse-neige est équipé de ces contrôles. Ne pas tenter de rendre la fonction de contrôle de la présence du conducteur inopérante quelles que soient les circonstances.

### Conseils préliminaires

1. Lisez soigneusement le manuel de fonctionnement et les consignes. Familiarisez-vous avec les commandes ainsi qu'avec les modes appropriés d'utilisation de la machine.
2. N'autorisez jamais un enfant ou une personne ignorant ces consignes de sécurité à se servir de la tondeuse.
3. Assurez-vous que toute personne, les enfants en particulier, sont à l'écart du lieu d'utilisation de la tondeuse.
4. User de précautions pour éviter de glisser ou de tomber, surtout lors de la conduite en marche arrière.

### Préparation

1. Inspectez à fond le lieu où le matériel doit être utilisé. Enlevez tous paillasons, patins, planches, fils, et autres corps étrangers.
2. Débrayer toutes les commandes avant de démarrer le moteur.
3. Ne pas faire fonctionner la machine sans porter de vêtements d'extérieur appropriés pour l'hiver. Chaussés des chaussures permettant d'améliorer l'adhérence sur surfaces glissantes.
4. Manipuler le carburant avec prudence ; celui-ci est hautement inflammable.
  - a. Utiliser un bidon d'essence approprié.
  - b. Ne jamais retirer le bouchon du réservoir d'essence ou ajouter de l'essence dans un moteur en marche ou un moteur chaud.
  - c. Remplir le réservoir en plein air en usant d'extrêmes précautions. Ne jamais faire le plein à l'intérieur d'un bâtiment.
  - d. Revisser le bouchon soigneusement et essuyer l'essence renversée.
  - e. Ne remisez jamais de l'essence ou le chasse-neige lorsqu'il y a de l'essence dans le réservoir, dans un endroit clos où les émanations pourraient entrer en contact avec une flamme ou une étincelle.
  - f. Vérifier le niveau d'essence avant chaque utilisation, tout en prévoyant de l'espace pour l'expansion de l'essence due au fait que la chaleur du moteur et/ou du soleil peut provoquer l'expansion de l'essence.
5. Pour toutes les machines équipées de moteur à démarrage électrique, utiliser des rallonges de démarrage certifiées CSA/UL. N'utiliser qu'avec une prise de courant ayant été installée conformément aux autorités chargées de l'inspection locale.
6. Régler le chasse-neige de façon à éviter les graviers et les surfaces couvertes de gravats.

7. Ne tentez jamais de faire de quelconques réglages lorsque le moteur est en marche (sauf si spécifiquement indiqué par le fabricant).
8. Laisser le moteur et le chasse-neige s'adapter à la température extérieure avant de commencer à déneiger.
9. Portez toujours des lunettes de sécurité ou un écran pour les yeux lorsque que vous employez le chasse-neige ou lors de réglages ou de réparations, afin de protéger vos yeux de corps étrangers pouvant être projetés par le chasse-neige.

### Fonctionnement

1. Ne pas se servir de cette machine lors de la prise de drogues ou d'autres médicaments pouvant causer la somnolence ou diminuer vos capacités à conduire la machine.
2. Ne pas utiliser cette machine si vous êtes dans l'incapacité mentale ou physique de la conduire sans danger.
3. Tenez vos mains et vos pieds à l'écart des parties tournantes. Tenez vous à distance de la goulotte de décharge à tout instant.
4. User de précaution extrême en traversant les allées en gravier, les trottoirs ou les routes. Se tenir en garde face aux dangers dissimulés ou à la circulation routière.
5. Si vous heurtez un corps étranger, coupez le moteur. Retirez le câble de la bougie. Inspectez soigneusement le chasse-neige afin de vérifier s'il y a des dégâts. S'il est endommagé, réparez-le avant de démarrer et de le faire fonctionner à nouveau.
6. Si la machine vibre anormalement, coupez le moteur, et déterminez immédiatement la cause de ce bruit. La vibration signale généralement un problème.
7. Coupez le moteur lorsque vous arrêtez de conduire la machine, avant de déboucher le carter de la fraise/l'impulseur ou le déversoir et lors de toute réparation, inspection ou de tout réglage.
8. Lors d'un nettoyage, d'une réparation ou d'une inspection, assurez-vous que la fraise/l'impulseur et toutes les parties mobiles sont arrêtées. Débranchez le câble de la bougie, et tenez le fil éloigné de la bougie afin de prévenir un démarrage accidentel.
9. Prenez toutes les précautions possibles lorsque vous laissez le chasse-neige sans surveillance. Désengagez la fraise/l'impulseur, arrêtez le moteur, et retirez la clé.
10. Ne faites pas fonctionner le moteur à l'intérieur, sauf pour démarrer le moteur, et pour sortir et rentrer la machine. Ouvrir les portes donnant vers l'extérieur ; les gaz d'échappement sont dangereux (ils contiennent du MONOXYDE DE CARBONE, qui est un GAZ INODORE ET MORTEL).
11. Ne déneigez pas à l'horizontal des pentes. Soyez extrêmement prudent en changeant de direction sur les pentes. Ne tentez pas de déneiger des pentes excessivement abruptes.

12. N'utilisez jamais le chasse-neige sans les protections nécessaires : déflecteurs, commandes de sécurité, plaques, ou autres dispositifs de sécurité en place.
13. Ne jamais utiliser le chasse-neige à proximité de clôtures, d'automobiles, d'encadrements de soupiriaux, de points de décharge de passagers ou lieux similaires sans réglage approprié de l'angle du déversoir. Eloigner enfants et animaux.
14. Ne pas surcharger la capacité de la machine en tentant de déneiger rapidement.
15. Ne jamais conduire le chasse-neige en vitesse accélérée sur des surfaces glissantes. Regarder vers l'arrière et user de précautions en opérant la marche arrière.
16. Ne jamais diriger le déversoir vers les personnes environnantes ou permettre à quiconque de se placer en face de la machine.
17. Débrayer l'entraînement de la fraise/l'impulseur lors du transport du chasse-neige ou de sa non utilisation.
18. N'utiliser que les pièces et accessoires agréés par le fabricant du chasse-neige (comme les chaînes des pneumatiques, les kits de démarrage électrique, etc.).
19. Ne jamais conduire le chasse-neige sans visibilité ou lumière suffisante. Toujours conserver un bon équilibre et bien agripper les poignées. Marcher et ne jamais courir.
20. Ne pas essayer d'atteindre trop loin. Conserver un bon équilibre et une bonne prise au sol à chaque instant.
21. Exercer toute précaution en travaillant sur des surfaces en pente abrupte.
22. Ce chasse-neige est conçu pour l'utilisation sur trottoirs, accès de garage et autres surfaces au sol.
23. Ne pas utiliser le chasse-neige sur des surfaces élevées par rapport au sol comme les toits de maisons, de garages, de porches ou autres structures ou bâtiments similaires.

### Entretien et remisage

1. Vérifiez le bon serrage des boulons de cisaillement et des autres boulons à intervalles fréquents afin de veiller à ce que le matériel soit en bon état de marche.
2. Ne jamais remiser la tondeuse avec de l'essence dans le réservoir dans un endroit clos où des sources d'ignition sont présentes, telles que des chauffe-eaux ou des radiateurs, des sèche-linge et appareils similaires. Laissez le moteur se refroidir avant de remiser la machine dans un endroit clos.
3. Toujours se référer aux instructions du guide utilisateur pour obtenir des détails importants au cas où le chasse-neige doit être remisé pendant une longue période de temps.
4. Entretien ou remplacer les étiquettes de commandes et de sécurité.
5. Faire tourner le moteur du chasse-neige pendant quelques minutes afin d'éviter de geler la fraise/l'impulseur.

## MONTAGE

Lire et suivre les instructions de montage et de réglage de votre chasse-neige. Toutes les attaches se trouvent dans le sac de pièces détachées. Ne jeter aucune pièce avant d'avoir monté la machine.



**DANGER : avant de monter le chasse-neige ou de procéder à son entretien, retirer le câble de la bougie.**

**REMARQUE : dans ce manuel, la gauche et la droite désignent l'emplacement d'une pièce par rapport à la position du conducteur à l'arrière de la machine.**

**REMARQUE : le couple de torsion se mesure en Newton-mètre (pieds-livre). Il permet d'évaluer le serrage d'un boulon ou d'une vis. Le couple de torsion se mesure à l'aide d'une clé dynamométrique.**

**REMARQUE : les illustrations commencent à la page 3.**

**REMARQUE : Les fixations et pièces en vrac fournies sont illustrées grandeur nature dans la figure 28.**

### OUTILS NECESSAIRES

- 1 Couteau
- 1 Pince
- 2 Clés à fourche de 1/2 pouces
- 2 Clés à fourche de 9/16 pouces
- 2 Clés à fourche de 3/4 pouces
- 1 Mètre ruban ou règle.
- 1 Tournevis

### Retrait du chasse-neige de son carton d'emballage

1. (Figure 1) Le chasse-neige est illustré dans sa position à l'expédition.
2. Couper et jeter les liens de plastique attachant le levier.
3. Découper les quatre coins du carton d'emballage et abaisser les panneaux latéraux au sol.
4. Repérer toutes les pièces emballées séparément et les retirer du carton.
5. Retirer et jeter le matériel d'emballage du chasse-neige.
6. Agripper la poignée inférieure et tirer le chasse-neige hors de la palette.

**ATTENTION: NE PAS rouler sur les câbles.**

7. Retirer l'emballage de l'ensemble guidon.
8. Couper les brides maintenant les câbles de commande d'embrayage (1) du guidon inférieur (2). Eloigner les câbles du châssis du moteur.

### Montage de la poignée et de la manivelle

1. (Figure 3) Dévisser, mais sans les retirer, les fixations (1) dans les trous supérieurs de la poignée inférieure.
2. Retirer toutes les fixations et le boulon à oeillet de la manivelle (11) des trous inférieurs de la poignée inférieure.
3. (Figure 2) Mettre le levier de vitesse (6) en première vitesse de la marche avant.
4. (Figure 3) Soulever la poignée supérieure (2) et la mettre en position de fonctionnement.

**REMARQUE : S'assurer que les câbles ne se prennent pas entre la poignée inférieure et la poignée supérieure.**

5. Remonter les fixations et le boulon à oeillet de la manivelle (11) démontés à l'étape 2. Ne visser qu'une fois toutes les fixations en place.
6. (Figure 4) Attacher la tringle de la manivelle (15) au joint universel (16) à l'aide de la goupille (12).
7. (Figure 3) Serrer l'écrou sur le boulon à oeillet (11). S'assurer que le boulon à oeillet (11) est correctement aligné et que la manivelle (8) peut tourner librement.
8. Visser toutes les fixations de la poignée.

### Vérification des câbles

1. (Figure 5) Vérifier le câble d'entraînement des roues (1) et le câble d'entraînement de la fraise hélicoïdale (2). Si la partie inférieure des câbles a été débranchée, réinstaller les câbles.
2. (Figure 6) Si la partie supérieure des câbles (5) s'est détachée des leviers d'avancée (6), attacher les câbles au support en forme de "z" (7).

### Réglage de la hauteur des patins (Figure 2)

Le chasse-neige est équipé de patins à hauteur réglables (7) montés à l'extérieur du carter de la fraise hélicoïdale (4). Pour effectuer le réglage de la hauteur des patins, voir "Réglage de la hauteur des patins" dans la section Entretien.

### Préparation du moteur

**Remarque : Le moteur a quitté l'usine rempli d'huile. Vérifier le niveau d'huile. En ajouter autant que nécessaire. Suivre les instructions du fabricant de ce moteur au sujet de l'utilisation de l'essence et de l'huile. Le moteur ne contient pas d'ESSENCE.**



**DANGER : suivre les instructions du fabricant du moteur pour connaître le type de carburant et d'huile à utiliser. Toujours utiliser un bidon à essence de sûreté. Ne pas fumer en remplissant le réservoir d'essence. Ne pas faire le plein à l'intérieur d'un bâtiment. Arrêter le moteur avant d'ajouter de l'essence. Laisser refroidir le moteur quelques minutes.**

S'assurer que le moteur contient une quantité d'huile suffisante. Voir les instructions du fabricant du moteur pour connaître le type de carburant et d'huile à utiliser. Avant d'utiliser la machine, lire les informations concernant la sécurité, le fonctionnement, l'entretien et le remisage.

**Important ! Avant de démarrer la machine :**

- Vérifier toutes les fixations. S'assurer que toutes les fixations sont solidement serrées.
- Les modèles à démarrage électrique ont été livrés avec le câble du démarreur branché sur le moteur. Avant d'utiliser la machine, débranchez la câble du démarreur du moteur.

## FONCTIONNEMENT

**REMARQUE : les illustrations apparaissent à la page 3.**

### Se familiariser avec le chasse-neige (Figure 2)

Avant d'utiliser la machine, lire le manuel d'utilisation et les règles de sécurité. Comparer les illustrations avec le chasse-neige pour se familiariser avec l'emplacement des différentes commandes et des réglages.

**Levier d'entraînement des roues (1) –** Sélectionne la marche avant ou la marche arrière.

**Ensemble vilebrequin (2) –** Change l'orientation du déversoir.

**Déversoir (3) –** Change la distance à laquelle la neige est jetée.

**Levier d'entraînement de la fraise hélicoïdale (5) –** Démarre et arrête le mouvement de la fraise et de l'impulseur (collecte et jet de neige).

**Levier de vitesse (6) –** Sélectionne la vitesse du chasse-neige.

**Patin de réglage de la hauteur (7) –** Règle la garde au sol du carter de la fraise.

**Clé de démarrage (8) –** Doit être introduite pour démarrer le moteur.

**Bouton d'amorçage (9) –** Ce bouton sert à injecter de l'essence directement dans le carburateur pour faciliter la mise en marche par temps froid.

**Bouton de démarrage électrique (10) –** Sur les modèles à démarrage électrique, sert à démarrer le moteur.

**Boîte de contacteur (11) –** Sur les modèles à démarrage électrique, sert à brancher une rallonge électrique de 120 volts.

**Poignée de démarrage manuel (12) –** Sert à démarrer le moteur manuellement.

**Accélérateur (13) –** Contrôle la vitesse du moteur.

**Commande du starter (14) –** Sert à la mise en marche par temps froid.

### Commande du déversement de la neige



**DANGER : ne jamais diriger le déversement de la neige en direction des personnes environnantes.**



**DANGER : Toujours arrêter le moteur avant de déboucher le déversoir ou le carter de la fraise et avant de laisser le chasse-neige.**

1. (**Figure 2**) Tourner l'**ensemble vilebrequin (2)** pour changer la direction du déversement de la neige.
2. (**Figure 7**) Dévisser le **boulon à oreille (1)** situé sur le **défecteur de déversement (2)**.
3. Lever le **défecteur de déversement (2)** pour augmenter la distance ou l'abaisser pour raccourcir la distance.
4. Resserrer le **boulon à oreilles (1)**.

#### Arrêt du chasse-neige (**Figure 2**)

1. Pour stopper le déversement de la neige, relâcher le **levier d'entraînement de la fraise hélicoïdale (5)**.
2. Pour arrêter les roues, relâcher le **levier d'entraînement des roues (1)**.
3. Pour arrêter le moteur, pousser l'**accélérateur (13)** en position OFF et retirer la **clé de démarrage (8)**.

#### Avancer et reculer (**Figure 2**)

1. Pour modifier la vitesse au sol, relâcher d'abord le **levier d'entraînement des roues (1)**, puis changer la position de la **manette d'accélération (6)** à la vitesse désirée.
2. La vitesse au sol dépend des conditions d'enneigement. Sélectionner la vitesse en déplaçant la **manette d'accélération (6)** dans le cran désigné sur la plaque de l'accélérateur.
 

Vitesse 1, 2	Humide, lourde
Vitesse 3	Légère
Vitesse 4	Très légère
Vitesse 5, 6	Déplacement uniquement
3. Pour avancer, embrayer le **levier d'entraînement des roues (1)**. Garder une poigne ferme sur la poignée alors que le chasse-neige commence à avancer. Guider le chasse-neige en déplaçant la poignée vers la droite ou vers la gauche. Ne pas essayer de pousser le chasse-neige.
4. Pour reculer, relâcher le **levier d'entraînement des roues (1)**.
5. Mettre la **manette d'accélération (6)** soit en première vitesse ou seconde vitesse de la marche arrière.
6. Engager le **levier d'entraînement des roues (1)**.

**IMPORTANT** : ne pas déplacer la **manette d'accélération (6)** lorsque le **levier d'entraînement des roues (1)** est embrayé.

#### Déblaiement de la neige (**Figure 2**)

1. Embrayer le **levier d'entraînement de la fraise hélicoïdale (5)**.
2. Pour arrêter de déblayer la neige, relâcher le **levier d'entraînement de la fraise hélicoïdale (5)**.



**DANGER** : l'utilisation de tout **chasse-neige** peut causer la **projection de corps étrangers dans les yeux, ce qui peut laisser de sévères séquelles à la vision. Toujours porter des lunettes de protection ou une visière protectrice lors de l'utilisation du chasse-neige. Nous recommandons des lunettes de sécurité standard ou l'utilisation d'un masque de sécurité à vision élargie au dessus de vos lunettes.**

#### Utilisation de la goupille de blocage des roues (**Figure 8**)

1. La roue droite est attachée à l'axe au moyen d'une **goupille de blocage (1)**. Cette machine a été expédiée équipée de cette **goupille de blocage (1)** passée dans l'orifice de la roue en **position verrouillée (2)**.
2. Pour une meilleure manœuvrabilité dans des conditions de neige légère, mettre la **goupille de blocage (1)** en **position déverrouillée (3)**.
3. Déconnecter la **goupille de blocage (1)** de **position verrouillée (2)**. Enfoncer la **goupille de blocage (1)** uniquement dans l'orifice de l'axe non verrouillé. La machine est à présent en **position déverrouillée (3)** de traction à roue unique.

#### Avant de démarrer le moteur

1. Avant de démarrer ou de réparer le moteur, se familiariser avec le chasse-neige. Prendre soin de bien comprendre la fonction et l'emplacement de toutes les commandes.
2. Vérifier la tension du câble d'embrayage avant de démarrer le moteur. Voir "Réglage du câble d'embrayage" dans la section Entretien de ce manuel.
3. Veiller à ce que toutes les fixations soient serrées.
4. Veiller à ce que les patins de réglage de la hauteur soient correctement réglés. Voir "Réglage de la hauteur des patins" dans la section Entretien de ce manuel.
5. Vérifier la pression des pneumatiques. La pression correcte est de 14 PSI (1 BAR) à 17 PSI (1.25 BAR). Ne pas dépasser la pression maximale inscrite sur le flanc des pneumatiques.

#### Arrêt du moteur (**Figure 2**)

Pour arrêter le moteur, mettre la **manette d'accélération (3)** en position Arrêt et retirer la **clé de démarrage (8)**. Garder la **clé de démarrage (8)** en lieu sûr. Le moteur ne peut pas démarrer sans la **clé de démarrage (8)**.

#### Démarrage du moteur (**Figure 2**)

##### Modèles équipés d'un starter électrique

**REMARQUE** : Un kit de starter électrique peut être rajouté aux moteurs à démarrage manuel. Les kits de starter électrique sont disponibles dans votre centre de maintenance agréé le plus proche.



**DANGER** : Le starter est équipé d'une rallonge trifilaire conçue pour fonctionner avec du courant domestique de 120 volts A.C. La rallonge doit être mise à la terre en permanence afin d'éviter l'éventualité d'une électrocution pouvant blesser le conducteur. Suivre attentivement les instructions dans la section "Démarrage du moteur". Assurez-vous que le câblage électrique de votre maison est trifilaire avec prise de terre. En cas d'incertitude, consulter un électricien. Si le câblage électrique de votre maison n'est pas trifilaire avec prise de terre, ne pas utiliser ce starter électrique, en quelque circonstance que ce soit. Si votre système électrique est relié à la terre, mais qu'une prise trifilaire n'est pas disponible pour démarrer le moteur, faites-en installer une par un électricien agréementé. Pour brancher une rallonge de 120 volts A.C., toujours brancher d'abord la rallonge sur la prise de contact du moteur. Brancher ensuite l'autre bout de la rallonge dans la prise trifilaire. Pour débrancher la rallonge électrique, toujours débrancher d'abord le bout de la prise trifilaire reliée à la terre.

#### Démarrage à froid (**Figure 2**)

1. S'assurer que le moteur contient une quantité d'huile suffisante.
2. Remplir le réservoir avec de l'essence ordinaire sans plomb. Voir "Préparation du moteur".
3. Veiller à ce que le **levier d'entraînement des roues (1)** et le **levier d'entraînement de la fraise (5)** soient en position débrayée (relâchée).
4. Positionner la **manette d'accélération (13)** en position Rapide.
5. Engager la **clé de contact (8)** dans sa fente. S'assurer qu'elle est bien enclenchée. Ne pas tourner la **clé de contact (8)**. Retirer le double de la **clé de contact (8)** et la ranger en lieu sûr.
6. Mettre la **commande de starter (14)** en sa position maximale.
7. (**Démarrage électrique**) Brancher la rallonge électrique à la **prise de contact (11)** située sur le moteur.
8. (**Démarrage électrique**) Brancher l'autre bout de la rallonge électrique à une **prise trifilaire reliée à la terre de 120 volts A.C.** (Voir le paragraphe DANGER de cette section).
9. Appuyer sur le bouton d'**amorçage (9)**. Chaque fois que vous appuyez sur le **bouton d'amorçage (9)**, attendez deux secondes. Pour connaître le nombre de fois que l'on doit appuyer sur le **bouton d'amorçage (9)**, consulter les instructions données par le fabricant du moteur.
10. (**Démarrage électrique**) Appuyer sur le **bouton de démarrage électrique (10)** jusqu'à ce que le moteur démarre. Ne pas actionner le démarreur pendant plus de 10 secondes à chaque fois. Le démarreur électrique est doté d'une isolation thermique. S'il entre en surchauffe, il s'arrêtera automatiquement et ne pourra être redémarré qu'après avoir refroidi. Il est recommandé d'attendre de 5 à 10 minutes pour que le démarreur refroidisse.
11. (**Démarrage manuel**) Tirer rapidement sur la **corde du démarreur (12)**. Ne pas laisser la **corde du démarreur (12)** s'enrouler d'elle-même et la retenir pour qu'elle s'enroule lentement.

12. Si le moteur ne démarre toujours pas après 5 ou 6 essais, voir les instructions données dans le "Tableau des pannes".
13. (**Démarrage électrique**) Lorsque le moteur démarre, relâcher le bouton de **démarrage électrique (10)** et placer la **commande du starter (14)** à la moitié de sa position maximale. Lorsque le moteur tourne normalement, placer la **commande du starter (14)** en position fermée.
14. (**Démarrage électrique**) Débrancher la rallonge de la prise électrique trifilaire. Débrancher ensuite de la **prise de contact (11)**. **REMARQUE : à des températures inférieures à 0°F, laisser chauffer le moteur pendant quelques minutes avant de commencer à déneiger.**
15. Lorsque vous déneigez, faites toujours tourner le moteur avec la **manette d'accélération (13)** en position Rapide.



**DANGER : ne jamais faire fonctionner le moteur à l'intérieur d'un local ou dans un endroit mal ventilé. Les fumées d'échappement contiennent du monoxyde de carbone qui est un gaz inodore et mortel. Ne pas approcher les pieds, les mains les cheveux ou des vêtements lâches des pièces mobiles du moteur et du chasse-neige. Le silencieux et les pièces avoisinantes peuvent atteindre une température de 150°F. Ne pas les toucher.**

#### Démarrage d'un moteur à chaud (Figure 2)

Si le moteur est encore chaud d'une récente utilisation, tourner la **commande du starter (14)** en position "OFF" (arrêt). Ne pas appuyer sur le **bouton d'amorçage (9)**. Si le moteur ne démarre toujours pas, suivre les instructions dans "Démarrage d'un moteur froid".

**REMARQUE : ne pas utiliser le bouton d'amorçage (9) pour chauffer le moteur. Démarrage d'un moteur lorsque le démarreur électrique est gelé (Figure 2)**

Si le démarreur électrique est gelé et ne démarre pas le moteur, suivre les instructions ci-dessous.

1. Tirer la **corde du démarreur (12)** au maximum.
2. Relâcher rapidement la **corde du démarreur (12)**. Laisser la **corde du démarreur (12)** s'enrouler d'elle-même contre le démarreur manuel.

Si le moteur ne démarre toujours pas, répéter les deux étapes précédentes jusqu'à ce que le moteur démarre. Puis poursuivre les instructions données dans "Démarrage à froid".

Pour éviter que la corde de démarreur ainsi que les commandes du moteur ne gèlent, procéder comme suit après chaque séance de chasse-neige.

1. Alors que le moteur est encore en marche, tirer d'un coup sec et continu deux ou trois fois la **corde du démarreur (12)**. Cela produit un bruit métallique fort inoffensif pour le moteur ou pour le démarreur.

2. Arrêter le moteur. Essuyer toute trace de neige ou d'humidité du carter du carburateur, des leviers de commandes et des câbles. Agiter également plusieurs fois la **manette d'accélération (13)**, la **commande de starter (14)**, et la **corde du démarreur (12)**.

#### Nettoyage des traces de neige sur le châssis de la fraise hélicoïdale (Figure 2)



**DANGER : ne pas tenter de retirer de la neige ou des débris s'étant coincés dans le châssis de la fraise sans prendre les précautions suivantes.**

1. Débrayer le **levier d'entraînement de la fraise (5)**.
2. Mettre la **manette d'accélération (13)** en position d'arrêt.
3. Retirer (ne pas faire tourner) la **clé du démarreur (8)**.
4. Débrancher le fil de la bougie électrique.
5. Ne pas mettre vos mains dans le **châssis de la fraise (4)** ou dans le **déversoir (3)**. Utiliser un levier pour retirer neige et débris.

#### Conseils pour l'utilisation du chasse-neige

1. Pour obtenir le meilleur rendement du chasse-neige, régler la vitesse de déplacement, sans JAMAIS toucher au régime du moteur. Le moteur est prévu pour fonctionner au mieux à plein régime et doit toujours être maintenu au régime maximum. Dans la neige profonde, gelée, ou humide, la vitesse doit être réduite. Si les roues patinent, la vitesse doit également être réduite.
2. Les meilleurs résultats s'obtiennent lorsque le travail est effectué immédiatement après une chute de neige.
3. Faire légèrement chevaucher les différents passages du chasse-neige pour un déblayage complet de la neige.
4. Projeter la neige dans le sens du vent dans la mesure du possible.
5. Normalement, régler les patins à 1/8 pouce (3mm) sous le bord d'attaque. Dans de la neige très dure et tassée, les patins peuvent être réglés vers le haut de façon à ce que le bord d'attaque touche le sol.
6. Le gravier ne doit pas être pris par la vis sans fin et soufflé par la machine. Sur des surfaces de gravier, les patins doivent être réglés à 1-1/4 pouce (32mm) sous le bord d'attaque (Voir "Réglage de la hauteur des patins").
7. En fin de travail, laisser le moteur tourner au ralenti pendant quelques minutes pour faire fondre la neige et la glace accumulée sur le moteur.
8. Nettoyer la machine après chaque utilisation.
9. Éliminer la glace, la neige, et les débris de la machine entière. Rincer à l'eau pour éliminer sel et autres produits chimiques. Sécher la machine avec un chiffon.

## TABLEAU DE MAINTENANCE

## RESPONSABILITES DE L'ACHETEUR

REGISTRE DES OPERATIONS D'ENTRETIEN Complétez les dates au fur et à mesure des opérations d'entretien régulier effectuées.	Avant chaque utilisation	2 premières heures	Toutes les 5 heures	Toutes les 10 heures	Toutes les 25 heures	Chaque saison	Avant remisage	DATES DES OPERATIONS D'ENTRETIEN
Vérification du niveau d'huile	√		√			√		
Vidange de l'huile du moteur					√	√		
Vérification et serrage de tous les boulons et écrous	√					√		
Vérification de la bougie d'allumage					√	√		
Réglage de la courroie d'entraînement		√			√	√		
Vérification du niveau d'essence	√							
Vidage de l'essence							√	
Vérification du câble d'embrayage de la fraise (voir Réglage des câbles)		√				√		
Vérification du câble d'embrayage des roues (voir Réglage des câbles)		√				√		
Lubrification de tous les points d'articulation				√			√	
Lubrification de l'axe de la fraise hélicoïdale (voir Remplacement du boulon de cisaillement)				√			√	
Lubrification des chaînes d'entraînement et des pignons				√			√	

## ENTRETIEN

## REMARQUE : les illustrations apparaissent à la page 3.

Utiliser la section Entretien suivante pour maintenir votre machine en bonne condition de fonctionnement. Toutes les informations concernant le moteur figurent dans le guide du fabricant du moteur. Lisez ce guide avant de démarrer le moteur.



**DANGER : avant d'effectuer toute inspection, tout réglage (sauf celui du carburateur), ou toute réparation, débrancher le fil de la bougie d'allumage.**

## Recommandation d'ordre général

La garantie de ce chasse-neige ne couvre pas les pièces ayant fait l'objet d'abus ou de négligence de la part de l'utilisateur. Pour bénéficier entièrement de la garantie, l'utilisateur doit entretenir le chasse-neige comme indiqué dans ce manuel.

Certains réglages doivent être effectués régulièrement afin de maintenir le chasse-neige en bon état.

## Après chaque utilisation

- Détecter toute pièce desserrée ou endommagée.
- Resserrer toute fixation desserrée.
- Vérifier et entretenir la fraise.

F-041002L

- Contrôler les commandes pour vérifier si elles fonctionnent toutes correctement.
  - Remplacer immédiatement toute pièce usée ou endommagée.
- Tous les réglages figurant dans la section **Entretien** de ce manuel doivent être vérifiés au moins une fois par saison.

## Obligatoire

Les réglages suivants doivent être vérifiés plus d'une fois par saison.

1. Régler la courroie d'entraînement de la fraise après les 2 ou 4 premières heures d'utilisation, une seconde fois au milieu de la saison, et deux fois à chaque saison suivante. Voir "Réglage de la courroie d'entraînement de la fraise" dans la section **Entretien**.

## Lubrification

## Toutes les 10 heures (Figure 9)

1. Lubrifier les **embouts graisseurs Zerk (1)** toutes les dix heures avec un pistolet à graisse.
2. A chaque remplacement d'une vis de cisaillement, l'axe de la fraise doit également être graissé.
3. Lubrifier toutes les articulations.

## Toutes les 25 heures

## Chute Rotation Gear

(Figure 4) Lubricate the **chute rotation gear (1)** with automotive type oil.

## Chains

1. (Figure 2) Mettre la **manette d'accélération (6)** en première vitesse.
2. Vider l'essence du réservoir. Placer le chasse-neige verticalement sur l'avant du **carter de la fraise (4)**.



**DANGER : vider l'essence à l'extérieur, à l'écart de toute source de flammes ou de feu.**

3. (Figure 17) Dévisser les **boulons (1)** de chaque côté du **panneau ventral (2)**.
4. Retirer le **panneau ventral (2)**.
5. (Figure 10) Graisser les **chaînes (5)** à l'aide d'un lubrifiant pour chaînes.
6. Frotter l'**arbre hexagonal et les pignons (6)** avec de l'huile moteur 5W30.

**REMARQUE: si de la graisse ou de l'huile entre en contact avec le plateau d'entraînement du disque (1) ou le disque de friction (3), des dommages peuvent en résulter. Eliminer toute trace d'huile ou de graisse à l'aide d'un solvant à base d'alcool.**

7. (Figure 17) Monter le **panneau ventral (2)**.
8. Resserrer les boulons (3) de chaque côté du **panneau ventral (2)**.

## Pièces à ne pas lubrifier (Figure 10)

1. Ne pas graisser l'**arbre hexagonal** et le **pignon (6)**. Toutes les bagues et les roulements sont lubrifiés à vie. Pour le remisage, verser une légère quantité d'huile moteur 5W-30 sur un chiffon et essuyer l'**arbre hexagonal et le pignon (6)** afin d'éviter la rouille.

- Si la graisse entre en contact avec le **disque de friction de caoutchouc (3)** ou le **plateau d'entraînement du disque (1)**, le **disque de friction de caoutchouc (3)** peut être endommagé. Veiller à bien nettoyer le **disque de friction de caoutchouc (3)** et le **plateau d'entraînement du disque (1)**.  
**ATTENTION : tout huilage ou graissage des composants mentionnés ci-dessus peut atteindre le disque de friction de caoutchouc (3). Si le disque de friction de caoutchouc (3) ou le plateau d'entraînement du disque (1) sont souillés de graisse ou d'huile, le disque de friction en sera endommagé.**
- La boîte de vitesse de la fraise a été lubrifiée lors de la fabrication et ne requiert pas de graissage supplémentaire. Si pour quelque raison le lubrifiant de la boîte se met à fuir, faites vérifier la boîte par un centre de maintenance agréé.
- Desserrer les boulons et les écrous fixant le **bord d'attaque (15)** au **carter de la fraise (4)**.
- Régler le **bord d'attaque (15)** de façon à placer le **bord d'attaque (15)** à 1/8 pouce (3 mm) au-dessus de la surface à déneiger.
- Resserrer les boulons et les écrous en s'assurant que le **bord d'attaque (15)** est parallèle au trottoir ou à la surface à déneiger.
- Pour en prolonger l'utilisation du **bord d'attaque (15)**, démonter le **bord d'attaque (15)** et inverser le sens de montage.


### Vérification et réglage des câbles

Le câble d'entraînement des roues et le câble d'entraînement de la fraise hélicoïdale sont réglés dans l'usine de fabrication. En usage normal, un câble peut se détendre et doit être vérifié et réglé comme suit.

### Vérification des câbles (Figure 11)

- Pousser le **levier d'entraînement (2)** complètement vers l'avant.
- Le câble de commande est correctement réglé si le **crochet en "Z" (1)** est aligné (4) avec le trou du **levier d'entraînement (2)** et que le câble ne présente pas d'affaissement.


### Réglage du câble d'entraînement de la fraise hélicoïdale

- Vider l'essence du réservoir. Mettre le chasse-neige debout sur l'avant du carter de la fraise.
-  **DANGER : vider l'essence à l'extérieur et à l'écart de toute source de flammes ou de feu.**
- (Figure 11) Détacher le **crochet en "Z" (1)** du **levier d'entraînement (2)**.
- (Figure 12) Relever le couvercle du ressort de façon à exposer le **ressort (5)**. Pousser le **câble (6)** dans le **ressort (5)** pour exposer l'**extrémité carrée (7)** du **câble (6)**.
- Tenir l'**extrémité carrée (7)** avec des pinces et tourner l'**écrou (8)** dans un sens ou dans l'autre jusqu'à ce que l'affaissement du câble disparaisse.
- Tirer le câble (6) dans le ressort (5) et le remonter.
- (Figure 11) Rattacher le **crochet en "Z" (1)** au **levier d'entraînement (2)**.

**REMARQUE : lors du réglage ou du remplacement de la courroie d'entraînement de la fraise hélicoïdale, vérifier et régler le câble.**

### Réglage du câble d'entraînement

- Retirer le carburant du réservoir d'essence. Positionner le chasse-neige debout sur la face avant du carter de la fraise.

 **DANGER : vider l'essence à l'extérieur, à l'écart de toute source de flammes ou de feu.**

- (Figure 17) Desserrer les **boulons (3)** sur chaque côté du **panneau ventral (2)**.
- Retirer le **panneau ventral (2)**.
- (Figure 11) Détacher le **crochet en "Z" (1)** du **levier d'entraînement de la fraise (2)**.
- (Figure 23) Faire glisser la **gaine du câble (3)** de l'**attache de réglage du câble (4)**.

- Enfoncer la base du **câble de commande de la fraise (5)** dans l'**attache de réglage du câble (4)** jusqu'à ce que le **crochet en "Z" (6)** puisse être enlevé.
- Retirer le **crochet en "Z" (6)** de l'**attache de réglage du câble (4)**. Placer le **crochet en "Z" (6)** dans le trou de réglage situé immédiatement au-dessous.
- Tirer le **câble de commande de la fraise (5)** vers le haut au travers de l'**attache de réglage du câble (4)**.
- Replacer la **gaine du câble (3)** sur l'**attache de réglage du câble (4)**.
- (Figure 11) Accrocher le **crochet en "Z" (1)** au **levier d'entraînement de la fraise (2)**.
- (Figure 10) Pour vérifier le réglage, abaisser le levier d'entraînement et vérifier la **longueur "A" du ressort du câble d'entraînement (7)**. Lorsque le réglage est correct, la **longueur "A" du ressort du câble d'entraînement (7)** doit être la suivante :  
minimum 3 pouces (76 mm.)  
maximum 3 pouces et 3/8 (85 mm.).
- (Figure 17) Remonter le **panneau ventral (2)**.
- Serrer les **boulons (3)** sur chaque côté du **panneau ventral (2)**.

### Réglage des courroies

Les courroies s'étirent en usage normal. Si des réglages deviennent nécessaires en raison de l'usure ou de l'étirement, procéder comme suit.

### Réglage de la courroie d'entraînement de la fraise hélicoïdale

Si le chasse-neige n'éjecte pas la neige, vérifier le réglage du câble d'entraînement de la fraise. Voir "Vérification et réglage des câbles" dans la section Entretien. Si le réglage est correct, vérifier l'état de la courroie d'entraînement de la fraise. Si celle-ci est endommagée ou lâche, la remplacer (voir "Remplacement des courroies" dans la section Entretien. Si la courroie est détendue, la régler comme suit.

- Débrancher le fil de la bougie d'allumage.
- (Figure 13) Retirer la **vis (2)** du **carter de la courroie (1)**. Retirer la **carter de la courroie (1)**.
- (Figure 14) Desserrer l'**écrou (2)** sur la **poulie libre (3)** et pousser la **poulie libre (3)** vers la **courroie d'entraînement de la fraise (4)** d'environ 1/8 pouce (3 mm).
- Resserrer les **écrous (2)**.
- (Figure 16) Débrayer le levier d'entraînement de la fraise. Vérifier la tension de la **courroie d'entraînement de la fraise (4)**. La **courroie de la fraise (4)** doit normalement fléchir d'environ 1/2 pouce (12,5 mm) (5) sous une pression moyenne. Si la tension n'est pas appropriée, répéter l'opération de réglage.
- (Figure 13) Remonter le **couvercle de la courroie (1)**. Resserrer la **vis (2)**.
- Vérifier le réglage du **câble d'entraînement de la fraise**. Voir "Vérification et réglage des câbles" dans la section Entretien de ce manuel.
- Rebrancher le fil de la bougie.

### Courroie d'entraînement des roues


La courroie d'entraînement des roues est soumise à la pression constante d'un ressort et n'exige aucun réglage. Si la courroie d'entraînement

### Réglage de la hauteur des patins (Figure 2)

Ce chasse-neige est équipé de deux **patins de réglage de hauteur (7)**. Ces patins servent à élever l'avant du chasse-neige. Sur surfaces dures normales telles que les voies de garage et les trottoirs, régler les patins comme suit.

- Placer le chasse-neige sur une surface plane.
- Veiller à ce que les deux pneumatiques soient de pression égale. La pression correcte s'échelonne de 14 PSI (1 BAR) à 17 PSI (1,25 BAR). Ne pas excéder la pression maximale indiquée sur le flanc du pneumatique.
- Placer les boulons de cisaillement supplémentaires (**fournis dans le sac de pièces**) au-dessus de chaque bout du **bord d'attaque (15)** attachant aux **patins de réglage (7)**.
- Dévisser les **écrous de montage (16)** maintenant les **patins de réglage (7)**. Pour abaisser l'avant du chasse-neige, lever chacun des **patins de réglage (7)**. Resserrer les **écrous de montage (16)**.

**REMARQUE : sur surfaces graveleuses ou inégales, lever l'avant du chasse-neige en abaissant les patins de réglage (7).**

 **DANGER : Toujours maintenir une garde au sol appropriée en fonction de la surface de travail. Des objets comme du gravier, des pierres et d'autres débris peuvent être pris par l'impulseur et projetés avec une force suffisante pour provoquer des blessures ou des dégâts sur le chasse-neige.**

### Réglage du bord d'attaque (Figure 2)

Après une longue utilisation, le **bord d'attaque (15)** s'use. Le **bord d'attaque (15)** et les patins doivent toujours être réglés pour placer le **bord d'attaque (15)** à 1/8 pouce (3 mm) au-dessus de la surface à déneiger.

- Placer le chasse-neige sur une surface plane.
- Veiller à ce que les deux pneumatiques soient de pression égale. La pression correcte s'échelonne de 14 PSI (1 BAR) à 17 PSI (1,25 BAR). Ne pas excéder la pression maximale indiquée sur le flanc du pneumatique.

des roues patine, remplacer la courroie. Voir "Remplacement des courroies" dans la section Entretien de ce manuel.

### Remplacement des courroies

Les courroies d'entraînement sont de construction adaptée et doivent être remplacées par des courroies d'origine disponibles dans votre centre de maintenance agréé le plus proche.

Certaines étapes requièrent l'assistance d'une seconde personne.

### Démonte de la courroie d'entraînement de la fraise hélicoïdale

Si la courroie d'entraînement de la fraise est endommagée, le chasse-neige ne déverse pas de neige. Remplacer la courroie endommagée comme suit.

- Débrancher le fil de la bougie.
- (Figure 17) Desserrer les **boulons (3)** sur chaque côté du **panneau ventral (2)**.
- Retirer le **panneau ventral (2)**.
- (Figure 13) Retirer la **vis (2)** du **carter de la courroie (1)**. Déposer le **carter de la courroie (1)**.
- (Figure 14) Desserrer le **guide de courroie (9)**. Ecarter le **guide de courroie (9)** de la **poulie d'entraînement de la fraise (10)**.
- Séparer la **poulie libre (3)** de la **courroie d'entraînement de la fraise (4)** et glisser la **courroie d'entraînement de la fraise (4)** hors de la **poulie libre (3)**.
- Retirer la **courroie d'entraînement de la fraise (4)** de la **poulie motrice (11)**. Pour retirer la **courroie d'entraînement de la fraise (4)**, il peut être nécessaire de tourner légèrement la **poulie motrice (11)**.
- (Figure 15) Retirer les quatre **boulons (21)** supérieurs fixant le **carter de la fraise (22)** au **boîtier du moteur (23)**. Desserrer les deux **boulons (24)** inférieurs. Le **carter de la fraise (22)** et le **boîtier du moteur (23)** peuvent à présent être séparés pour permettre le retrait de la courroie.
- (Figure 14) Retirer l'ancienne **courroie d'entraînement de la fraise (4)** de la **poulie d'entraînement de la fraise (10)**. Remplacer la **courroie d'entraînement de la fraise (4)** par une courroie d'origine disponible dans votre centre de maintenance agréé le plus proche.
- Monter la nouvelle **courroie d'entraînement de la fraise (4)** sur la **poulie d'entraînement de la fraise (10)**.  
**REMARQUE :** Pour monter le **carter de la fraise (22)** sur le **boîtier du moteur (23)**, une seconde personne doit maintenir le levier d'embrayage de la fraise en position ENGAGÉE. Cela a pour effet de déplacer la **poulie libre et son bras (3)** suffisamment pour permettre à la **poulie d'entraînement de la fraise (10)** de reprendre sa position initiale.
- Monter le **carter de la fraise (22)** sur le **boîtier du moteur (23)** à l'aide des quatre **boulons (21)** retirés à l'étape 8. Serrer les deux **boulons (24)** inférieurs.
- Installer la **courroie d'entraînement de la fraise (4)** sur la **poulie motrice (11)**.
- Glisser la **courroie d'entraînement de la fraise (4)** sous la **poulie libre (3)**.

- Régler la **courroie d'entraînement de la fraise (4)**. Voir "Réglage de la courroie d'entraînement de la fraise" dans la section Entretien.
- Régler le **guide de courroie (9)**. Voir "Réglage du guide de courroie" dans la section Entretien.
- (Figure 13) Monter le **carter de courroie (1)**. Serrer la **vis (2)**.
- Vérifier le réglage des câbles. Voir "Vérification du réglage des câbles" dans la section Entretien.
- (Figure 17) Remonter le **panneau ventral (2)**.
- Serrer les **boulons (3)** sur chaque côté du **panneau ventral (2)**.
- Rebrancher le fil de la bougie.

### Démontage de la courroie d'entraînement des roues.

Si le chasse-neige n'avance pas, vérifier la courroie d'entraînement des roues pour détecter tout dommage ou toute usure. Si celle-ci est endommagée ou usée, la remplacer comme suit.

- Débrancher le fil de la bougie.
- Retirer la courroie d'entraînement de la fraise. Voir "Démontage de la courroie d'entraînement de la fraise" dans la section Entretien.
- (Figure 14) Retirer la **bague de retenue (17)** de la **bielle d'axe de la plaque de roulement (18)**. Retirer la **bielle d'axe de la plaque de roulement (18)** pour permettre à la plaque de roulement de tourner en avant.
- Retirer le **ressort du câble de traction (16)**.
- Dégager la **courroie d'entraînement des roues (13)** de la **poulie d'entraînement des roues (14)** et de la **poulie motrice (15)**. Remplacer la **courroie d'entraînement des roues (13)** par une courroie d'origine disponible dans votre centre de maintenance agréé le plus proche.
- Monter la nouvelle **courroie d'entraînement des roues (13)** sur la **poulie d'entraînement des roues (14)** et sur la **poulie motrice (15)**.
- Veiller à ce que la **poulie libre d'entraînement des roues (12)** soit correctement alignée avec la **courroie d'entraînement des roues (13)**.
- Attacher le **ressort du câble de traction (16)**.
- Monter la **bielle d'axe de la plaque de roulement (18)** et la verrouiller à l'aide de la **bague de retenue (17)** enlevée auparavant.
- (Figure 26) La base de la **plaque de roulement (20)** doit être positionnée entre les **encoches d'alignement (19)**. S'assurer que la **plaque de roulement (20)** est correctement fixée.  
**REMARQUE :** si l'entraînement des roues ne fonctionne pas à la suite du remplacement de la courroie d'entraînement, vérifier que la **plaque de roulement est bien positionnée entre les encoches d'alignement (19)**.
- (Figure 14) Monter et régler la **courroie d'entraînement de la fraise (4)**. Voir "Démontage de la courroie d'entraînement de la fraise" dans la section Entretien.

- Régler le **guide de courroie (9)**. Voir "Réglage du guide de courroie" dans la section Entretien.
- (Figure 17) Remonter le **panneau ventral (2)**.
- Serrer les **boulons (3)** sur chaque côté du **panneau ventral (2)**.
- (Figure 13) Monter le **carter de courroie (1)**. Serrer la **vis (2)**.
- Vérifier le réglage des câbles. Voir "Vérification du réglage des câbles" dans la section Entretien.
- Brancher le fil de la bougie.

### Réglage du guide de courroie

- Débrancher le fil de la bougie.
- (Figure 13) Retirer la **vis (2)**. Déposer le **carter de la courroie (1)**.
- (Figure 2) Embrayer le **levier d'entraînement de la fraise (5)**.
- (Figure 18) Mesurer la distance entre le **guide de courroie (2)** et la **courroie d'entraînement de la fraise (3)**. La **distance correcte (4)** doit être de 1/8 pouce (3.175mm).
- Si un réglage est nécessaire, desserrer les boulons de montage du **guide de courroie (2)** et placer le **guide de courroie (2)** en position correcte (4). Resserrer ensuite les boulons du **guide de courroie (2)**.
- (Figure 13) Monter le **carter de courroie (1)**. Serrer la **vis (2)**.
- Rebrancher le fil de la bougie.

### Réglage ou remplacement du disque de friction

#### Vérification du disque de friction

Si le chasse-neige n'avance pas, vérifier la courroie d'entraînement des roues, le câble d'entraînement des roues, ou le disque de friction. Si le disque de friction est endommagé ou usé, il faut le remplacer. Voir "Remplacement du disque de friction" dans cette section. Si le disque de friction n'est pas endommagé ni usé, le vérifier comme suit.

- (Figure 2) Vider l'essence du réservoir. Mettre le chasse-neige debout sur l'avant du **carter de la fraise (4)**.



**DANGER :** vider l'essence à l'extérieur et à l'écart de toute source de flammes ou de feu.

- Débrancher le fil de la bougie.
- (Figure 17) Desserrer les **boulons (3)** sur chaque côté du **panneau ventral (2)**.
- Retirer le **panneau ventral (2)**.
- (Figure 2) Mettre la **manette d'accélération (6)** à la plus haute vitesse de la plus basse.
- (Figure 19) Noter la position de la **roue de friction (4)**. La **distance "A"** correcte entre le côté droit de la **roue de friction (4)** et l'extérieur du **carter du moteur** est la suivante:  

Taille du pneu	Distance "A"
12 et 13 pouces	4-1/8" (10,5 cm.)
16 pouces	4- 5/16" (10,95 cm.)

 Si la **roue de friction (4)** n'est pas en position correcte, effectuer le réglage décrit ci-dessous.

#### Réglage du disque de friction

- (Figure 2) Positionner le **levier de vitesse (6)** sur la plus basse vitesse de la marche avant.

2. (Figure 20) Resserrer les **boulons (1)** de la **tringle du sélecteur de vitesse (8)**.
3. (Figure 19) Placer le **disque de friction (4)** en position correcte.
4. (Figure 20) Revisser les **boulons (1)** de la **tringle du sélecteur de vitesse (8)**.
5. (Figure 17) Remonter le **panneau ventral (2)**.
6. Serrer les **boulons (3)** de chaque côté du **panneau ventral (2)**.

### Remplacement du disque de friction

Le chasse-neige n'avance pas si le disque de friction est usé ou endommagé. Le disque de friction doit être remplacé comme suit.

1. (Figure 2) Vider l'essence du réservoir. Mettre le chasse-neige debout sur l'avant du **carter de la fraise (4)**.



**DANGER : vider l'essence à l'extérieur, à l'écart de toute source de flammes ou de feu.**

2. Débrancher le fil de la bougie.
3. (Figure 24) Retirer toutes les fixations attachant la **roue gauche (10)**. Enlever la **roue gauche (10)** de l'**axe (11)**.
4. Désserrer les **boulons (3)** de chaque côté du **panneau ventral (2)**.
5. Retirer le **panneau ventral (2)**.
6. (Figure 25) Retirer toutes les fixations attachant le **pignon d'entraînement (12)** à l'**axe (11)**.
7. Retirer la roue droite, l'**axe (11)**, et le **pignon d'entraînement (12)**.
8. (Figure 26) Retirer les quatre **boulons (16)** maintenant les **roulements (7)** de chaque côté de l'**arbre hexagonal (8)**.
9. (Figure 27) Retirer l'**arbre hexagonal (8)** et les **roulements (7)**.

**REMARQUE : bien se rappeler de la position des rondelles (17).**

10. (Figure 21) Retirer les trois **fixations (4)** attachant le **disque de friction (5)** au **moyeu (6)**.
11. (Figure 21) Retirer le **disque de friction (5)** du **moyeu (6)**. Faire glisser le **disque de friction (5)** de l'**arbre hexagonal (8)**.
12. Monter le nouveau **disque de friction (5)** sur le **moyeu (6)** à l'aide des fixations retirées plus tôt.
13. (Figure 27) Installer l'**arbre hexagonal (8)** et les **roulements (7)** à l'aide des quatre boulons enlevés auparavant.  
**Veiller à ce que les rondelles (17) soient correctement installées dans leur position d'origine. Veuillez également vous assurer que les deux rondelles (13) sont correctement alignées avec les bras de commande (14).**
14. Veiller à ce que l'**arbre hexagonal (8)** puisse tourner librement.
15. (Figure 25) Installer la roue droite, l'**axe (11)**, et le **pignon d'entraînement (12)** à l'aide des fixations retirées auparavant. Installer la **chaîne (15)** sur le **pignon d'entraînement (12)**.
16. (Figure 20) Attacher la **tringle du sélecteur de vitesse (8)** au **levier à ressort (9)**.

17. Vérifier le réglage du disque de friction. Voir "Réglage du disque de friction" dans cette section.
18. Veiller à ce que le disque de friction et le plateau d'entraînement du disque soient dépourvus d'huile ou de graisse.
19. (Figure 17) Remonter le **panneau ventral (2)**.
20. Resserrer les **boulons (3)** de chaque côté du **panneau ventral (2)**.
21. (Figure 24) Installer la **roue gauche (10)** sur l'**axe (11)** à l'aide des fixations retirées auparavant.
22. Rebrancher le fil de la bougie.

### Remplacement d'un boulons de cisaillement de la fraise hélicoïdale

Les fraises hélicoïdales sont fixées à l'arbre par des boulons de cisaillement spéciaux qui sont prévus pour casser si un objet se coince dans le carter de la fraise. Ne pas utiliser un boulon plus dur car ceci supprimera la protection du boulon de cisaillement.



**DANGER : Pour garantir la sécurité et la protection de la machine, seuls des boulons de cisaillement d'origine doivent être utilisés pour leur remplacement.**

Pour remplacer un boulon de cisaillement cassé, procéder comme suit. Des boulons de cisaillement de rechange sont fournis dans le sac de pièces pour le montage.

1. (Figure 2) Placer la **manette d'accélération (13)** à la position d'arrêt. Débrayer toutes les commandes.
2. Débrancher le fil de la bougie et s'assurer que toutes les pièces sont arrêtées.
3. (Figure 9) Graisser les **embouts graisseurs Zerk (1)** de l'arbre de la fraise, si celui-ci en est équipé, à l'aide d'un pistolet graisseur.
4. (Figure 22) Aligner le trou de la fraise avec le trou de son arbre. Monter le **boulon de cisaillement neuf (2)**, l'**entretoise (3)** et l'**écrou de blocage (4)**.
5. Rebrancher le fil de la bougie.

### Préparation du chasse-neige pour le remisage



**DANGER : ne pas retirer l'essence à l'intérieur d'un bâtiment, près d'un feu, ou en fumant une cigarette. Les gaz émis par l'essence peuvent provoquer une explosion ou un incendie.**

1. Vider le réservoir d'essence.
2. Faire tourner le moteur jusqu'à ce qu'il tombe en panne sèche.
3. Vidanger l'huile du moteur encore chaud. Remplir le bloc-cylindre d'huile neuve.
4. Retirer la bougie du cylindre. Verser une once d'huile dans le cylindre. Tirer lentement la poignée de la corde de démarrage manuel pour que l'huile protège le cylindre. Placer une nouvelle bougie sur le cylindre.
5. Nettoyer complètement le chasse-neige.
6. Graisser tous les points de graissage (voir la section Entretien).

7. S'assurer que tous les écrous, boulons et vis sont fermement serrés. Vérifier toutes les pièces mobiles pour détecter les indices de dégâts et d'usure. Remplacer les pièces au besoin.
8. Couvrir les pièces de métal du carter de la fraise hélicoïdale et de l'impulseur d'un produit antirouille.
9. Placer la machine dans un bâtiment bien ventilé.
10. Si la machine doit être remise à l'extérieur, la monter sur des cales pour qu'elle ne repose pas au sol.
11. Couvrir ensuite le chasse-neige à l'aide d'une bâche épaisse ne retenant pas l'humidité. Ne pas utiliser une bâche de matière plastique.

### Remplacement des pièces détachées

Le remplacement de pièces détachées est montré soit au dos de ce manuel, soit dans un manuel séparé de pièces de rechange.

Il est vivement recommandé de n'utiliser que des pièces autorisées par le fabricant ou approuvées. La lettre placée à la fin du numéro de la pièce vous signale le type d'affinage pour la pièce, C pour le chrome, Z pour le zinc, PA pour une pièce achetée. Il est important de le joindre lors de la commande d'une pièce. Ne pas utiliser de pièces tractées ou d'accessoires non spécifiquement prévus pour la chasse-neige. Pour obtenir la pièce de remplacement adéquate, il vous faut fournir le numéro du modèle de la chasse-neige (Cf. plaque indicatrice).

Les pièces de rechange, à l'exception faite du moteur, des transmissions, de la boîte-pont ou du différentiel, sont disponibles depuis le magasin d'où la chasse-neige a été achetée, bien dans un atelier de service recommandé ou auprès d'un distributeur régional de pièces Murray, Inc. dont la liste figure à la fin de ce manuel.

Si vous ne pouvez pas vous procurer les pièces ou ne connaissez personne pour dépanner ou veiller à l'entretien de la chasse-neige, veuillez contacter :

**USA – MURRAY, INC.**  
Outdoor Power Equipment  
Customer Service Department  
P.O. Box 268  
Brentwood, Tennessee 37027  
1-800-251-8007

**CANADA – MURRAY CANADA, INC.**  
Factory Customer Service  
1195 Courtneypark Drive East  
Mississauga, Ont. L5T-1R1  
1-800-661-6662 Les appels en PCV ne seront pas acceptés.

Le remplacement des pièces comme le moteur, les transmissions, la boîte-pont ou le différentiel, sont disponibles depuis un service autorisé par le fabricant, dont l'adresse peut être trouvée dans les Pages jaunes. Par ailleurs, vous pouvez vous appuyer sur les garanties s'appliquant au moteur ou aux transmissions pour commander les pièces de rechange. Lors de la commande, vous devrez fournir les informations suivantes :

- (1) Le numéro du modèle
- (2) Le numéro de série
- (3) Le numéro de la pièce
- (4) La quantité

## TABLEAU DE DEPANNAGE

PANNE	CAUSE	REPARATION
Démarrage difficile	Bougie défective.	Remplacer la bougie.
	Eau ou impuretés dans le système de distribution du carburant.	Utiliser le drain de carburateur pour évacuer les impuretés et remplir avec de l'essence neuve.
Le moteur tourne de manière irrégulière	Conduit de carburant bouché, réservoir d'essence vide, ou essence périmée	Nettoyer le conduit de carburant ; vérifier l'arrivée du carburant ; ajouter de l'essence neuve.
Le moteur cale	Machine fonctionnant avec le STARTER ouvert.	Mettre le levier de starter en position de MARCHE.
Le moteur tourne de manière irrégulière; Perte de puissance	Eau ou impuretés dans le système de distribution du carburant.	Utiliser le drain de carburateur pour évacuer les impuretés et remplir avec de l'essence neuve.
Vibration excessive	pièces dévissées : impulseur endommagé	Arrêter le moteur immédiatement et débrancher la bougie. Serrer tous les boulons et effectuer les réparations nécessaires. Si la vibration persiste, porter la machine à une personne qualifiée pour la réparer.
La machine ne se propulse pas automatiquement	Courroie d'entraînement lâche ou endommagée.	Remplacer la courroie d'entraînement.
	Réglage incorrecte du câble d'entraînement des roues.	Régler le câble d'entraînement des roues.
	Disque de friction usagé ou endommagé.	Remplacer le disque de friction.
La machine n'éjecte pas de neige	Courroie d'entraînement de la fraise lâche ou endommagée.	Régler la courroie d'entraînement de la fraise ; la remplacer si elle est endommagée.
	Câble de commande de la fraise non réglé correctement.	Régler le câble de commande de la fraise.
	Boulon de cisaillement cassé	Remplacer le boulon de cisaillement.
	Déversoir bouché.	Arrêter immédiatement le moteur et débrancher le cordon de la bougie. Nettoyer le déversoir et l'intérieur du carter de la fraise.
	Corps étranger coincé dans la fraise.	Arrêter immédiatement le moteur et débrancher le cordon de la bougie. Retirer le corps étranger coincé dans la fraise.

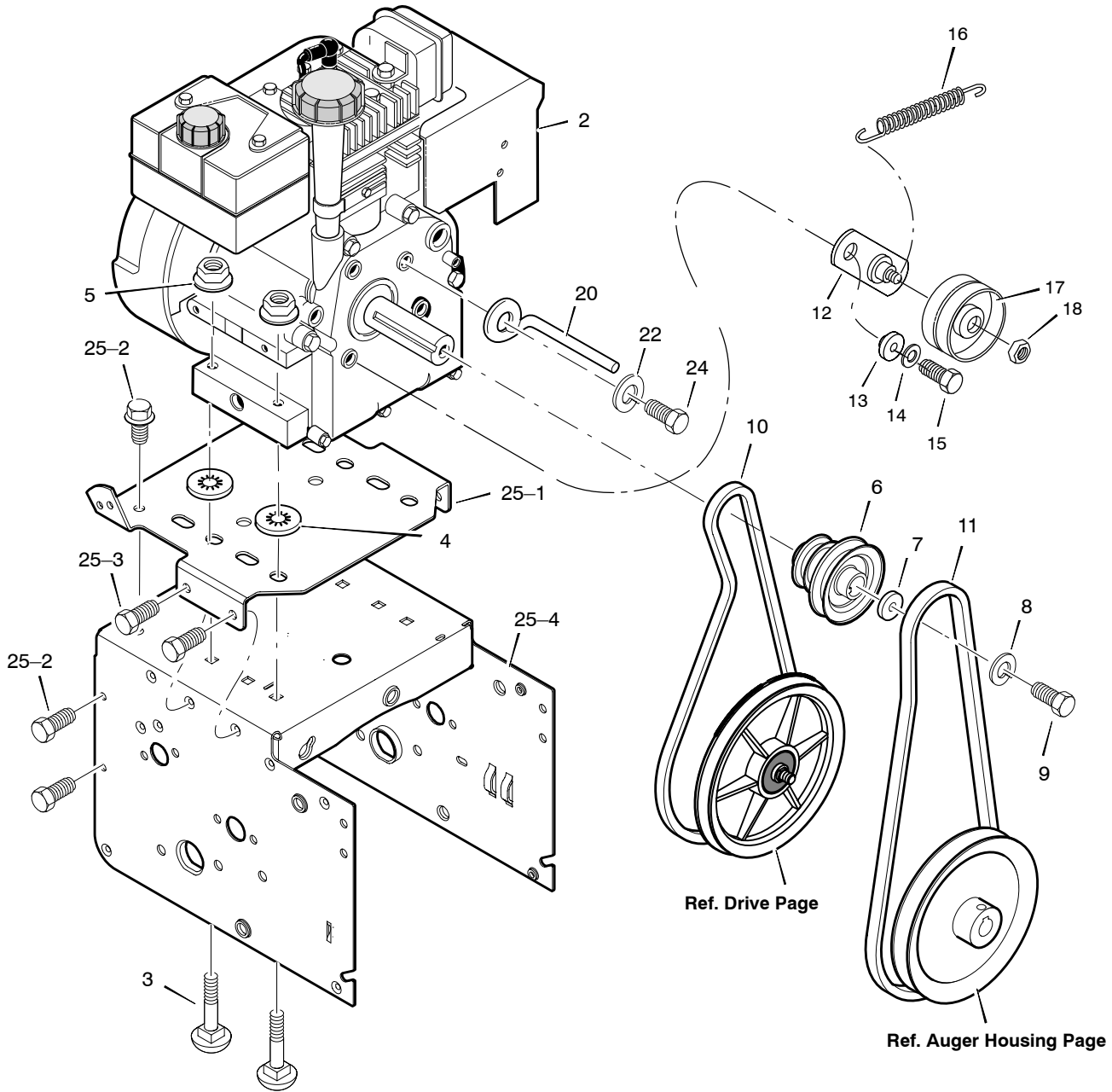


# ***Parts List*** - Model 622505x4B

# ***Liste de pièces*** - Modèle 622505x4B

# MODEL 622505x4B

# REPAIR PARTS ENGINE



Ref. Drive Page

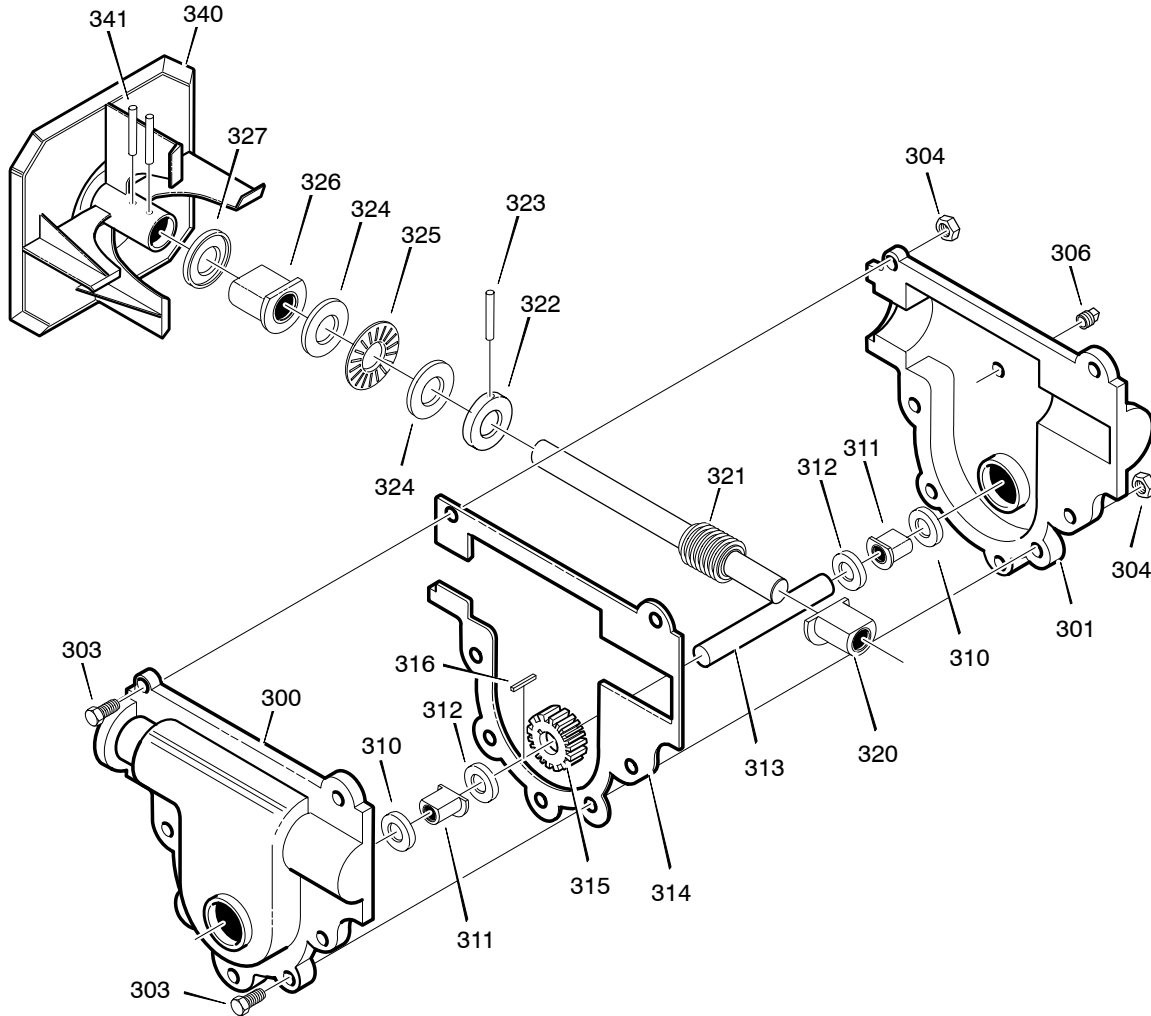
Ref. Auger Housing Page

Key No.	Part No.	Description	Key No.	Part No.	Description
2	*	ENGINE *	15	710097	SCREW 5/16-24 X 0.75
3	002x97	BOLT, CARRIAGE 5/16-18	16	53704	SPRING, IDLER TRACTION DRIVE
4	028x76	RETAINER, PUSH	17	50793	PULLEY, IDLER
5	710026	NUT 5/16-18	18	590	NUT, JAM 3/8-16
6	1501109	PULLEY, ENGINE	20	1501201	GUIDE, BELT
7	710247	WASHER	22	71060	WASHER .31X.58X.08
8	71063	WASHER .38ID	24	710097	SCREW, 5/16-24X .75
9	71015	SCREW, 3/8-24X1.00	25	—	FRAME, MOTORBOX (5-11HP)
10	579932	BELT, DRIVE V3L	25-1	1501062E245	PLATE, ENGINE MOUNT
11	37x120	BELT, AUGER V4L	25-2	310169	SCREW, TAP 1/4-20 X .63
12	1501112 YZ	BRACKET ASSEMBLY, IDLER	25-3	25x020	SCREW, TAP 5/16-18 X .50
13	1501065	BUSHING, IDLER BRACKET	25-4	1501049E245	FRAME, MOTOR BOX
14	71060	WASHER, SPLIT	—	F-041002L	OWNER'S MANUAL

\* For information on Replacement Parts for this engine contact the manufacturer.

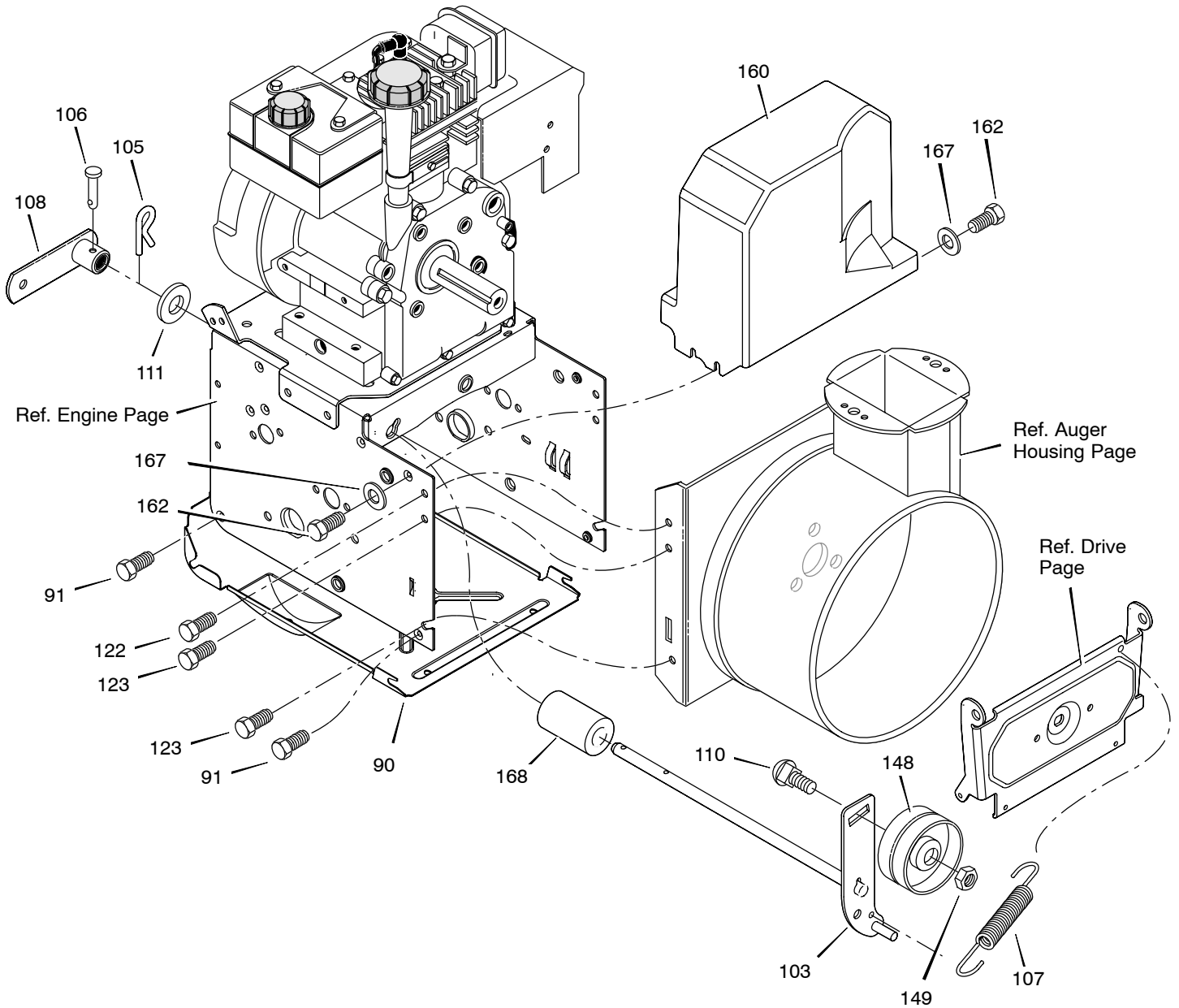
# MODEL 622505x4B

# REPAIR PARTS GEAR CASE

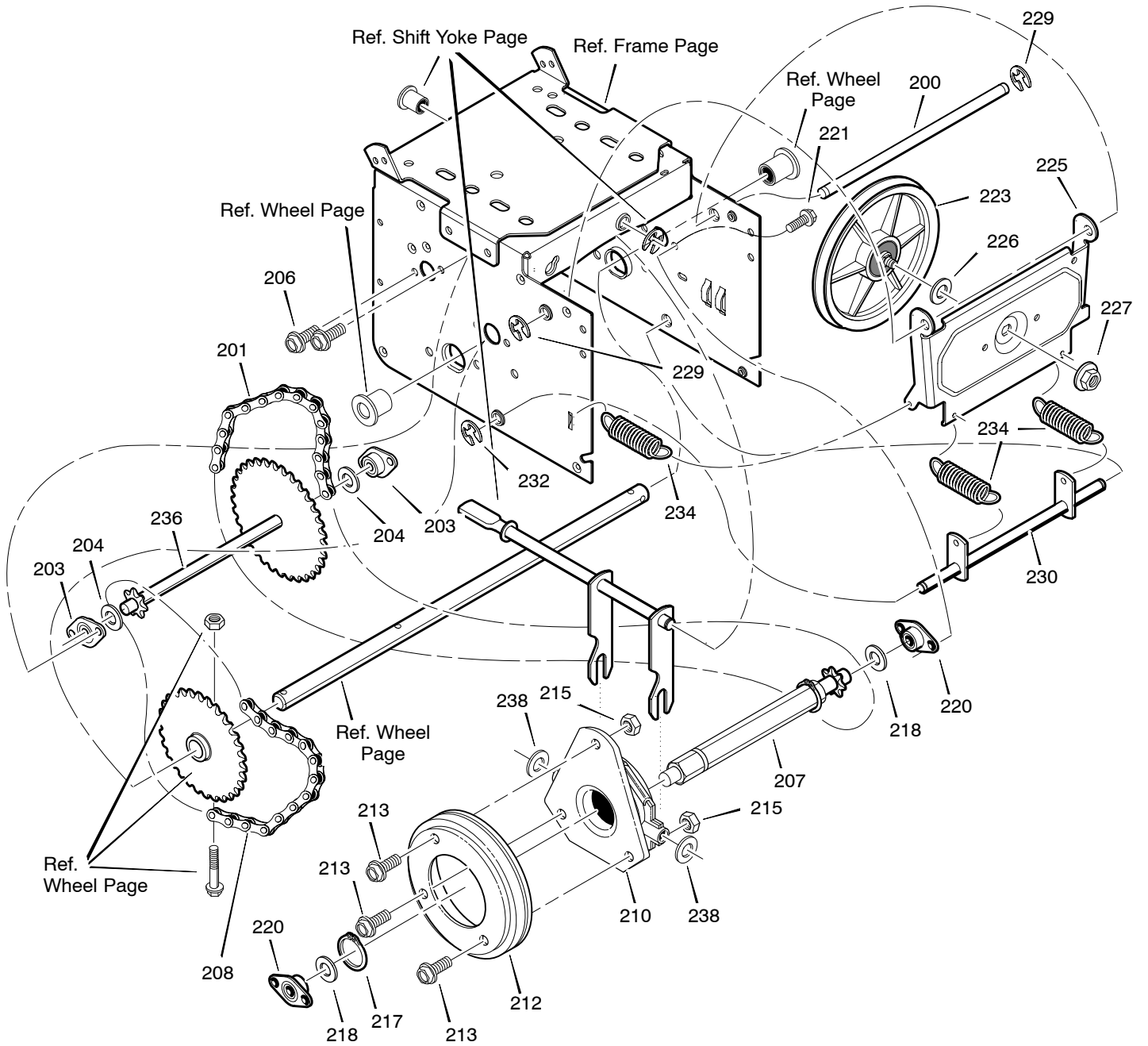


Key No.	Part No.	Description
300	10577	CASE, GEAR, RH
301	10576	CASE, GEAR, LH
303	710025	SCREW, 1/4-20X.75
304	15x143	NUT, 1/4-20
306	9344	SCREW, 3/8-16X.50
310	9566	SEAL, OIL
311	50304	BEARING, FL
312	48275	WASHER, FLAT
313	340284	SHAFT, AUGER OUTPUT
314	51279	GASKET, GEAR BOX
315	51405	GEAR, WORM
316	431787	KEY, WOODRUFF #61
320	50221	BRNG, FL
321	1501128	SHAFT, AUGER INPUT (IMPELLER)
322	580295	COLLAR, THRUST
323	454565	PIN, SPRING
324	48275	WASHER, FLAT
325	50684	BRNG, ROLL
326	50304	BRNG, FL
327	9566	SEAL, OIL
340	760194E701	IMPELLER
341	454565	PIN, SPRING
*	333431	10oz TUBE LUBRIPLATE

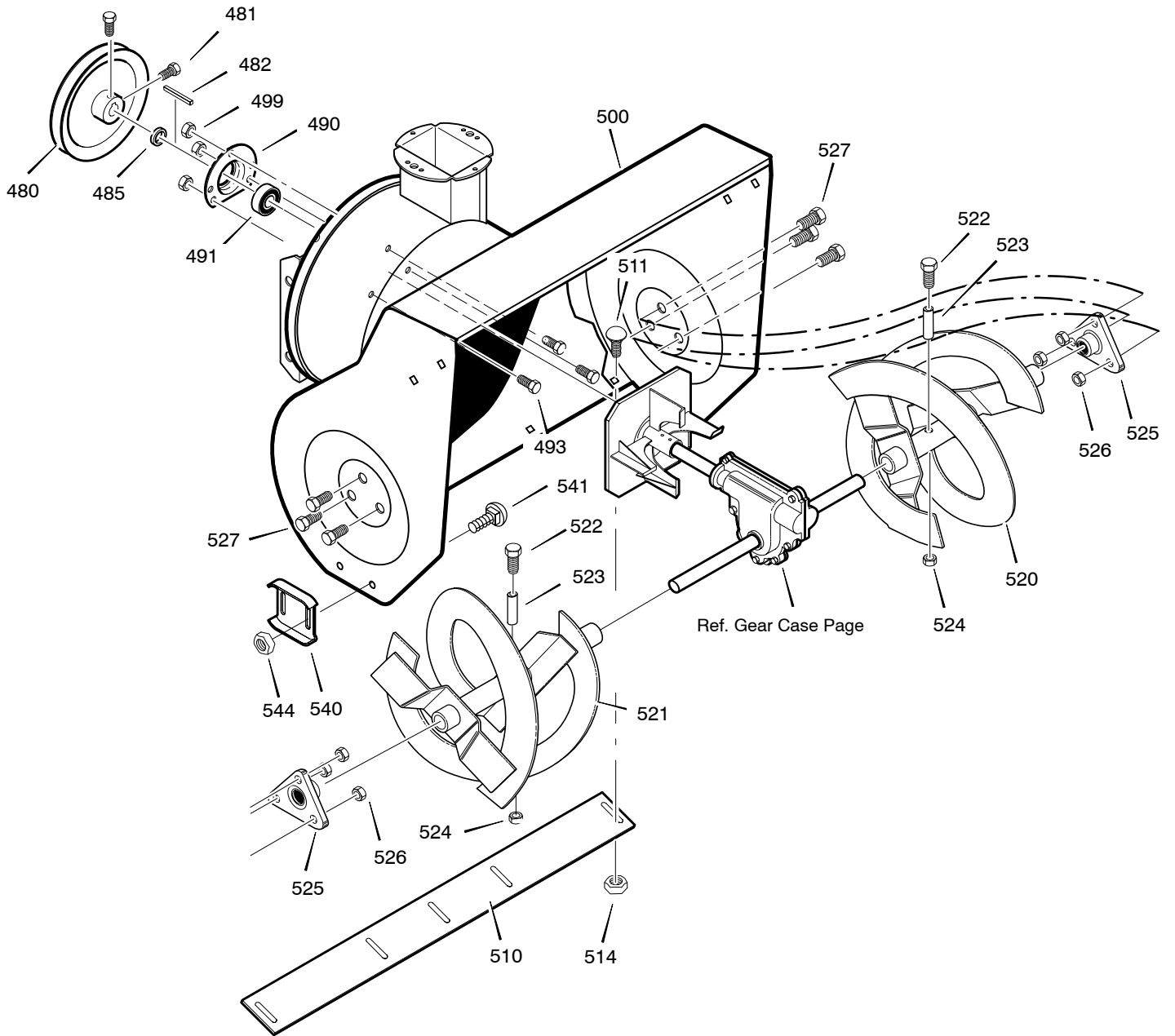
\* (NOT ILLUSTRATED)



Key No.	Part No.	Description
90	1501055E701	COVER, BOTTOM
91	310169	SCREW, 1/4-20X .63
103	1501111 YZ	IDLER ASSEMBLY, AUGER
105	711682	PIN, HAIR .38DIAx1.64LG
106	761761	PIN, CLEVIS 3/16" DIA
107	165x160	SPRING, TENSION
108	761675 YZ	ASSY., SPRING ATTACH
110	585781	BOLT, 3/8-16X1.25 CARR.
111	711617	WASHER, FLAT
122	25x021	SCREW, TAP 5/16-18 X .75
123	25x020	SCREW, TAP 5/16-18 X .50
148	50793	PULLEY, IDLER
149	590	NUT, JAM 3/8-16
160	1501053	COVER, BELT
162	26x306	SCREW, TAP
166	71067	WASHER, FLAT
168	1501200	SPACER, AUGER BRACKET



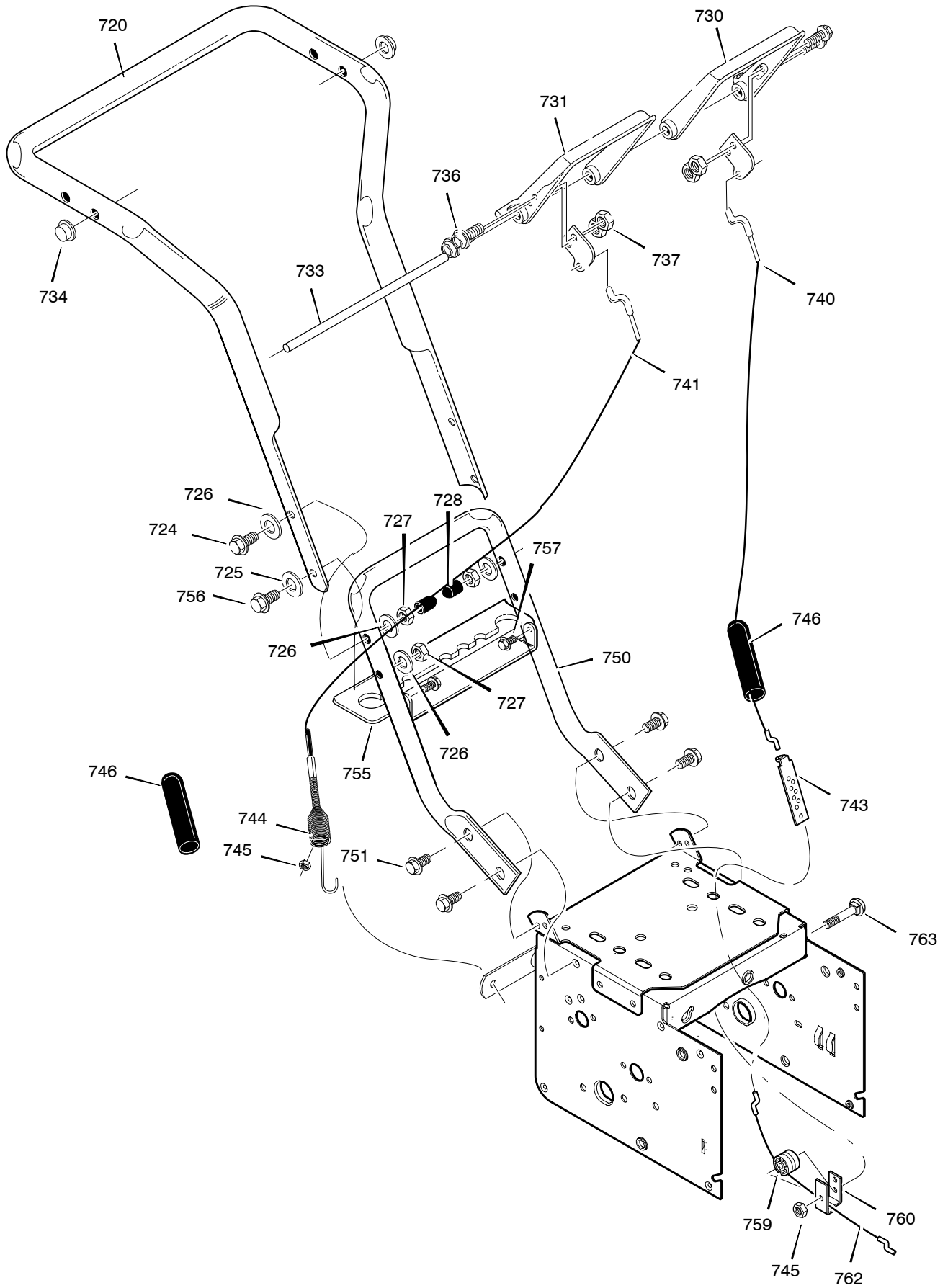
Key No.	Part No.	Description
200	1501092 YZ	LF AXLE, SWING PLATE YZ
201	579851	CHAIN, ROLLER #420x19.00
203	334163	BEARING AND RETAINER, ASSY
204	579858	WASHER
206	25x020	SCREW, TAP 5/16-18x0.5
207	1501100	ASSY, HEX SHAFT
208	579868	CHAIN, ROLLER #420x18.00 LG
210	337029	BEARING, TRUNION CLUTCH R
212	1501435	WHEEL, FRICTION DISC
213	001x38	BOLT
215	303008	NUT, KEPS HEX 1/4-20
217	579859	RING, RETEXT
218	579858	WASHER
220	334163	BEARING AND RETAINER, ASSY
221	25x020	SCREW, TAP 5/16-18 x .5
223	1501115	FRICTION PULLY
225	1501057 YZ	LF PLATE, SWINGING YZ
226	1501158	SPACER, FRICTION PULLEY
227	15X114	NUT, FLANGE LOCK 3/8-24
229	11X30	RETAINER, RING
230	1501107 YZ	LF ASSY, SPRING LINK YZ
232	11X30	RETAINER, RING
234	165x112	SPRING, EXTENSION
236	1501090	WLD, INTERMED SPROCKET 33T/7
238	71074	WASHER, FLAT



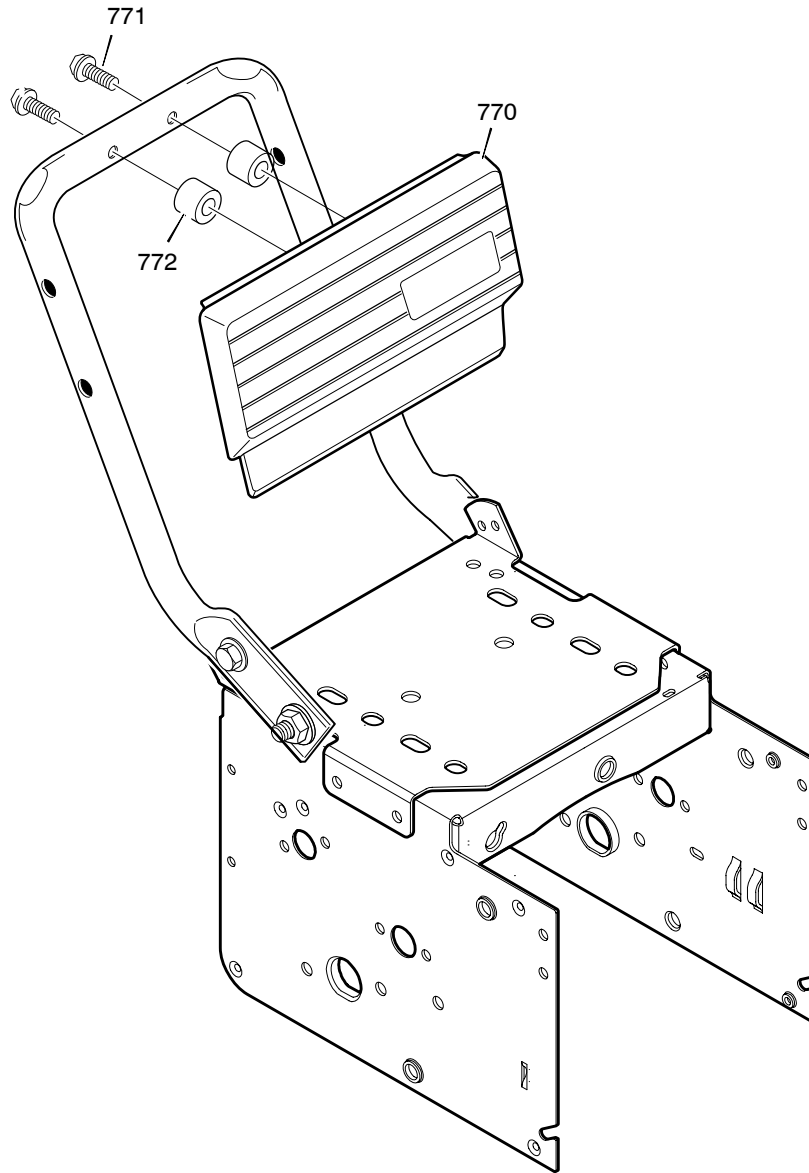
Key No.	Part No.	Description
480	762146	PULLEY, 4L 6.12X .67
481	577400	SCREW, 5/16-18X.63
482	2001022	KEY, SQUARE 3/16 X 3/4
485	1501158	SPACER, FRICTION PULLEY
490	582957 YZ	RETAINER, BALL BRNG
491	1501389	BEARING, BALL
493	001x92	BOLT, HEX 5/16-18X .50
499	710026	NUT, 5/16-18 HEXWDFLLK
500	1501160E245	HOUSING, ASSY
510	581395E701	BLADE, SCRAPER 24"
511	340714	BOLT, 1/4-20X.75
514	780285	NUT, 1/4-20
520	340520E701	AUGER, ASSY, LH
521	340525E701	AUGER, ASSY, RH
522	9524	SCREW, 1/4-20X1.75
523	3943	SPACER, SLEEVE
524	73826	NUT, 1/4-20
525	9517	BEARING,FLANGE
526	711862	NUT, 5/16-18
527	9357	SCREW, 5/16-18X .75
540	301380E701	SKID, HEIGHT ADJUST
541	340720	BOLT, 5/16-18 X .75
544	710026	NUT, 5/16-18
--	1501216	KIT, SHEAR BOLT

# MODEL 622505x4B

# REPAIR PARTS HANDLE ASSEMBLY



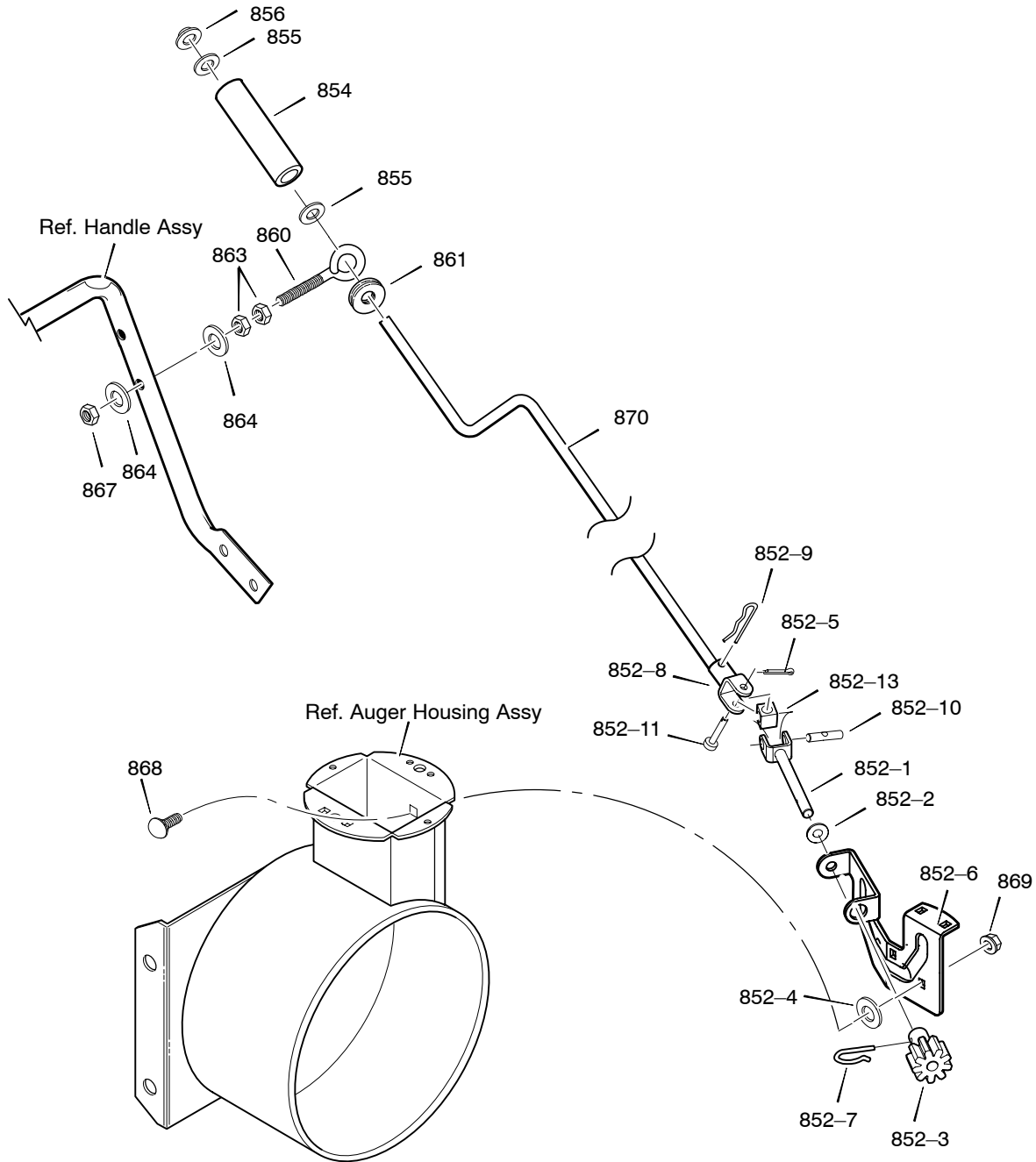
<b>Key No.</b>	<b>Part No.</b>	<b>Description</b>
720	321835E701	HANDLE
724	11234	SCREW 5/16-18 x 2.75
725	71071	WASHER, FLAT
726	71060	WASHER
727	15x144	NUT 5/16-18
728	11261	PLASTIC-STOP
730	302557	CLUTCH, LEFT HANDLE CONTROL
731	302558	CLUTCH, RIGHT HANDLE CONTROL
733	12621 YZ	ROD, PIVOT HANDLE
734	3535	PUSH ON CAP
735	302620E701	PLATE, CABLE PIVOT
736	303108	SCREW 1/4-20 x 0.88
737	73826	NUT 1/4-20
740	1501123	CABLE, CLUTCH
741	761589	CABLE, AUGER CLUTCH
743	313441	BRKT, CABLE ADJUST
744	1673	SPRING, AUGER CLUTCH
745	15x145	LOCKNUT
746	308146	BOOT, CLUTCH SPRING
750	339541E701	HANDLE, LOWER
751	25x021	SCREW 5/16-18 x 0.75
752	71060	WASHER
755	337407E701	BRACKET, GEAR SELECTOR
756	6751	SCREW, .31-18 x 2.00
757	310169	SCREW, 1/4-20 X 0.62
759	579860	SPOOL-CABLE, AUGRT CLUTCH
760	1501059 YZ	BRACKET, CABLE SPOOL YZ
762	1501122	CABLE, LOWER DRIVE 12"
763	001798	BOLT, HEX 1/4-20 X 1.50 YZ



<b>Key No.</b>	<b>Part No.</b>	<b>Description</b>
770	584559	PANEL
771	341026	SCREW
772	3943	SPACER, SLEEVE

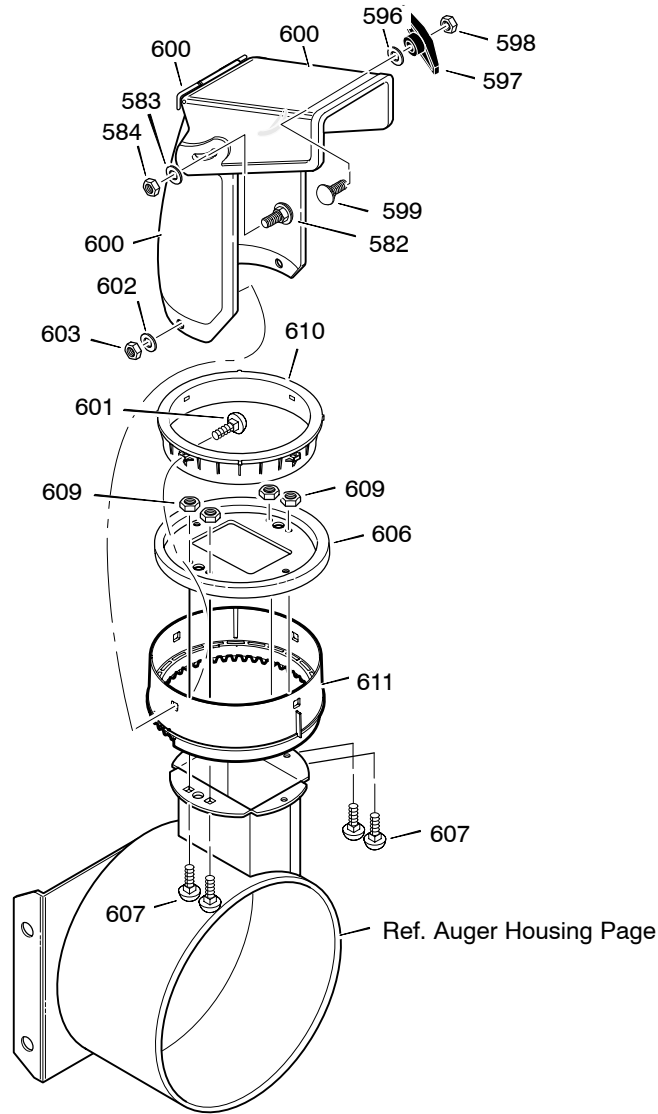
# MODEL 622505x4B

# REPAIR PARTS CHUTE ROD



Key No.	Part No.	Description
852-1	1501309 YZ	ASSEMBLY, YOKE & ROD
852-2	313431	WASHER, CURVED SPRING
852-3	1501067	GEAR, CHUTE ROTATION 9T
852-4	17x170	WASHER
852-5	579493	PIN, COTTER
852-6	1501306E701	BRACKET, GEAR MOUNT
852-7	1501293	PIN, HAIR
852-8	1501075 YZ	ASSEMBLY, YOKE ADAPTER YZ
852-9	711682	PIN, HAIR
852-10	578060	PIN, UNIVERSAL JOINT
852-11	578309	PIN, CLEVIS
852-13	578063	HOUSING, UNIVERSAL

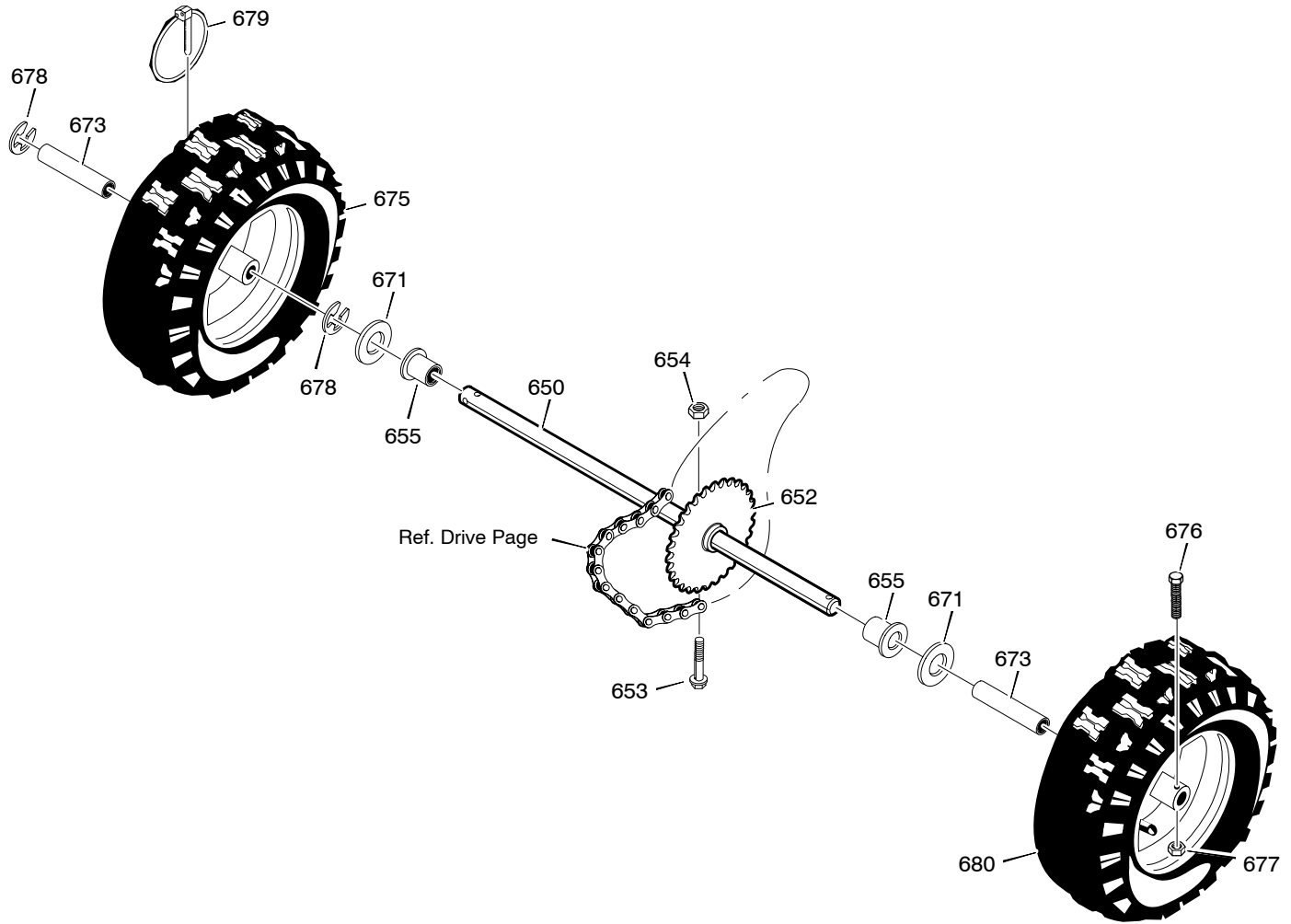
Key No.	Part No.	Description
854	51443	KNOB, SLEEVE
855	309312	FLATWASHER
856	73664	NUT, PUSH ON 3/8"
860	581618	EYE BOLT 3/8-16X6.00
861	148	GROMMET, EYE BOLT
863	71045	NUT, 3/8-16 HEXJAM
864	71072	FLATWASHER .406X.81X.066
867	71046	NUT, 3/8-16 HEXNYL
868	002x98	BOLT, CARRIAGE 1/4-20 X 1.00
869	15x145	NUT
870	1501074 YZ	CRANK, ASSY CHUTE



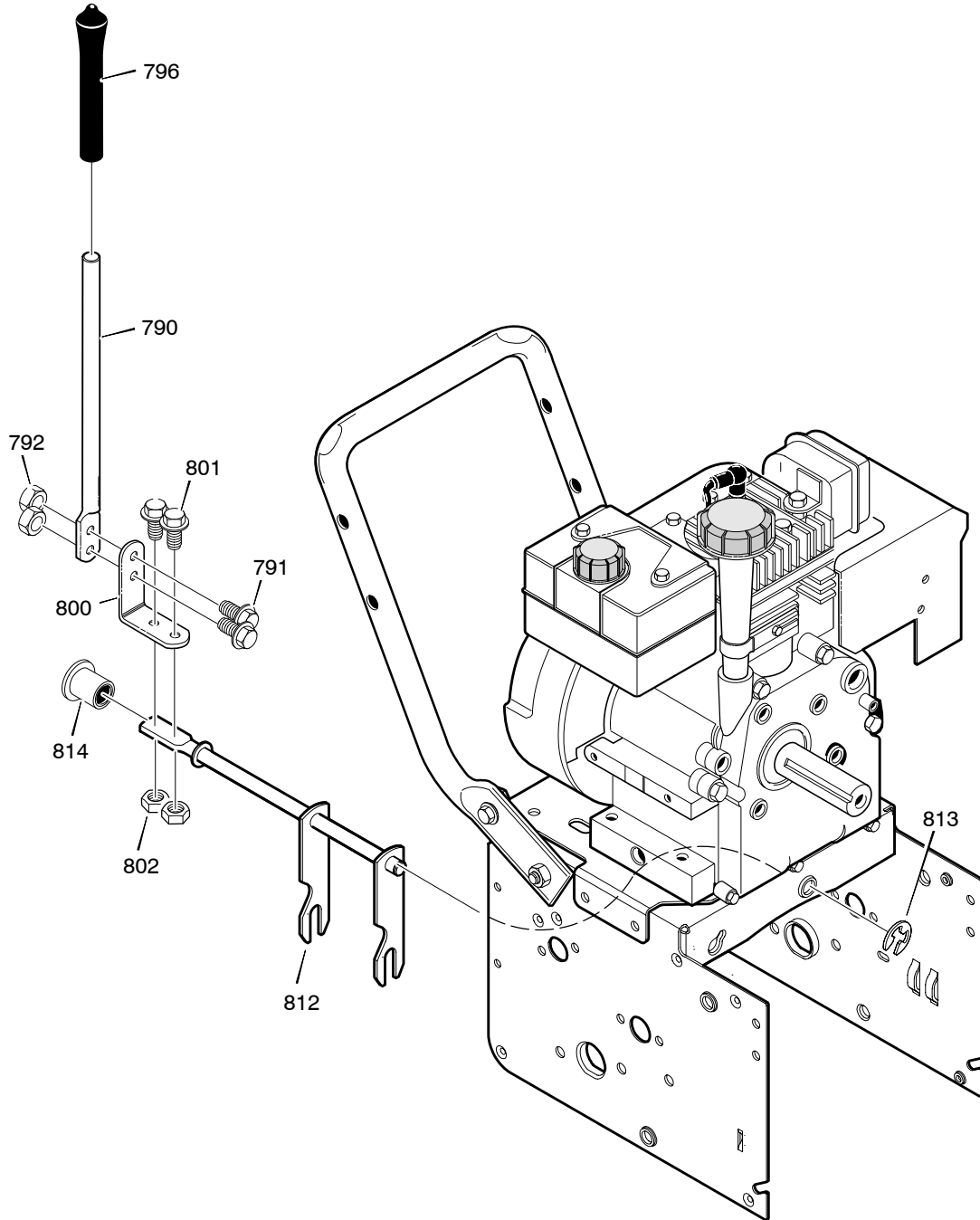
Key No.	Part No.	Description
582	2x100	SCREW, 5/16-18 X 1.00
583	71071	WASHER, FLAT
584	71038	NUT, 5/16-18
596	71071	WASHER
597	57171	KNOB, T 3.00
598	15x144	NUT, 5/16-18
599	2x100	BOLT, 5/16-18X1.00
600	762222	CHUTE ASSEMBLY
601	002x97	BOLT, 5/16-18
602	71071	WASHER, FLAT
603	71038	NUT, 5/16-18
606	1501932 YZ	CHUTE COLLAR
607	02x101	SCREW, 1/4-20 X 0.75
609	15X145	NUT, 1/4-20 HEX NYLOCK
610	337227	RETAINER RING INNER
611	1501282	RETAINER RING OUTER

# MODEL 622505x4B

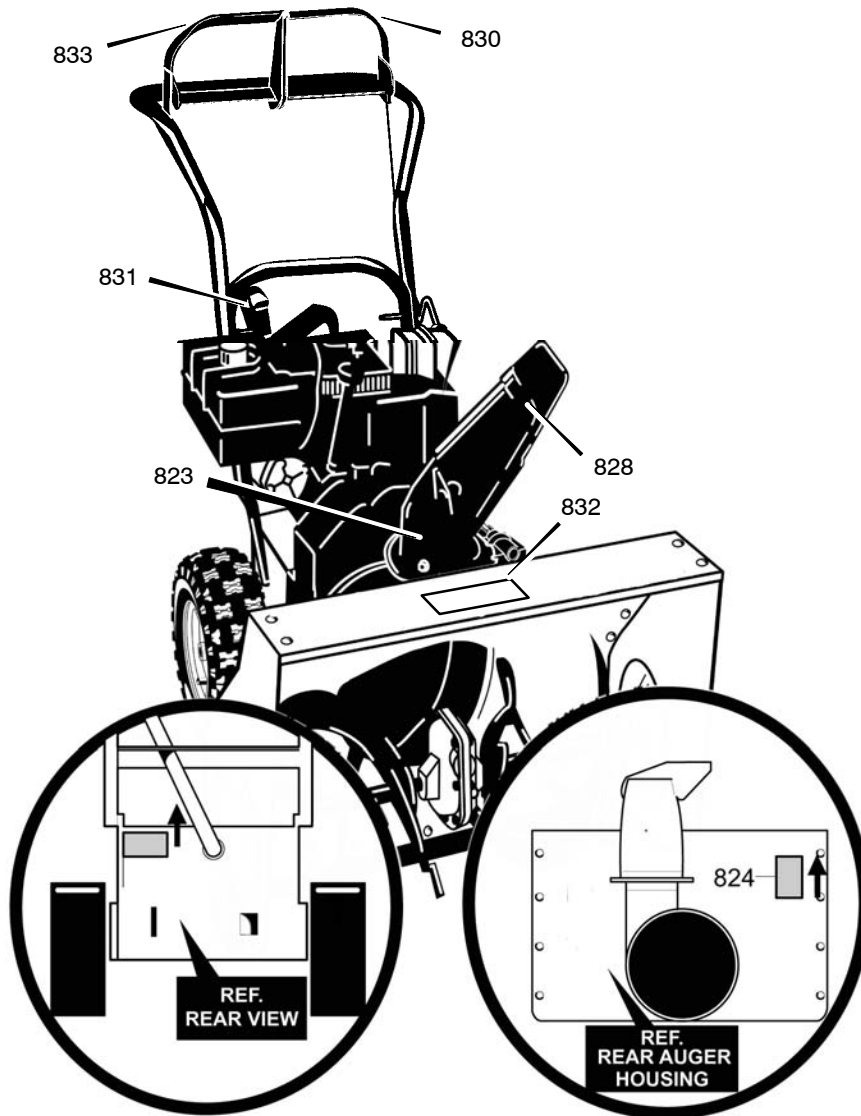
# REPAIR PARTS WHEELS



Key No.	Part No.	Description
650	1501562	SHAFT, AXLE
652	1501089	SPRKT & HUB
653	01x193	SCREW, 1/4-20 x 1.75
654	15x145	NUT, 1/4-20 HEX NYLOCK
655	1501114	BEARING, AXLE
671	712120	FLATWASHER
673	1501139	BUSHING, WHEEL
675	1501828	TIRE & RIM, RIGHT
676	577015	SCREW, 1/4-20X1.75 HH
677	15x145	NUT, 1/4-20 HEX NYLOCK
678	239	RING, RET
679	73842	PIN, KLIK .25 X 1.38 DIA
680	1501829	TIRE & RIM, LEFT



Key No.	Part No.	Description
790	336702E701	ROD, SHIFT
791	302628	SCREW, 1/4-20X.75
792	73826	NUT, 1/4-20
796	331624	GRIP
800	760564	LEVER, SPRING
801	302628	SCREW, 1/4-20X.75
802	73826	NUT, 1/4-20
812	1501085 YZ	ROD ASSY., SPEED SELECT
813	11X30	RETAINER, RING
814	579944	BEARING, FLANGED



Key No.	Part No.	Description
823	48x5581	DECAL, DANGER CHUTE HAND
824	48x2037	DECAL, DANGER FOOT
828	48x5579	DECAL, THROWN OBJECTS
830	586402	DECAL, TRACTION DRIVE
831	340568	DECAL, GEAR SELECTOR
832	48x5574	DECAL, MURRAY 5/22
833	48x5283	DECAL, AUGER DRIVE
*	5131	DECAL, BELT STRETCH *
*	48x5630	DECAL, HANDLE PANEL
*	950838	DECAL, OVER ADJ *

\* NOT ILLUSTRATED

**MURRAY, INC. LAWN MOWER CENTRAL PARTS DISTRIBUTORS**  
**DISTRIBUTEURS RÉGIONAUX DE PIÈCES MURRAY, INC.**

**BILLIOU'S, INC.**

1343 South Main St.  
Porterville, CA. 93257  
(559) 784-4102 1-877-245-5468  
FAX 1-800-226-7337  
www.billious.com  
**Arizona, California, Hawaii, Nevada**

**BROWN & WISER, INC.**

9991 S.W. Avery Street  
Tualatin, OR. 97062  
(503) 692-0330 1-800-882-4782  
FAX (503) 691-2041  
**Alaska, Idaho** (counties Ada, Adams, Benewah, Boise, Bonner, Boundry, Canyon, Clearwater, Elmore, Gem, Idaho, Kooten, Latah, Lewis, Nez Perce, Owyee, Payette, Ravalli, Shoshone, Valley, Washington), **Montana** (counties Flathead, Lake, Lincoln, Mineral, Missoulo, Ravalli, Sanders), **Oregon, Washington**

**CPT CANADA POWER TECHNOLOGY LIMITED**

**Mississauga**  
161 Watline Avenue  
Mississauga, Ontario  
L4Z-1P2  
(905) 890-6900 1-800-861-9559

**Edmonton**

101-10411-178th Street  
Edmonton, Alberta  
T5S 1R5  
(780) 453-5791 1-800-861-9559

**Ville St-Laurent**

234 Migneron Street  
Ville St-Laurent, Quebec  
H4T 1Y7  
(514) 731-3559 1-800-861-9559  
**Canada**

**FRANK EDWARDS CO.**

3626 Parkway Blvd.  
West Valley, UT 84120  
1-800-318-0201  
FAX 1-801-736-8067  
**Colorado, Idaho** (counties Bannock Bearlake, Bingham, Blaine, Booneville, Butte, Camas, Caribou, Cassia, Custer, Franklin, Fremont, Gooding, Jefferson, Jerome, Lemhi, Lincoln, Madison, Minidoka, Oneida, Power, Teton, Twin Falls) **Montana** (all counties except Flathead, Lake, Lincoln, Mineral, Missoulo, Ravalli, and Sanders), **Utah, Wyoming**

**GARDNER, INC.**

3641 Interchange Road  
Columbus, OH. 43204  
1-800-848-8946  
FAX 1-800-626-4735  
**Alabama, Arkansas, Connecticut, Delaware, District of Columbia, Florida, Georgia, Illinois, Indiana, Kentucky, Louisiana, Maine, Maryland, Massachusetts, Michigan** (except upper Peninsula), **Mississippi, New Hampshire, New Jersey, New York, North Carolina, Ohio, Pennsylvania, Rhode Island, South Carolina, Tennessee, Vermont, Virginia, West Virginia**

**Puerto Rico**

**GULF COAST ENGINE, INC.**

4202 Russell Dr.  
Corpus Christi, TX. 78408  
1-800-825-6999  
FAX 1-888-888-7036  
**New Mexico, Oklahoma, Texas, Mexico**

**OSCAR WILSON ENGINE & PARTS, INC. ENGINE, INC.**

826 Lone Star Drive.  
O'Fallon, MO 63366  
1-800-873-6722 or 1-634-978-1313  
FAX: 1-800-873-6720  
**Arkansas, Iowa, Kansas, Missouri, Nebraska**

**WISCONSIN MAGNETO, INC.**

1000 W. Donges Bay Road  
Suite 100  
Mequon, WI 53092-5920  
1-800-733-7388  
FAX 1-800-733-0127  
**Michigan** (upper Peninsula), **Minnesota, North & South Dakota, Wisconsin**